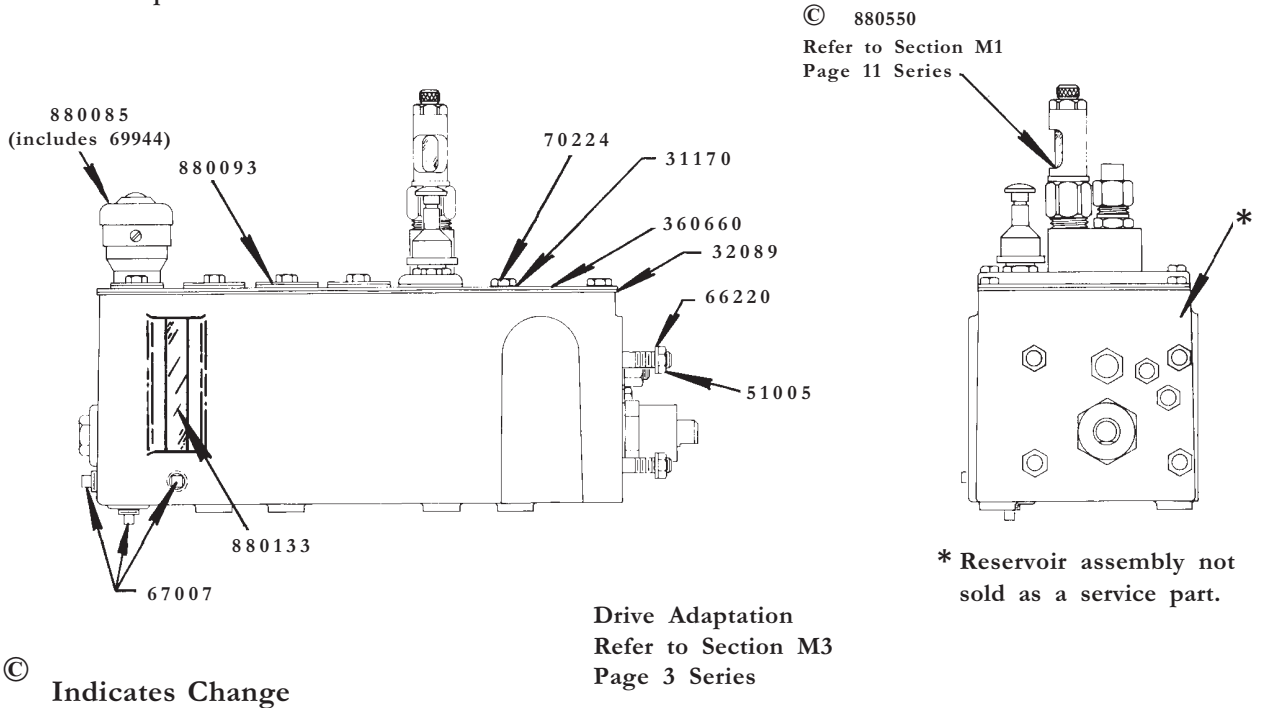


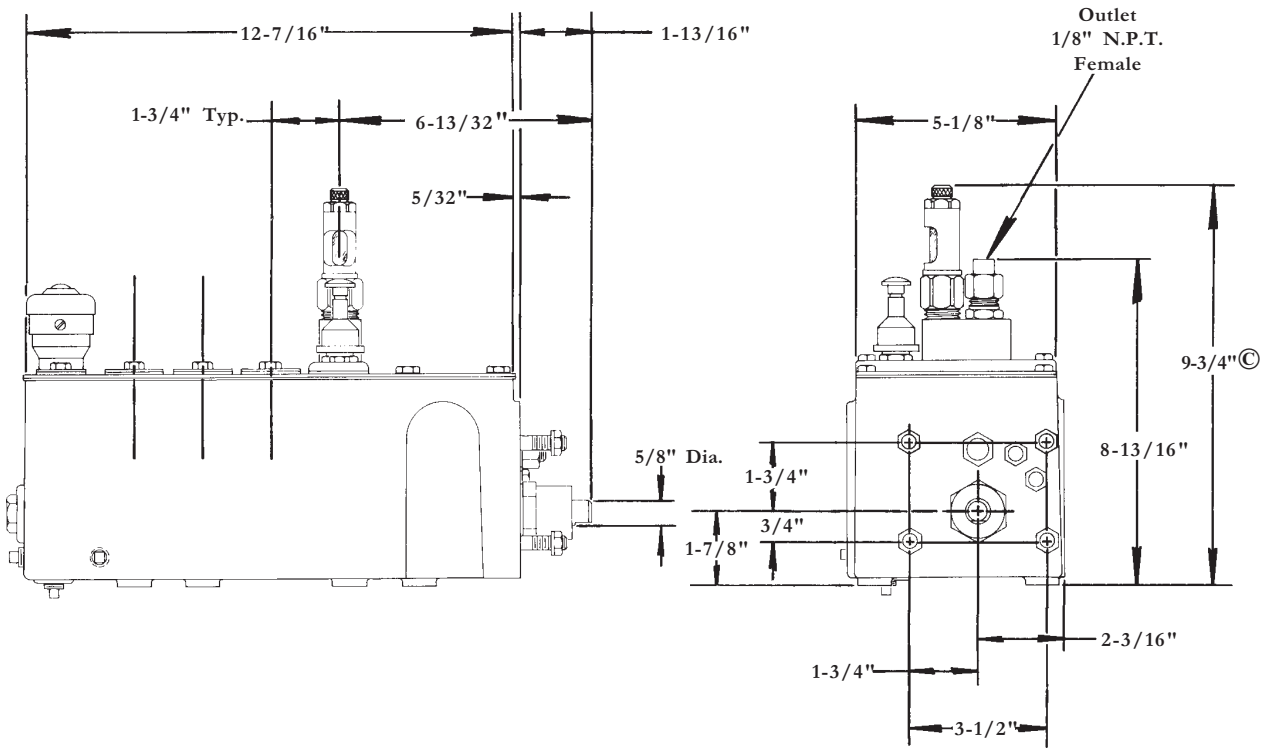
NOTE: Part numbers listed on this page are correct, although drawings may not accurately illustrate current production components.

R.H. End Drive
37.5:1 Ratio
2 QT. Reservoir



SERVICE PARTS

PART	QTY	DESCRIPTION
31170	4	Washer
32089	1	Cover gasket
51005	4	Hex. nut
66220	4	Lockwasher
67007	3	Drain plug
69944	1	Strainer
70224	4	Screw
360660	1	Cover plate
880085	1	Filler assembly
880093	As req'd	Slot cover assembly
880133	1	Gauge glass assembly
880550	As req'd	Model "55i" pump



RETAIN THIS INFORMATION FOR FUTURE REFERENCE

When ordering replacement parts, list: Part Number, Description, Model Number, and Series Letter.

LINCOLN provides a Distributor Network that stocks equipment and replacement parts.