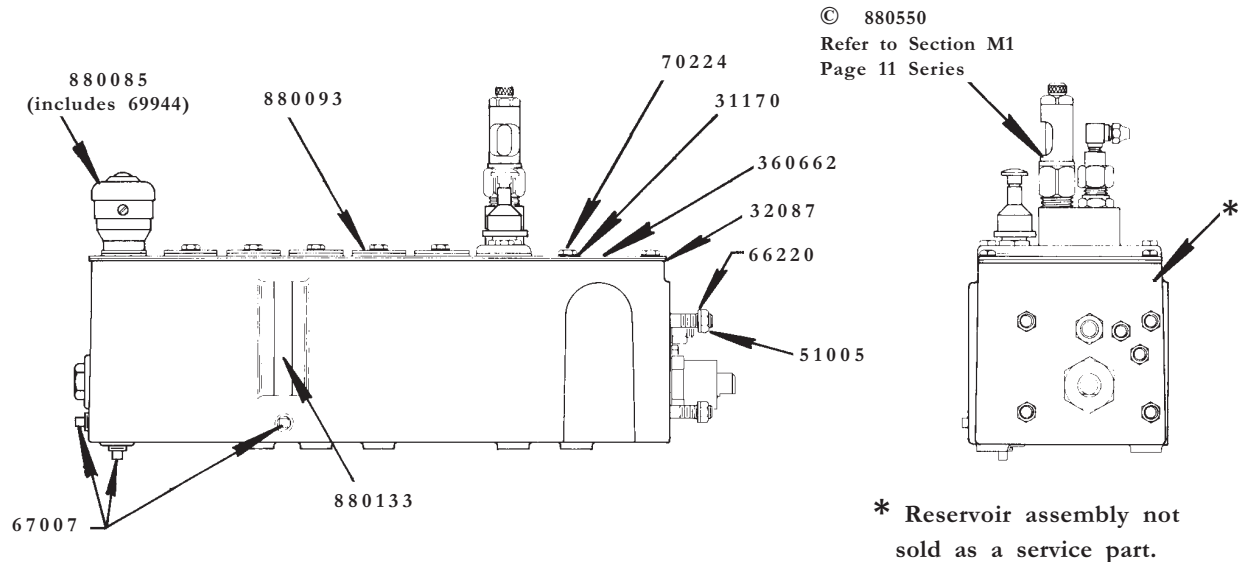


**NOTE:** Part numbers listed on this page are correct, although drawings may not accurately illustrate current production components.

R.H. End Drive  
37.5:1 Ratio  
1 Gallon Reservoir

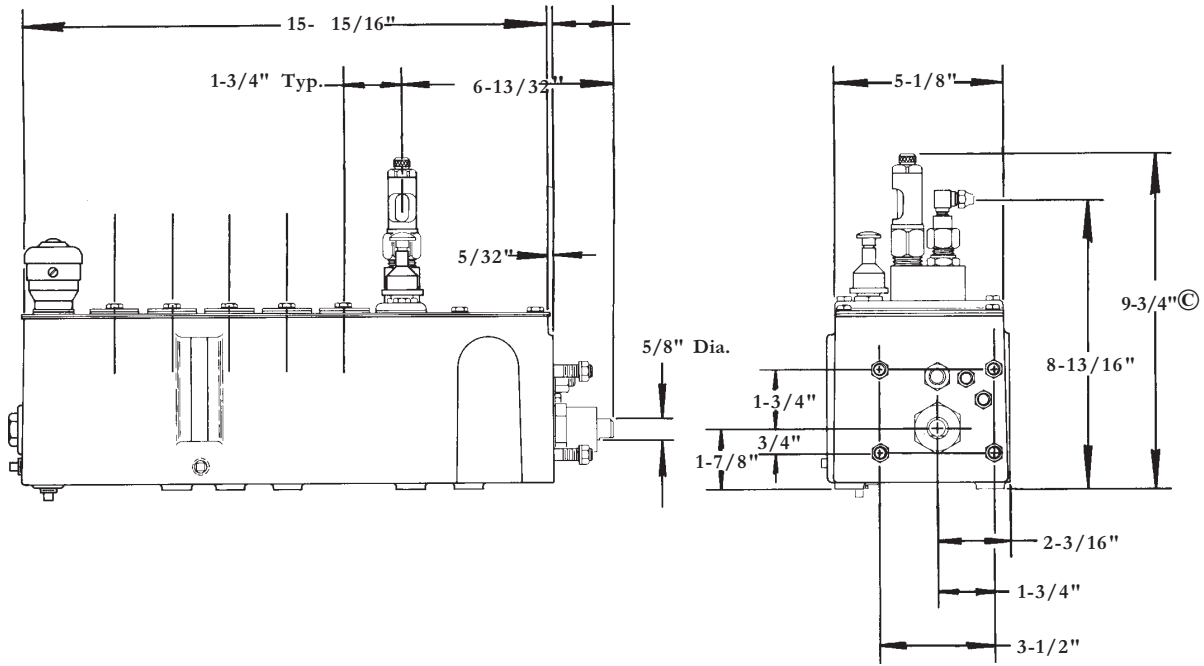


© Indicates Change

Drive Adaptation  
Refer to Section M3  
Page 3 Series

## SERVICE PARTS

PART	QTY	DESCRIPTION
31170	4	Washer
32087	1	Cover gasket
51005	4	Hex. nut
66220	4	Lockwasher
67007	3	Drain plug
69944	1	Strainer
70224	4	Screw
360662	1	Cover plate
880085	1	Filler assembly
880093	As req'd	Slot cover assembly
880133	1	Gauge glass assembly
880550	As req'd	Model "55i" pump



**RETAIN THIS INFORMATION FOR FUTURE REFERENCE**

When ordering replacement parts, list: Part Number, Description, Model Number, and Series Letter.

LINCOLN provides a Distributor Network that stocks equipment and replacement parts.