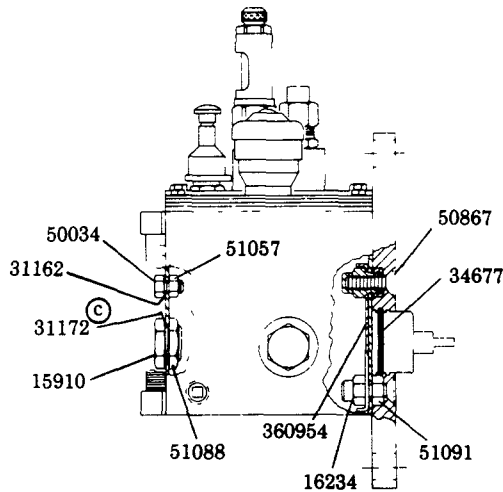
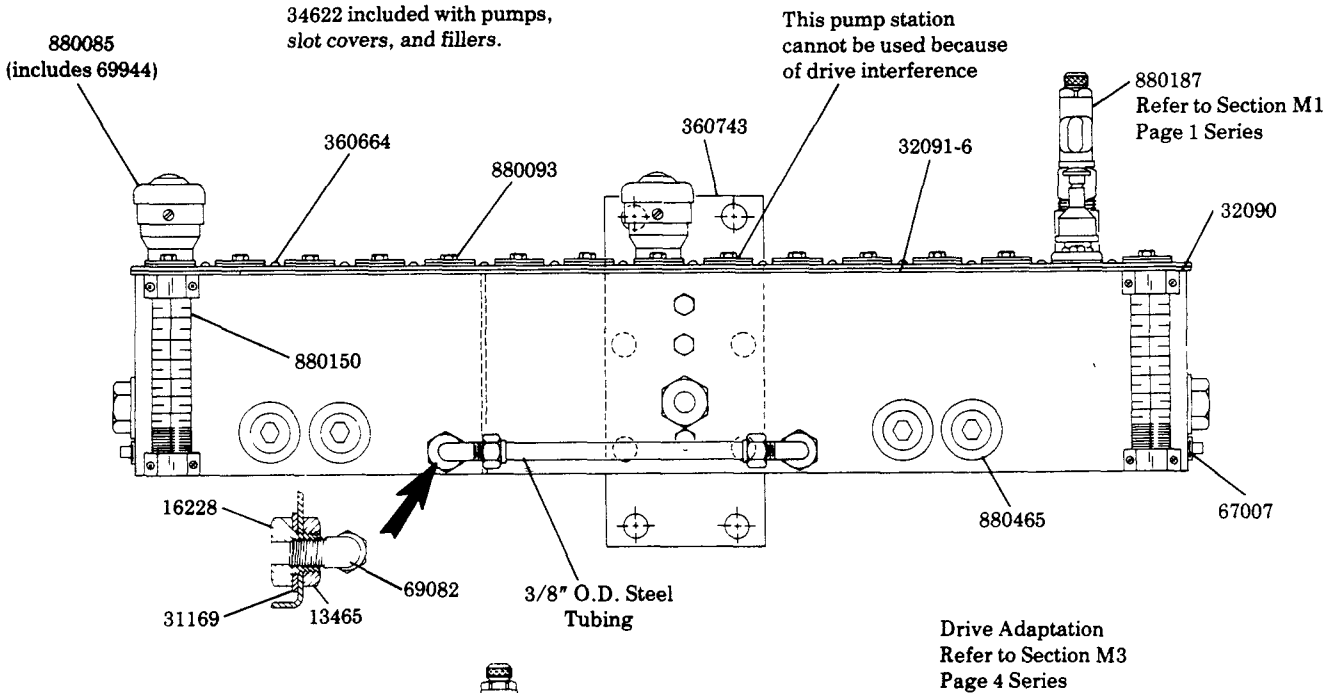


**LUBRICATOR**  
**CENTER INTERNAL REAR ROTARY DRIVE**  
**375 : 1 RATIO**  
**2 GALLON RESERVOIR**



**Model 80022 SERIES**

**Series "C"**



© Indicates change

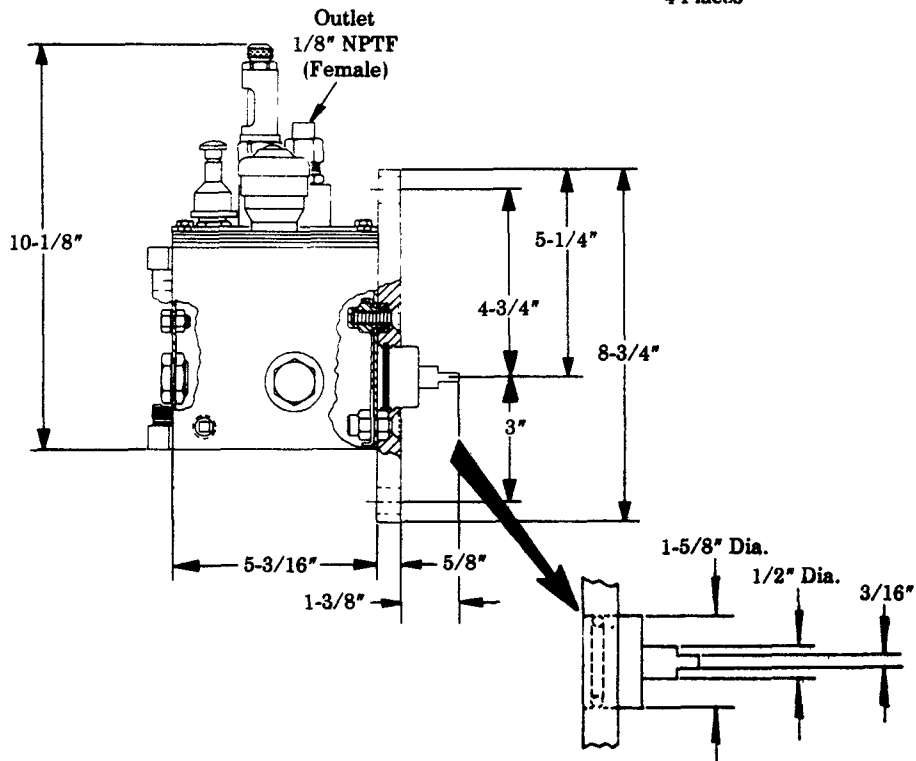
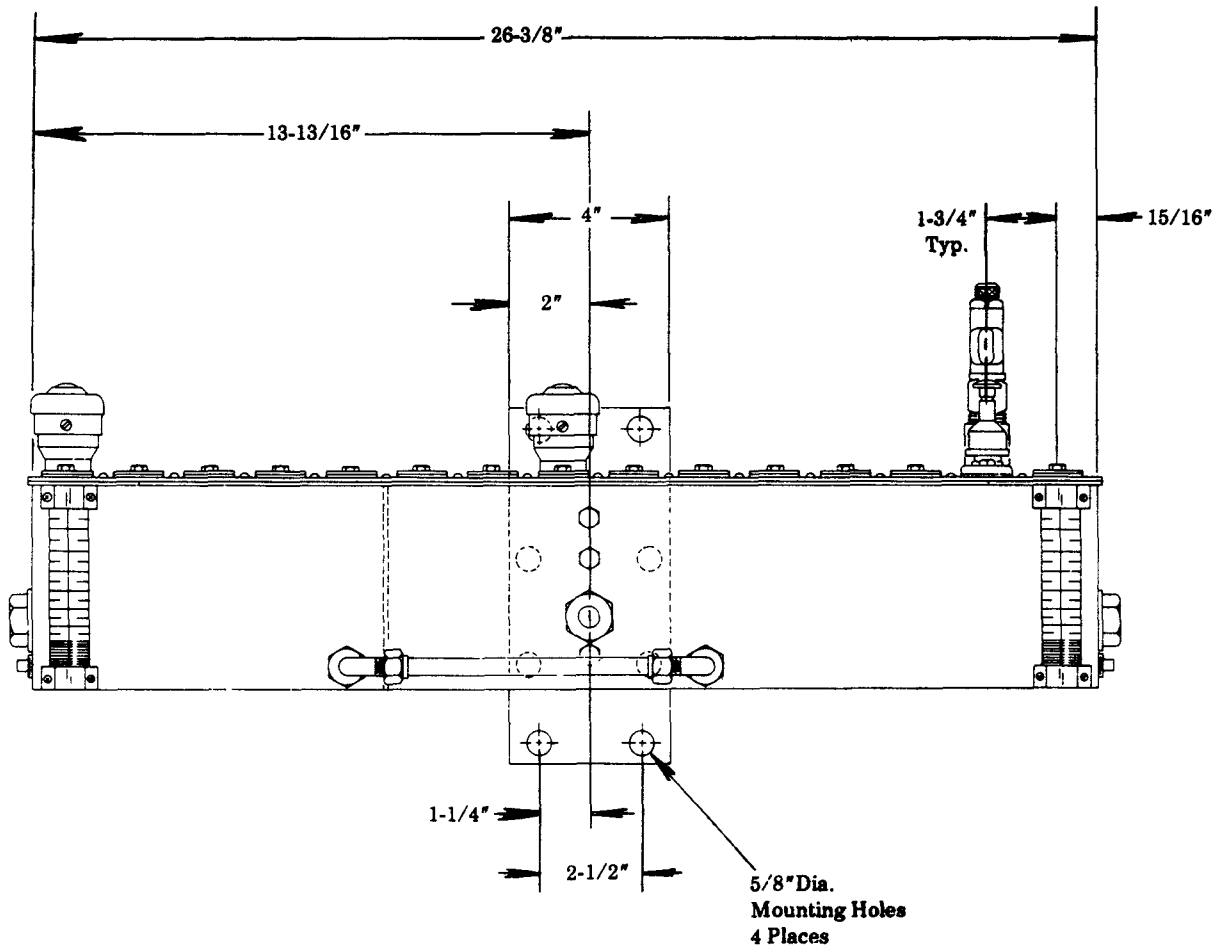
**SERVICE PARTS**

PART	QUAN.	DESCRIPTION	PART	QUAN.	DESCRIPTION	PART	QUAN.	DESCRIPTION
13465	2	Nut	34622	As Req'd.	Gasket	69944	2	Strainer
15910	1	Plug	34677	1	O-ring	360664	1	Cover plate
16228	2	Drain boss	50034	1	Screw	360743	1	Mounting plate
16234	4	Stud screw	50867	4	Screw	360954	2	Mounting strip
31162	1	Washer	51057	1	Nut	880085	2	Filler assembly
31169	2	Washer	51088	1	Nut	880093	As Req'd.	Slot cover assembly
31172	1	Washer	51091	4	Nut	880150	2	Gauge glass assembly
32090	2	Cover gasket end	67007	2	Drain plug	880187	As Req'd.	Model '55' pump assembly
32091-6	2	Cover gasket strip	69082	2	Elbow tube connector	880465	4	Heater hole closure assembly

**LINCOLN ST. LOUIS**  
 4010 GOODFELLOW BLVD. • ST LOUIS, MO 63120 • (314) 383-5900



SECTION **-M2**  
 PAGE **-8B**



**RETAIN THIS INFORMATION FOR FUTURE REFERENCE**

When ordering replacement parts, list: Part Number, Description, Model Number, and Series Letter.  
 LINCOLN ST. LOUIS provides a Distributor Network that stocks equipment and replacement parts.