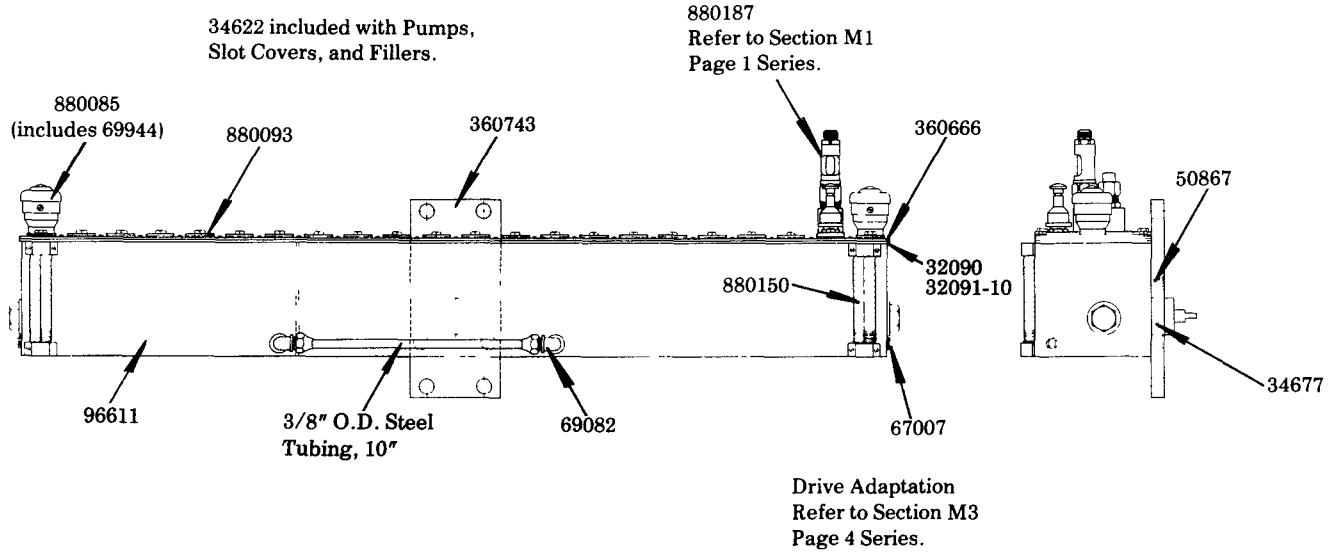


LUBRICATOR
CENTER INTERNAL REAR ROTARY DRIVE
375 : 1 RATIO
3 GALLON RESERVOIR



800023 SERIES

Series " B "



SERVICE PARTS

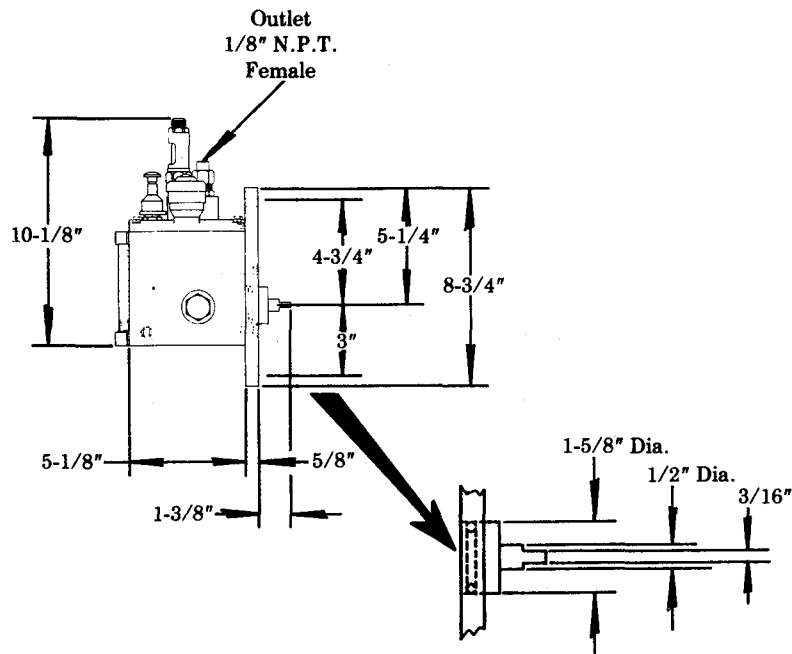
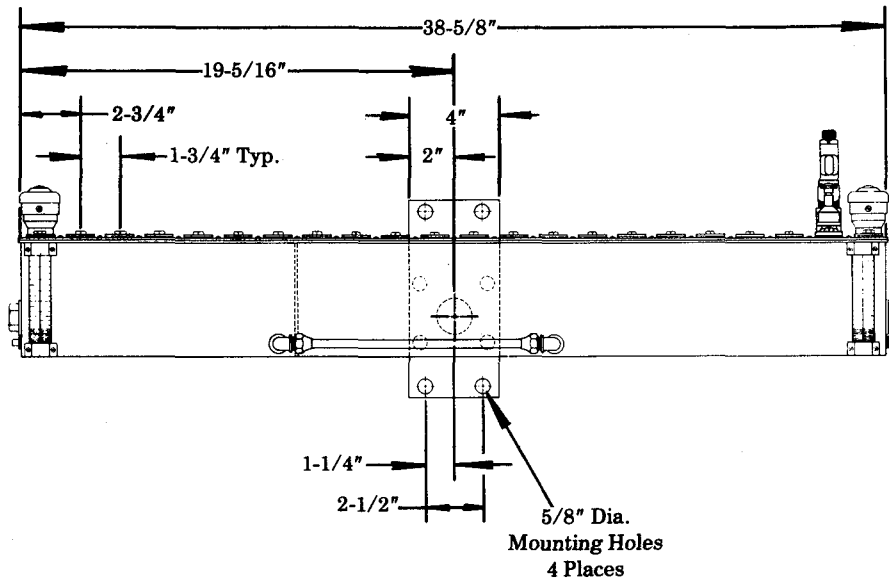
PART NO.	QUAN.	DESCRIPTION
32090	2	Cover gasket end
32091-10	2	Cover gasket strip
34622	As Req'd.	Gasket
34677	1	O-ring
50867	4	Screw
67007	2	Drain plug
69082	2	Elbow
69944	2	Strainer
96611	1	Reservoir
360666	1	Cover plate
360743	1	Mounting plate
880085	2	Filler assembly
880093	As Req'd.	Slot cover assembly
880150	2	Gauge glass assembly
880187	As Req'd.	Model "55" pump

LINCOLN ST. LOUIS
 4010 GOODFELLOW BLVD · ST LOUIS, MO 63120 · (314) 383-5900



A DIVISION OF
McNEIL
 CORPORATION

SECTION - **M2**
 PAGE - **9A**



RETAIN THIS INFORMATION FOR FUTURE REFERENCE

When ordering replacement parts, list: Part Number, Description, Model Number, and Series Letter.

LINCOLN ST. LOUIS provides a Distributor Network that stocks equipment and replacement parts.