

# MCLP PUMP ASSEMBLY WITH MOTOR



## Model 130041

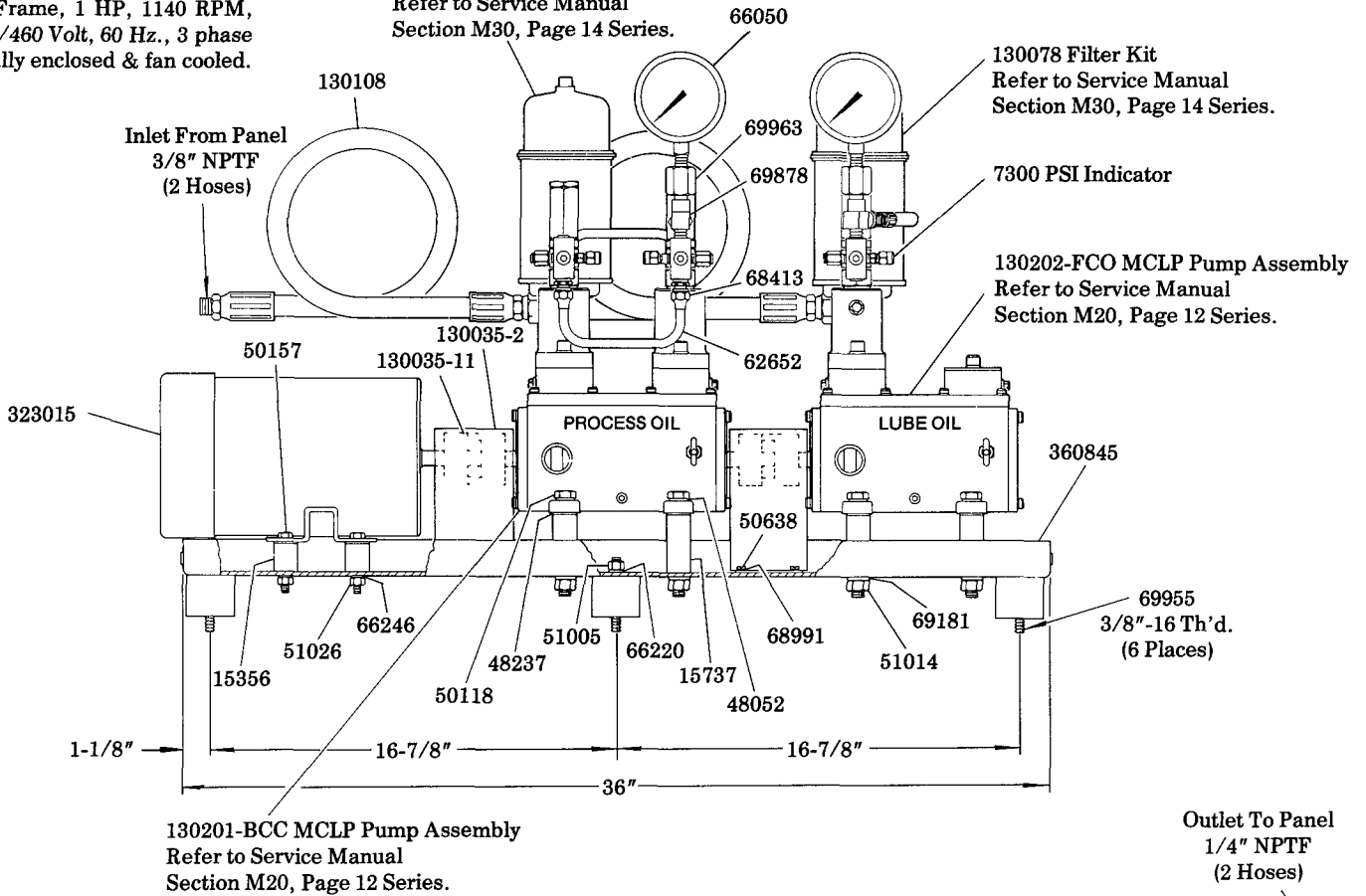
## Series "C"

### SPECIFICATIONS:

56 Frame, 1 HP, 1140 RPM,  
230/460 Volt, 60 Hz., 3 phase  
totally enclosed & fan cooled.

130067 Filter Kit  
Refer to Service Manual  
Section M30, Page 14 Series.

130078 Filter Kit  
Refer to Service Manual  
Section M30, Page 14 Series.



130201-BCC MCLP Pump Assembly  
Refer to Service Manual  
Section M20, Page 12 Series.

Outlet To Panel  
1/4" NPTF  
(2 Hoses)

### NOTE

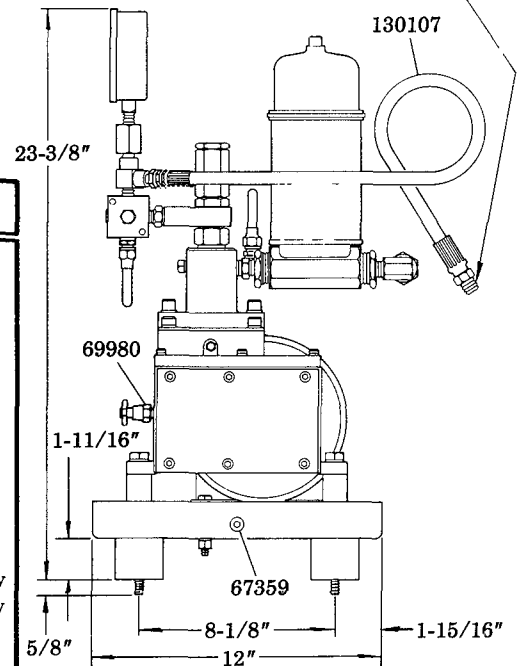
When reassembling motor, coupling & MCLP pump, position cams so that pumps do not operate at same time.

### PUMP OUTPUT RANGE

Process Oil-  
7.3 to 78.1 pints per hour.  
Lube Oil-  
1.9 to 10.2 pints per hour.

### SERVICE PARTS

PART	QUAN.	DESCRIPTION	PART	QUAN.	DESCRIPTION
15356	4	Spacer (short)	68991	8	Lockwasher
15737	8	Spacer (long)	69181	8	Lockwasher
48052	8	Washer	69878	2	Pipe tee
48237	As Req'd.	Washer	69955	6	Vibration pad
50118	8	Screw	69963	2	Gauge snubber
50157	4	Screw	69980	2	Drain cock
50638	8	Screw	130035-2	2	Coupling guard
51005	6	Nut	130035-11	2	Coupling
51014	8	Nut	130067	1	Filter kit
51026	4	Nut	130078	1	Filter kit
62652	1	Tube	130107	2	High pressure hose
66050	2	Pressure gauge	130108	2	Supply hose
66220	6	Lockwasher	130201BCC	1	MCLP Pump assembly
66246	4	Lockwasher	130202FCO	1	MCLP Pump assembly
67359	2	Pipe plug	323015	1	Electric motor
68413	2	Connector	360845	1	Mounting bracket



**LINCOLN ST. LOUIS**  
4010 GOODFELLOW BLVD · ST. LOUIS, MO 63120 · (314) 383-5900



**SECTION -M20**  
**PAGE -10A**