

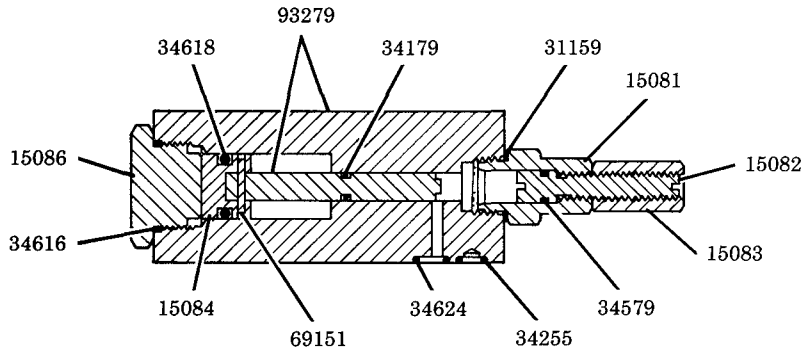
# LP-1060 HYDRAULIC PUMP

DOUBLE ACTING HYDRAULIC CYLINDER  
FOR PETROLEUM BASE FLUIDS & LUBRICANTS

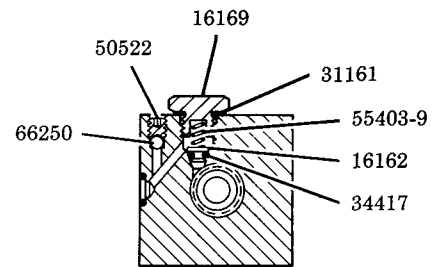
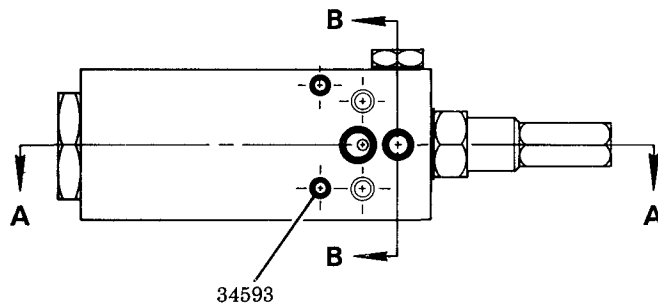


# Model 87212

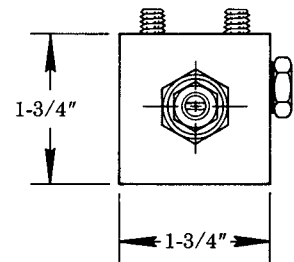
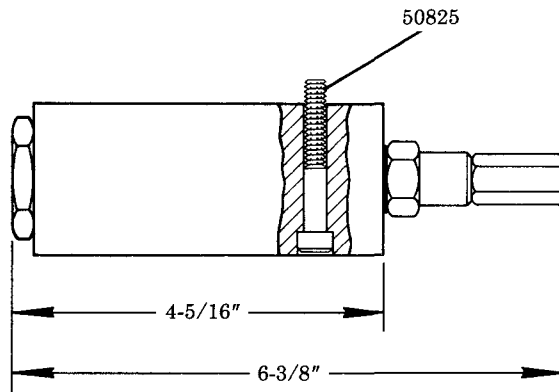
# Series "B"



**SECTION A-A**



**SECTION B-B**



## OPERATION

Model 87212 LP-1060 Pump is a hydraulically operated single acting pump with a double acting hydraulic cylinder requiring a four-way valve and a timer for operation. Hydraulic pressure powers the piston on the delivery stroke and returns it to priming position. A ratio of 5:1, lubricant to hydraulic pressure, is developed using a minimum hydraulic pressure of 200 psi and a maximum of 600 psi. The pump can operate at a maximum of 30 strokes per minute with oil, 22 strokes per minute with grease.

Lubricant output is adjustable from .010-.060 cu. in. per stroke. One complete turn of the adjustment screw will change the lubri-

cant output by .003 cu. in. per stroke. To increase lubricant output, turn adjustment screw counter-clockwise. To decrease output, turn adjustment screw clockwise.

All piping is connected to the reservoir base, allowing the pump to be removed without disturbing the existing piping. An inlet shut-off valve in the reservoir base permits the removal of the pump without draining the reservoir.

A bleed screw is provided to purge the pump during installation or when reservoir is allowed to run dry.

**LINCOLN ST. LOUIS**  
4010 GOODFELLOW BLVD • ST. LOUIS, MO 63120 • (314) 383-5900



**SECTION -M23**  
**PAGE - 7A**

### SERVICE PARTS

PART	QUAN.	DESCRIPTION	PART	QUAN.	DESCRIPTION
15081	1	Adjustment housing	34579	1	O-ring
15082	1	Adjustment screw	34593	2	O-ring
15083	1	Adjustment locknut	34616	1	O-ring
15084	1	Piston	34618	1	O-ring
15086	1	Enclosure screw	34624	1	O-ring
16162	1	Check valve	50522	1	Bleed screw
16169	1	Check valve plug	50825	2	Screw
31159	1	Gasket	55403-9	1	Spring
31161	1	Gasket	66250	1	Ball
34179	1	O-ring	69151	1	Groove pin
34255	1	O-ring	93279	1	Body & piston assembly
34417	1	O-ring			

**RETAIN THIS INFORMATION FOR FUTURE REFERENCE**

When ordering replacement parts, list: Part Number, Description, Model Number, and Series Letter.  
 LINCOLN ST. LOUIS provides a Distributor Network that stocks equipment and replacement parts.