

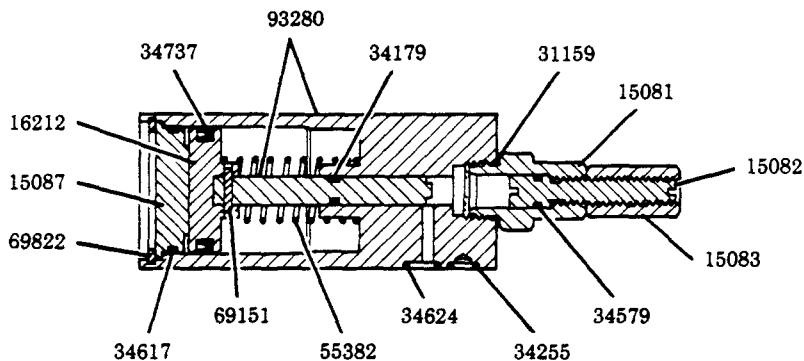
LP-1060 PNEUMATIC PUMP

SINGLE ACTING
FOR PETROLEUM BASE FLUIDS & LUBRICANTS

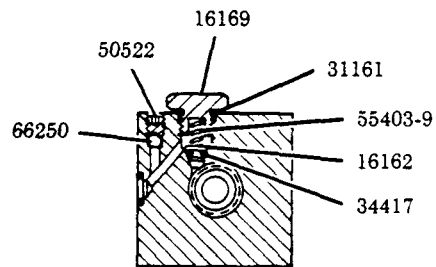
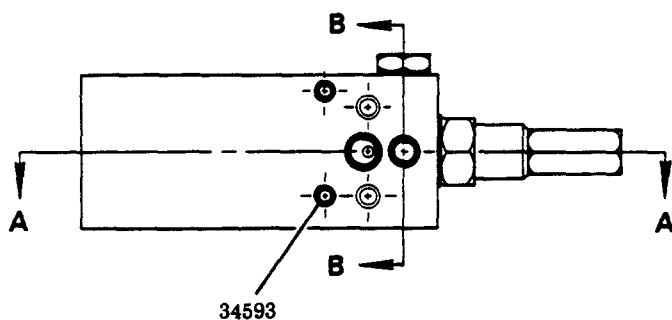


Model 8721

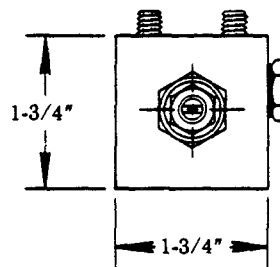
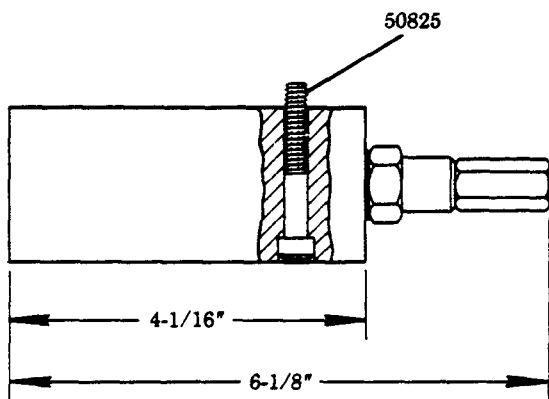
Series "A"



SECTION A-A



SECTION B-B



OPERATION

Model 87214 LP-1060 Pump is a pneumatically operated single acting pump, with pump cycles controlled by a timer in conjunction with a solenoid valve. Air pressure powers the piston on the delivery stroke and a spring returns it to priming position. The pump can operate at a maximum of 30 strokes per minute with oil, 22 strokes per minute with grease. A ratio of 18:1, lubricant to air pressure, is developed using a minimum air pressure of 60 psi and a maximum of 200 psi. An optional 15104 Air Flow Restrictor is recommended when air line pressures exceed 80 psi.

Lubricant output is adjustable from .010-.060 cu. in. per stroke. One complete turn of the adjustment screw will change the lubri-

cant output by .003 cu. in. per stroke. To increase lubricant output turn adjustment screw counter-clockwise. To decrease output, turn adjustment screw clockwise.

All piping is connected to the reservoir base, allowing the pump to be removed without disturbing the existing piping. An inlet shut off valve in the reservoir base permits the removal of the pump without draining the reservoir.

A bleed screw is provided to purge the pump during installation when reservoir is allowed to run dry.



LINCOLN, One Lincoln Way
St. Louis, Missouri 63120-1578
(314) 679-4200 Customer Service, (314) 679-4300

SECTION - M2
PAGE - 8

SERVICE PARTS

PART	QUAN.	DESCRIPTION	PART	QUAN.	DESCRIPTION
15081	1	Adjustment housing	34593	2	O-ring
15082	1	Adjustment screw	34617	1	O-ring
15083	1	Adjustment locknut	34624	1	O-ring
15087	1	Piston plug	34737	1	O-ring
16162	1	Check	50522	1	Bleed screw
16169	1	Check valve plug	50825	2	Screw
16212	1	Piston	55382	1	Return spring
31159	1	Gasket	55403-9	1	Spring
31161	1	Gasket	66250	1	Ball
34179	1	O-ring	69151	1	Groove pin
34255	1	O-ring	69822	1	Retaining ring
34417	1	O-ring	93280	1	Piston & body assembly
34579	1	O-ring			

RETAIN THIS INFORMATION FOR FUTURE REFERENCE

When ordering replacement parts, list: Part Number, Description, Model Number, and Series Letter.

LINCOLN ST. LOUIS provides a Distributor Network that stocks equipment and replacement parts.