

GREASE RESERVOIR

DIRECT LP PUMP MOUNTING

CLEAR POLYCARBONATE RESERVOIR TUBE

BOTTOM FILL



Models 87402
87403

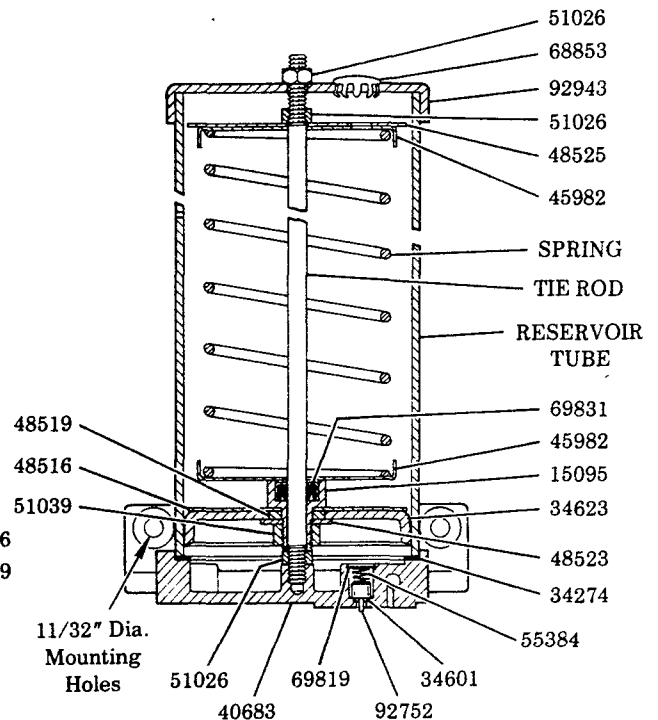
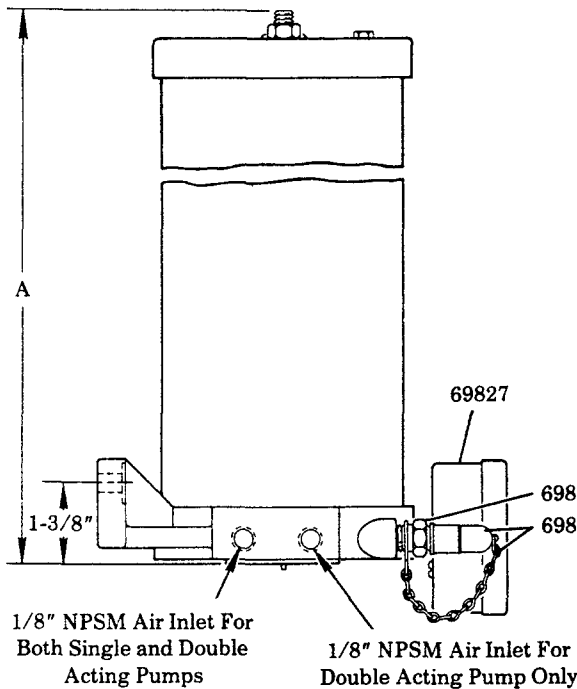
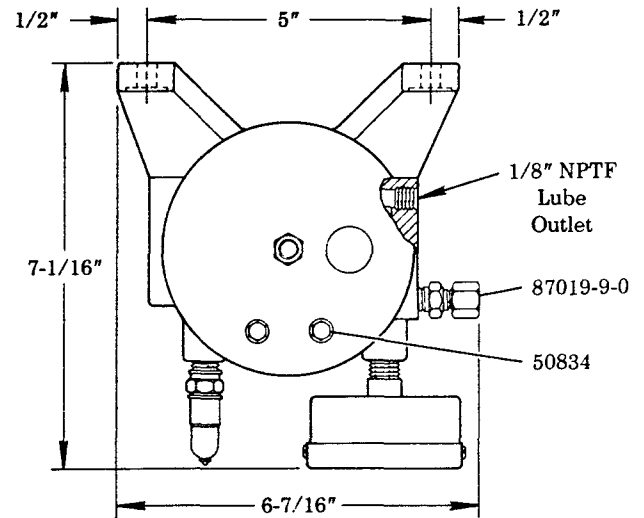
Series "A"

SERVICE PARTS

PART	QUAN.	DESCRIPTION
15095	1	Adapter
34274	1	Gasket
34601	1	O-ring
34623	1	Follower
40683	1	Reservoir base
45982	2	Spring retainer
48516	1	Follower washer
48519	1	Spacer
48523	1	Washer
48525	1	Washer
50834	2	Screw
51026	3	Nut
51039	1	Nut
55384	1	Check spring
68853	1	Plug button
69819	1	Retainer
69827	1	Pressure gauge
69831	1	Grease seal
69839	1	Fill stud cap
69846	1	Fill stud
87019-9-0	1	Rupture indicator
92752	1	Valve
92943	1	Cap

MODEL

	87402 (3 Lb.)	87403 (5 Lb.)
Tie Rod	15097	15096
Reservoir Spring	55383	55385
Reservoir Tube	92777	92778
Useable Volume	70 cu. in.	94 cu. in.
Dimension "A"	11-5/8"	14-5/8"



A DIVISION OF
McNEIL CORPORATION

One Lincoln Way
St. Louis, MO 63120-1578
(314) 679-4200

SECTION - M25
PAGE - 12