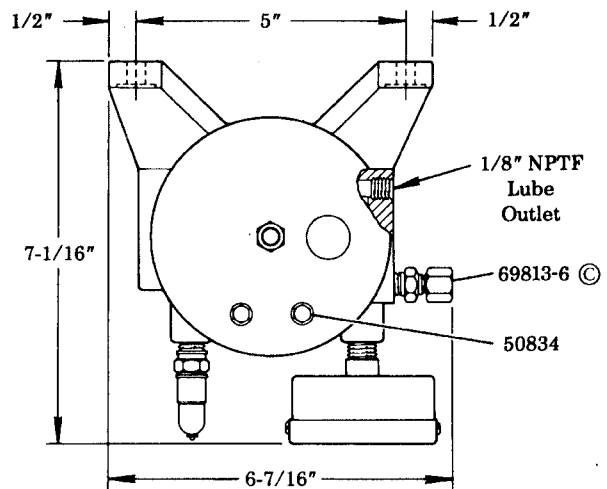


DIRECT LP PUMP MOUNTING
ACRYLIC RESERVOIR TUBE
BOTTOM FILL

Service Parts

Part	Qty.	Description
15095	1	Adapter
34274	1	Gasket (Neoprene)
34601	1	O-ring (Nitrile)
34623	1	Follower (Nitrile)
40683	1	Reservoir base
45982	2	Spring retainer
48516	1	Follower washer
48519	1	Spacer
48523	1	Washer
48525	1	Washer
50834	2	Screw
51026	3	Nut
51039	1	Nut
55384	1	Check Spring
68853	1	Plug button
69813-6	1	Rupture Disc (pkg. of 10)
69819	1	Retainer
69827	1	Pressure gauge
69831	1	Grease seal
69839	1	Fill stud cap
69846	1	Fill stud
92752	1	Valve
92943	1	Cap

	87402 (3 LB.)	87403 (5 LB.)
Tie Rod	15097	15096
Reservoir Spring	55383	55385
Reservoir (Acrylic)	247212	247220
Useable Volume	70 cu. in.	94 cu. in.
Dimension "A"	11-5/8"	14-5/8"



©

© Indicates Change

