

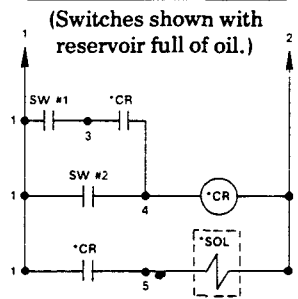
SWITCH RATING

Max. Resistive Load - Amps		
Volts	A.C.	D.C.
0-50	.30	.20
120	.12	.08
240	.06	.04

NOTES:

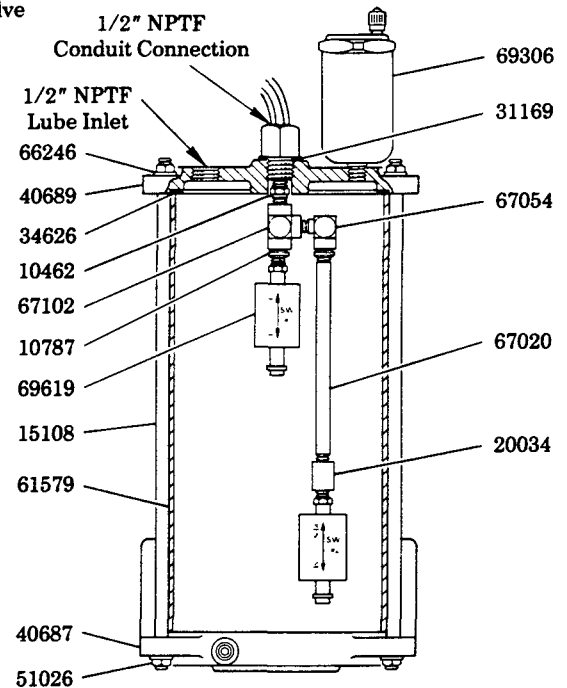
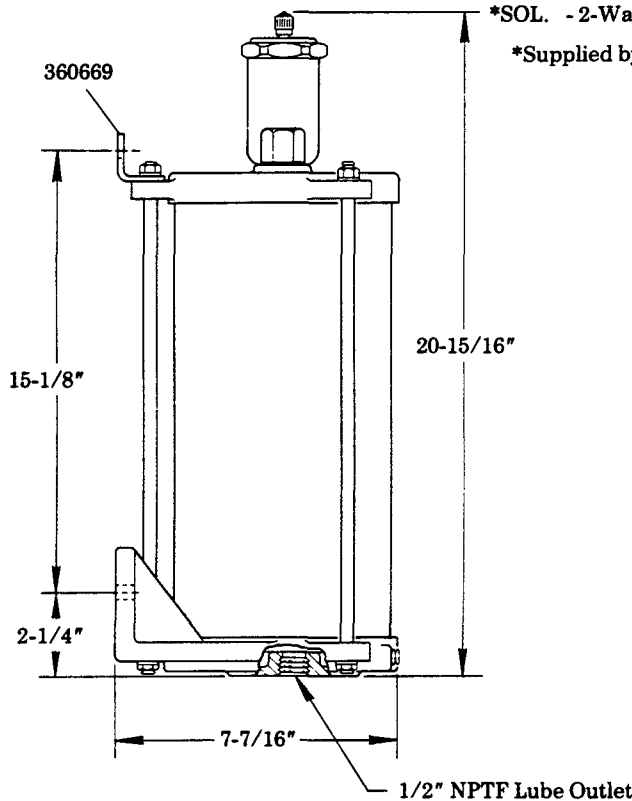
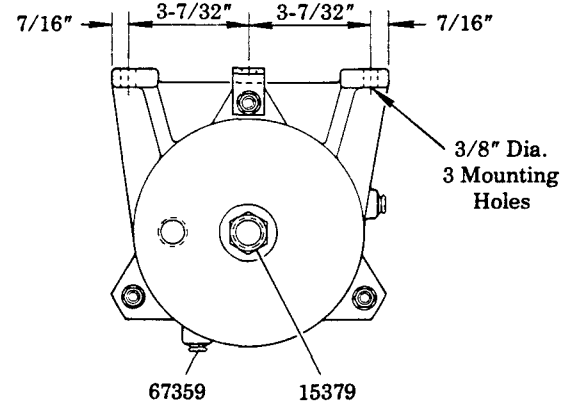
1. Use pipe sealant on all joints.
2. Level switches are factory set in N.O. position which changes to N.C. on low level. To convert to N.C. position which changes to N.O. on low level, remove retaining ring and reverse position of float.

WIRING DIAGRAM



- SW.#1 - 69619 Level Switch
 SW.#2 - 69619 Level Switch
 *CR - Control Relay
 (Must not exceed switch rating.)
 *SOL. - 2-Way Solenoid Valve
 *Supplied by Customer

ADAPTABLE FOR DIRECT PUMP MOUNTING METAL RESERVOIR TUBE (10 PINT)



SERVICE PARTS

Part	Qty.	Description	Part	Qty.	Description	Part	Qty.	Description
10462	1	Nipple	40687	1	Reservoir base	67102	1	Tee
10787	2	Bushing	40689	1	Reservoir cap	67359	2	Pipe plug
15108	3	Tie rod	51026	6	Nut	69306	1	Vent assembly
15379	1	Conduit adapter	61579	1	Tube	69619	2	Level switch
20034	1	Coupling	66246	6	Lockwasher	360669	1	Mounting bracket
31169	1	Gasket	67020	1	Pipe nipple			
34626	2	Gasket	67054	1	Street elbow			