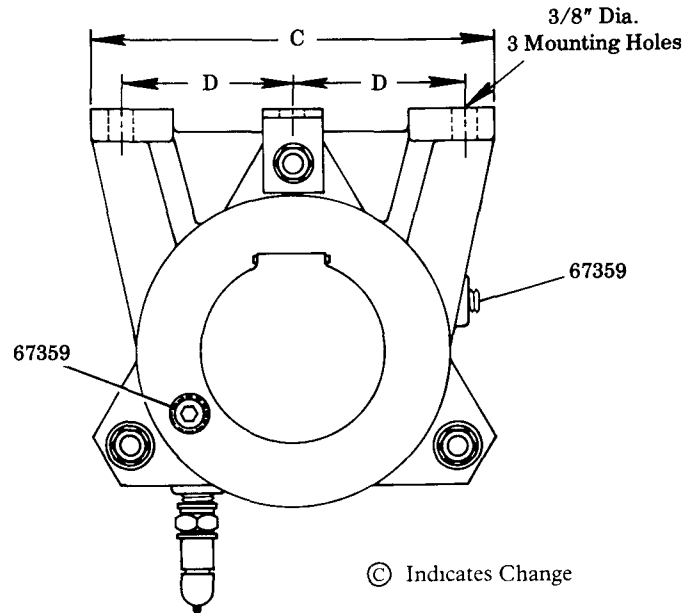


ADAPTABLE FOR DIRECT PUMP MOUNTING
CLEAR PLASTIC RESERVOIR TUBE TOP OR BOTTOM FILL

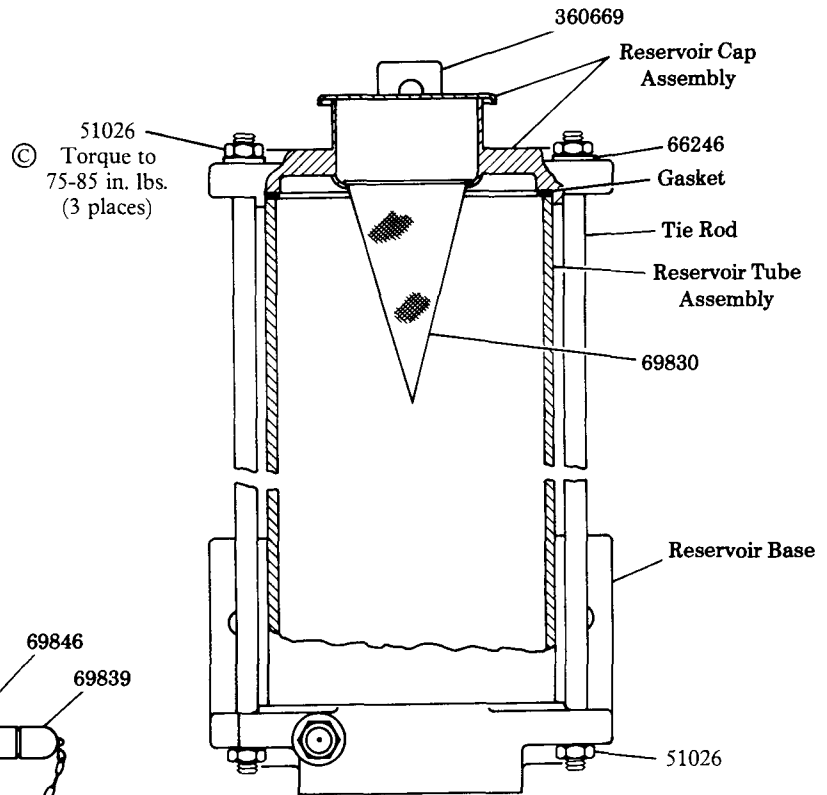
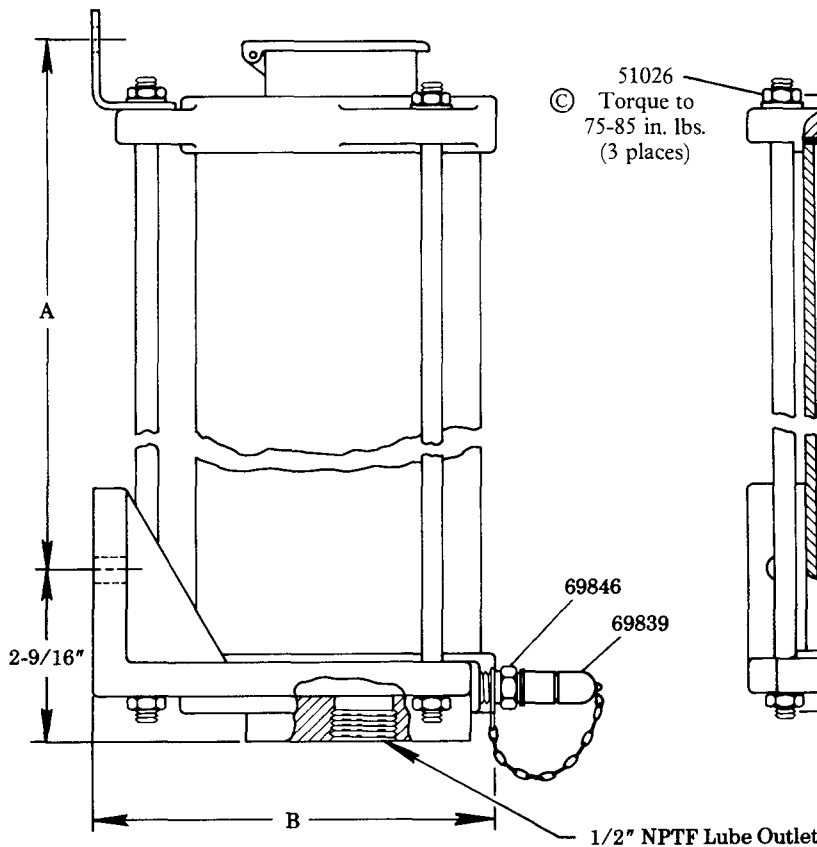
SERVICE PARTS

	87400 (5 Pint)	87413 (10 Pint)	87414 (15 Pint)
Tie Rod (3 req'd)	15100	15108	15116
Gasket (2 req'd)	38168	34626	34626
Reservoir Base	40685	40687	40687
Reservoir Cap Assembly	92774	92775	92775
Reservoir Tube Assembly	92780	92782	92783
Dimensions			
A	13-1/8"	15-1/8"	22-5/8"
B	5-15/16"	7-15/32"	7-15/32"
C	6"	7-5/16"	7-5/16"
D	2-9/16"	3-7/32"	3-7/32"

Part	Qty.	Description
51026	6	Nut
66246	3	Lockwasher
67359	2	Pipe plug
69830	1	Strainer
69839	1	Fill stud cap
69846	1	Fill stud
360669	1	Mounting bracket



© Indicates Change



USEABLE VOLUME

87400 - 5 Pint - 140 cu. in.
87413 - 10 Pint - 290 cu. in.
87414 - 15 Pint - 430 cu. in.