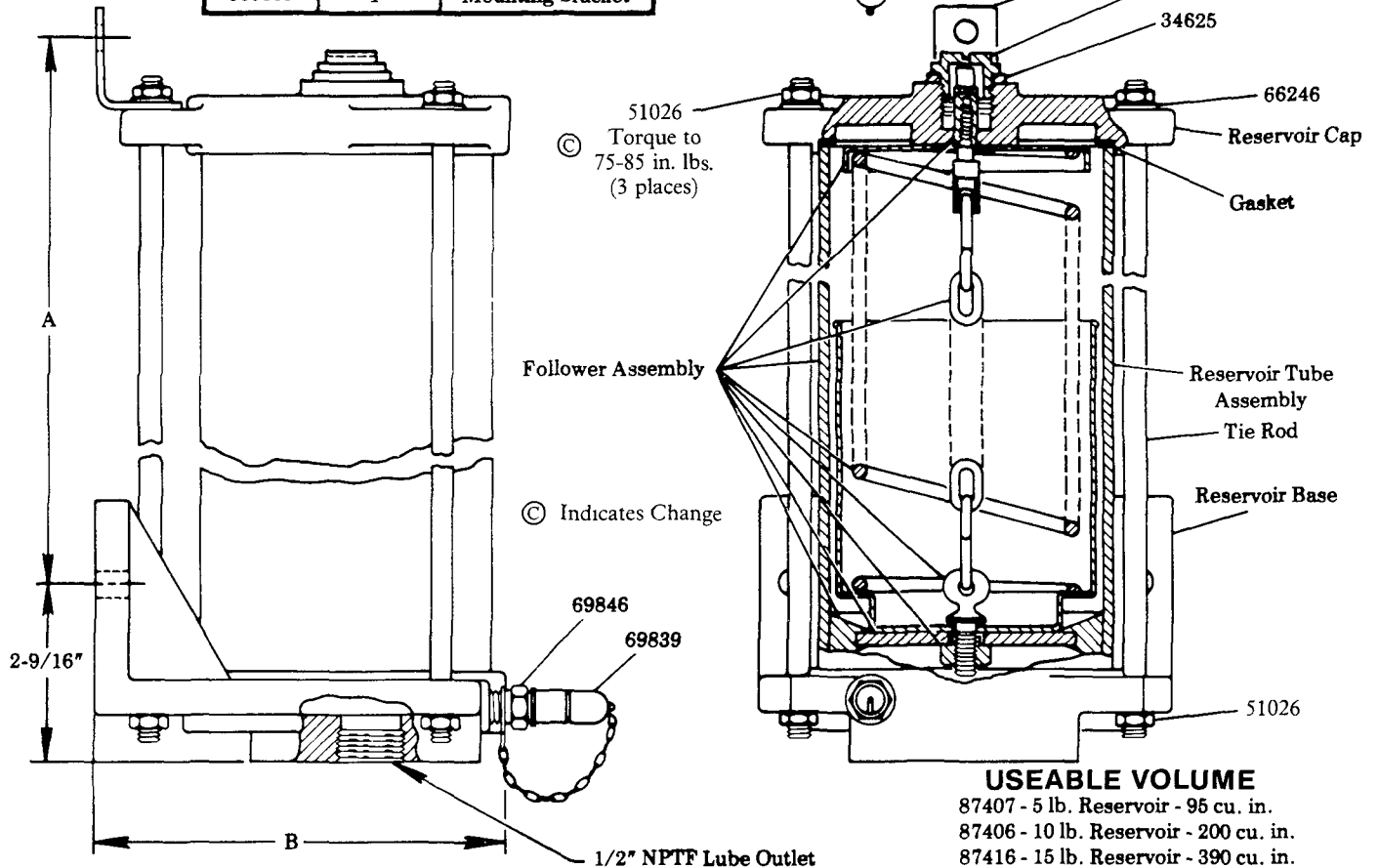
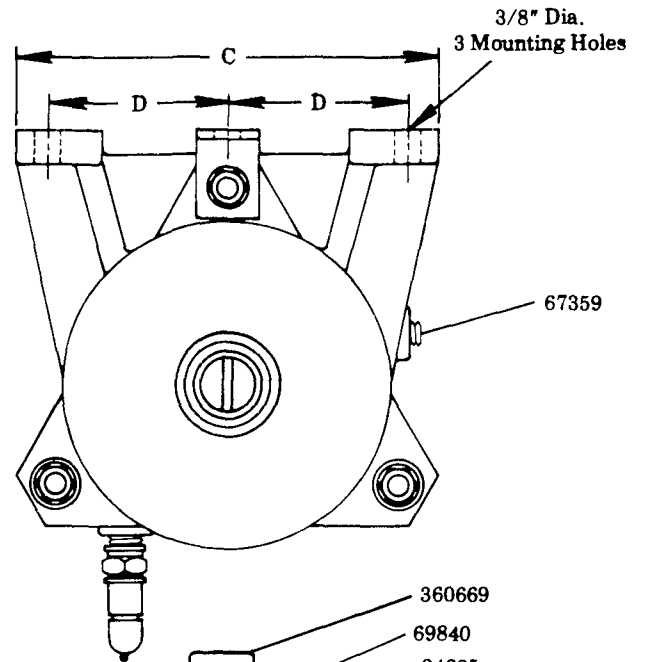


SERVICE PARTS

	87407 5 lbs.	87406 10 lbs.	87416 15 lbs.
Tie Rod (3 req'd)	15100	15108	15118
Gasket (2 req'd)	38168	34826	34828
Reservoir Base	40685	40687	40687
Reservoir Cap	40688	40686	40686
Follower Assembly	84233	84232	84236
Reservoir Tube Assembly	92778	92781	92784
Dimensions			
A	13-1/8"	15-1/8"	22-5/8"
B	5-15/16"	7-15/32"	7-15/32"
C	6"	7-5/16"	7-5/16"
D	2-9/16"	3-7/32"	3-7/32"

Part	Qty.	Description
34625	1	Dust seal
51026	6	Nut
66246	3	Lockwasher
67359	1	Pipe plug
69839	1	Fill stud cap
69840	1	Plastic plug
69846	1	Fill stud
360669	1	Mounting bracket

ADAPTABLE FOR DIRECT PUMP MOUNTING
CLEAR PLASTIC RESERVOIR TUBE



USEABLE VOLUME

87407 - 5 lb. Reservoir - 95 cu. in.
87406 - 10 lb. Reservoir - 200 cu. in.
87416 - 15 lb. Reservoir - 390 cu. in.