

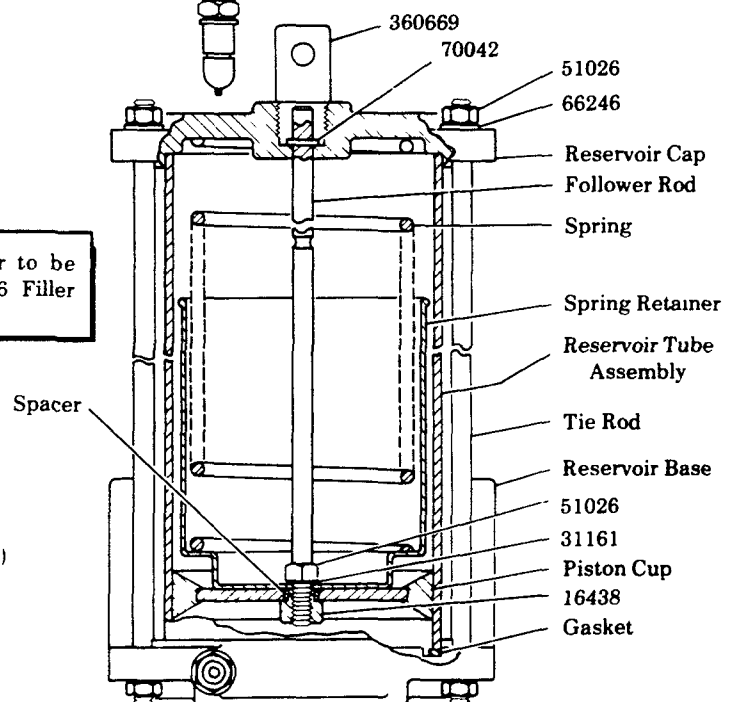
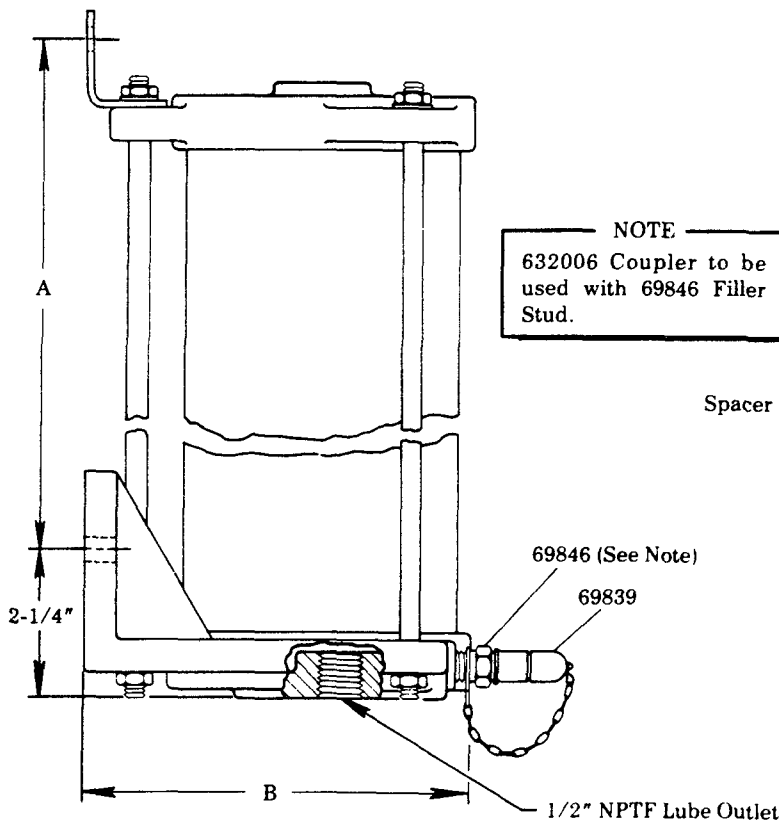
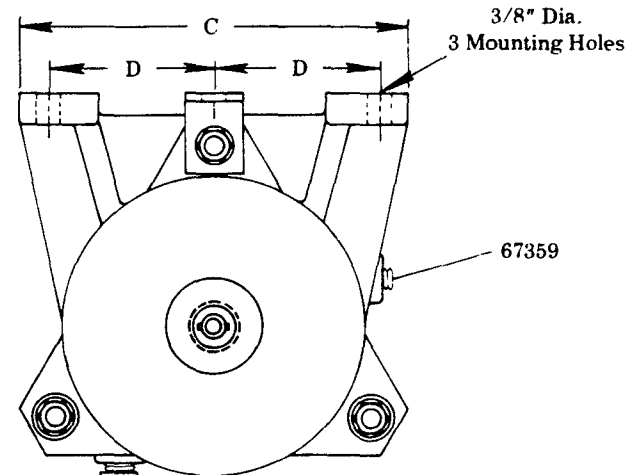
## SERVICE PARTS

Description	87420 5 lb.	87421 10 lb.	87423 15 lb.
Tie rod (3 req'd.)	15100	15108	15116
Follower rod	16099	16098	15532
Spacer	—	16436	16436
Gasket	38168	34626	34626
Piston cup	34629	34628	34628
Reservoir base	40685	40687	40687
Reservoir cap	40688	40686	40686
Spring retainer	45979	45978	45978
Spring	55385	55387	55388
Reservoir tube assembly	93251	93252	92905

Part	Qty.	Description
16438	1	Shoulder nut
31161	1	Gasket
51026	7	Nut
66246	3	Lockwasher
67359	1	Pipe plug
69839	1	Fill stud cap
69846	1	Fill stud
70042	1	Groove pin
360669	1	Mounting bracket

## ADAPTABLE FOR DIRECT PUMP MOUNTING METAL RESERVOIR TUBE DIMENSIONS

Model	A	B	C	D
87420	13-1/8"	5-15/16"	6"	2-9/16"
87421	15-1/8"	7-13/32"	7-5/16"	3-7/32"
87423	22-5/8"	7-13/32"	7-5/16"	3-7/32"



### USEABLE VOLUME

87420 - 5 lb. Reservoir - 95 cu. in.  
87421 - 10 lb. Reservoir - 200 cu. in.  
87423 - 15 lb. Reservoir - 386 cu. in.