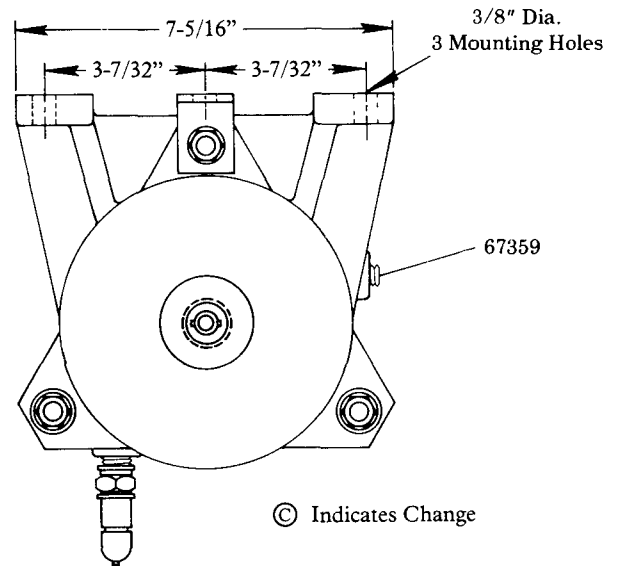


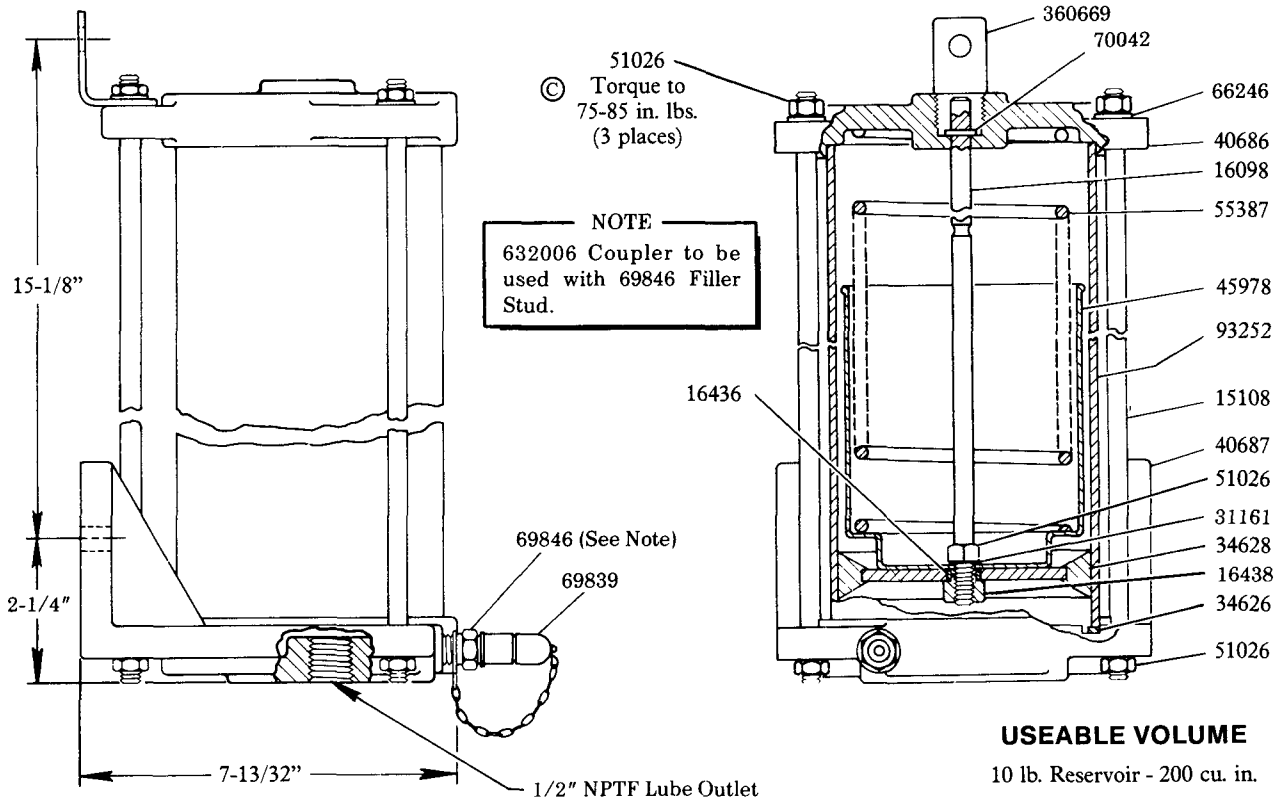
**ADAPTABLE FOR DIRECT PUMP MOUNTING
METAL RESERVOIR TUBE**

SERVICE PARTS

Part	Qty.	Description
15108	3	Tie rod
16098	1	Follower rod
16436	1	Spacer
16438	1	Shoulder nut
31161	1	Gasket
34626	1	Gasket
34628	1	Piston cup
40686	1	Reservoir cap
40687	1	Reservoir base
45978	1	Spring retainer
51026	7	Nut
55387	1	Spring
66246	3	Lockwasher
67359	1	Pipe plug
69839	1	Fill stud cap
69846	1	Fill stud
70042	1	Groove pin
93252	1	Reservoir tube assembly
360669	1	Mounting bracket



© Indicates Change



USEABLE VOLUME
10 lb. Reservoir - 200 cu. in.