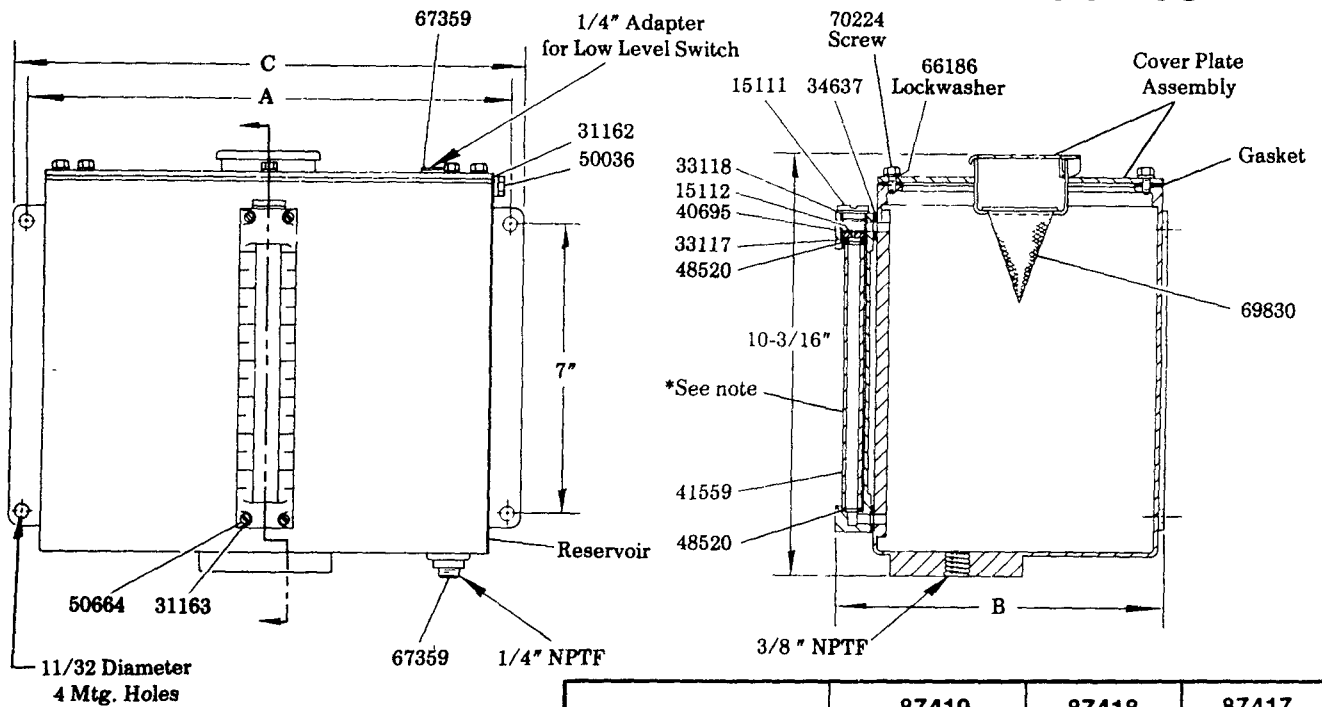


OIL RESERVOIR

ADAPTABLE FOR DIRECT PUMP MOUNTING.
CONTAINS BUNA-N OIL SEALS.



Models 87417
87418 & 87419
Series "B"



***NOTE:**
An 84376 Sight Glass and Packing Kit is available for use with synthetic lubricants.

DESCRIPTION	87419 (12 PINTS)	87418 (3 GAL.)	87417 (5 GAL.)
Gasket	32070	34563	32069
Cover plate assembly	93403	93402	93401
Reservoir	92802	92801	92797
66186 Lockwasher	(6 req'd)	(8 req'd)	(8 req'd)
70224 Screw	(6 req'd)	(8 req'd)	(8 req'd)

USEABLE VOLUME

87419 - 12 Pints - 346 cu. in.
87418 - 3 Gallons - 693 cu. in.
87417 - 5 Gallons - 1155 cu. in.

DIMENSIONS

	87419	87418	87417
A	9-7/8"	12-7/8"	16-7/8"
B	7-9/16"	11-9/16"	12-9/16"
C	10-1/2"	13-1/2"	17-1/2"

SERVICE PARTS

PART	QUAN.	DESCRIPTION
15111	1	Plug
15112	1	Plug
31162	2	Washer
31163	4	Washer
33117	1	Fiber washer
33118	1	Fiber washer
34637	2	Gasket
40695	1	Gauge body
41559	1	Gauge glass
48520	2	Washer
50036	2	Screw
50664	4	Screw
67359	2	Pipe plug
69830	1	Filter strainer

Refer to Page M30-6 Series for 84235 Low Level Switch.

Refer to Page M30-16 Series for 87851 High Pressure Return to Tank Assembly.

LINCOLN ST. LOUIS
4010 GOODFELLOW BLVD. · ST LOUIS, MO 63120 · (314) 383 5900



SECTION - M25
PAGE - 7A