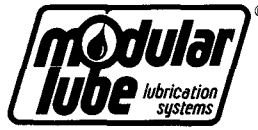


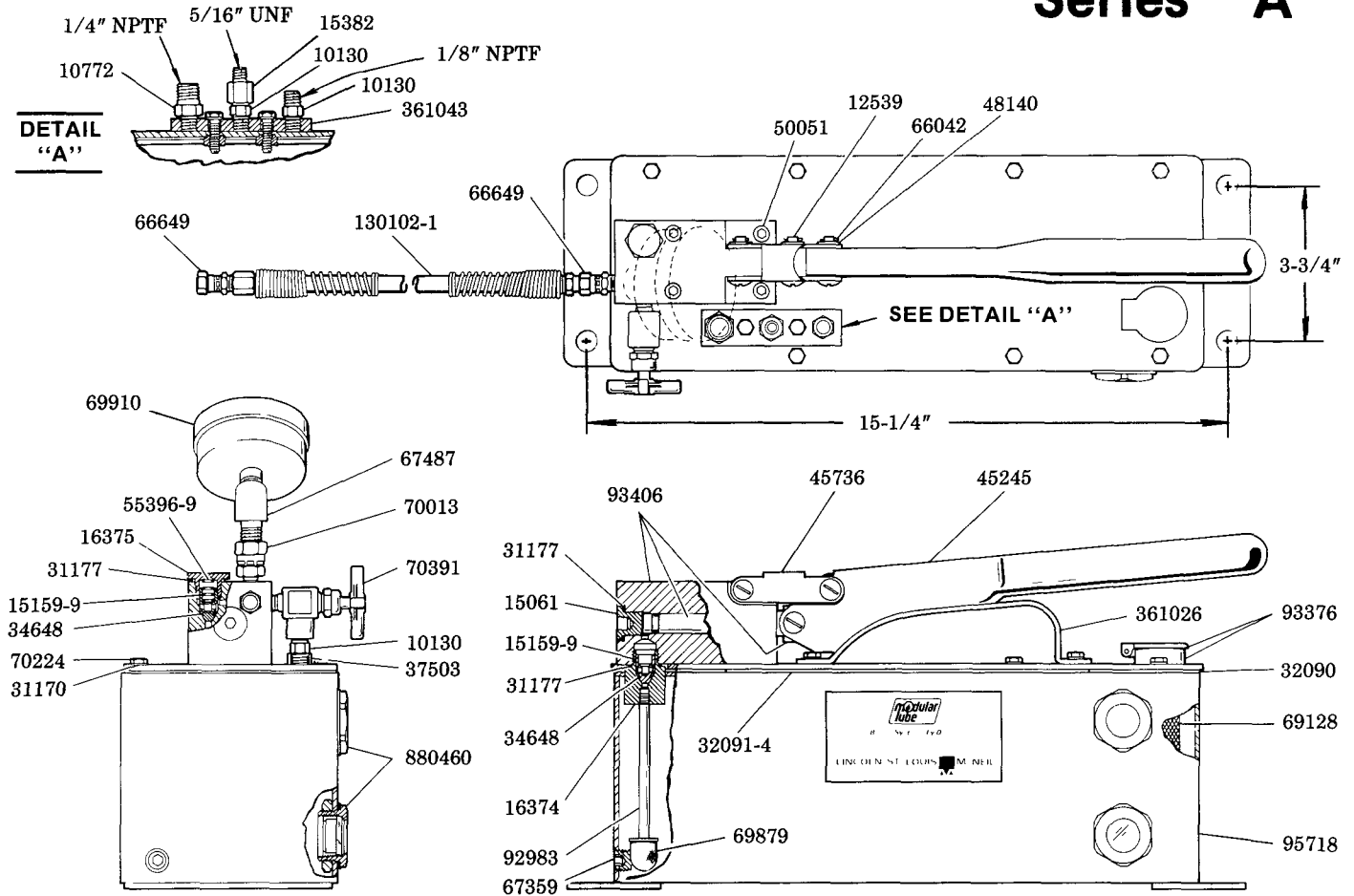
PUMP ASSEMBLY

MAX. OPERATING PRESSURE - 4500 PSI
1 GALLON RESERVOIR
USE WITH OIL ONLY



Model 130102

Series "A"



SERVICE INSTRUCTIONS

If pump assembly fails to develop pressure:

- 1) Make sure 70391 Shut-off Valve is closed.
- 2) Debris may be holding 15159-9 Poppets open. Unscrew 16375 Poppet Plug. Remove 50051 Screws and 93406 Plunger assembly. Unscrew 16374 Check Housing. Remove poppets and clean thoroughly, including the poppet seat in block.

SERVICE PARTS

PART	QUAN.	DESCRIPTION	PART	QUAN.	DESCRIPTION	PART	QUAN.	DESCRIPTION
10130	3	Nipple	37503	1	Packing	70013	1	Swivel union
10772	1	Nipple	45245	1	Lever handle	70224	12	Screw
12539	3	Pin	45736	1	Toggle	70391	1	Shut-off valve
15061	1	Plug	48140	3	Washer	92983	1	Strainer tube assembly
15159-9	2	Poppet	50051	4	Screw	93376	1	Cover & filler assembly
15382	1	Adapter	55396-9	1	Spring	93406	1	Plunger assembly
16374	1	Check housing	66042	3	Cotter pin	93406	1	Plunger assembly
16375	1	Poppet plug	66649	2	Adapter union	95718	1	Reservoir assembly
31170	12	Washer	67359	2	Socket head plug	130102-1	1	Hose assembly
31177	3	Washer	67487	1	Street elbow	361026	1	Handle
32090	2	Cover gasket end	69128	1	Strainer	361043	1	Adapter strip
32091-4	2	Cover gasket strip	69879	1	Strainer assembly	880460	2	Gauge glass assembly
34648	2	O-ring	69910	1	Pressure gauge			

LINCOLN ST. LOUIS
4010 GOODFELLOW BLVD • ST LOUIS MO 63120 • (314) 383 5900

A DIVISION OF
McNEIL
CORPORATION

SECTION - **M26**
PAGE - **4**