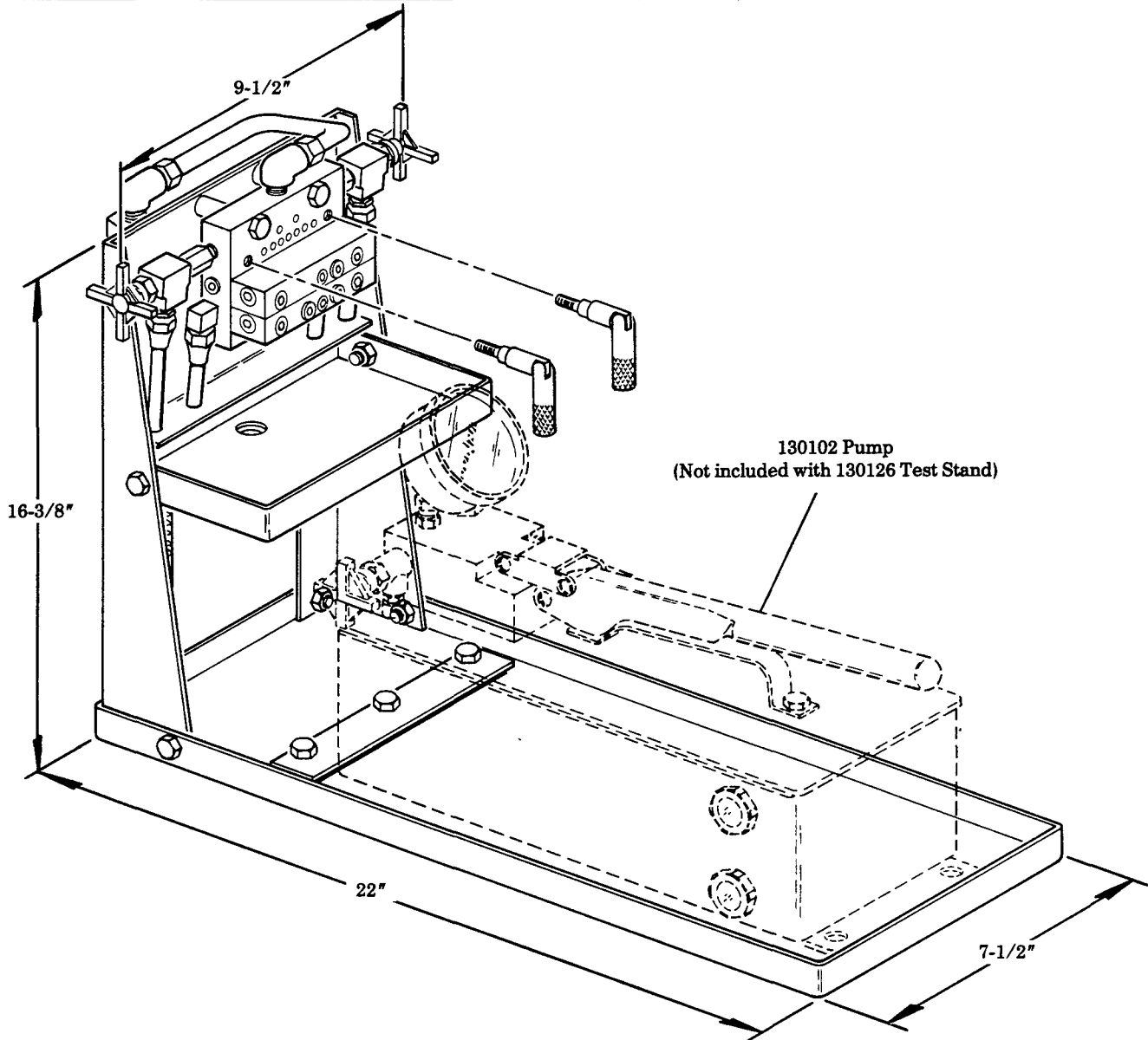


# DIVIDER VALVE TEST STAND

FOR TESTING MC METERING VALVES



## Model 130126



### TEST PROCEDURE

Use SAE 10 oil @ 72°

- 1) Disconnect the 130102-1 Hose Assembly from the 130102 Pump Assembly. Place the pump assembly in the pan of the test stand.
- 2) Connect the 5812 Whip Hose to the outlet of the pump assembly.

**NOTE:** Close relief valves in test stand and pump assembly.

- 3) Install divider valve in the top position of the base plate on the test stand using the 93447 Clamps. Proceed to pump and bleed divider valves thoroughly.

**Single Divider Valve** - Close both relief valves on test stand.

**Twin Divider Valve** - Close only one relief valve on test stand; leave other open. (Repeat procedure for opposite side).

- 4) Build pressure to 2,000 psi and maintain pressure for 1 minute. If valve cycles, the valve being tested is defective.

#### CAUTION

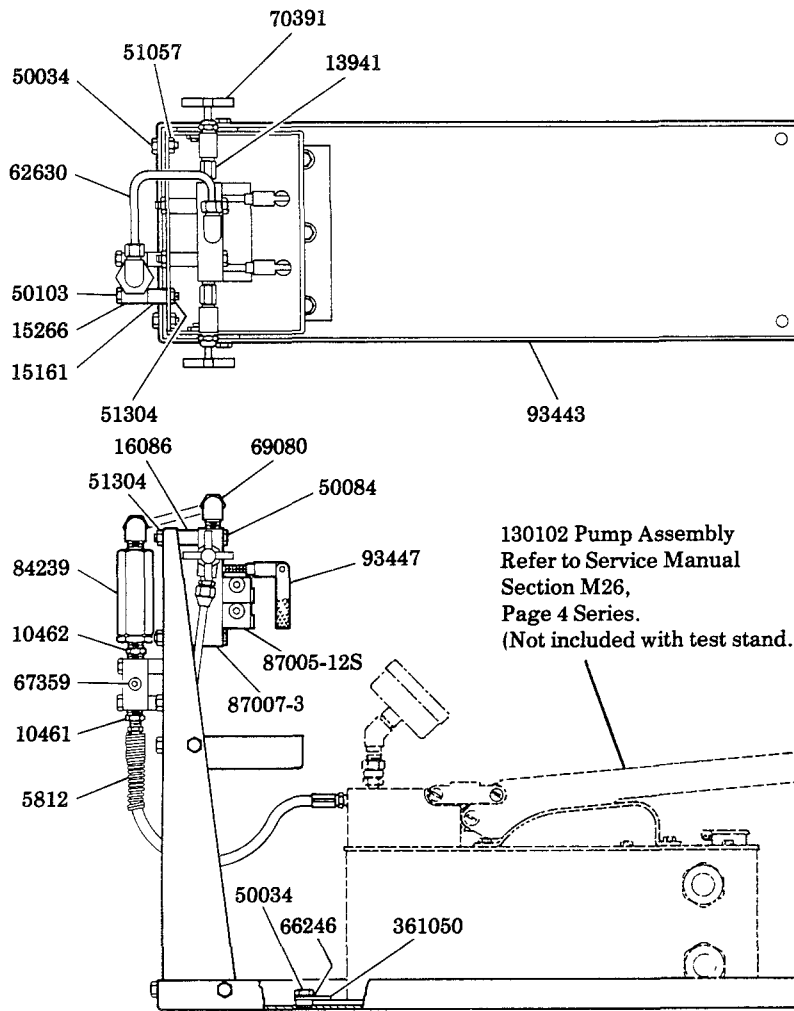
Before disconnecting divider valve, open relief valves in test stand and pump assembly.



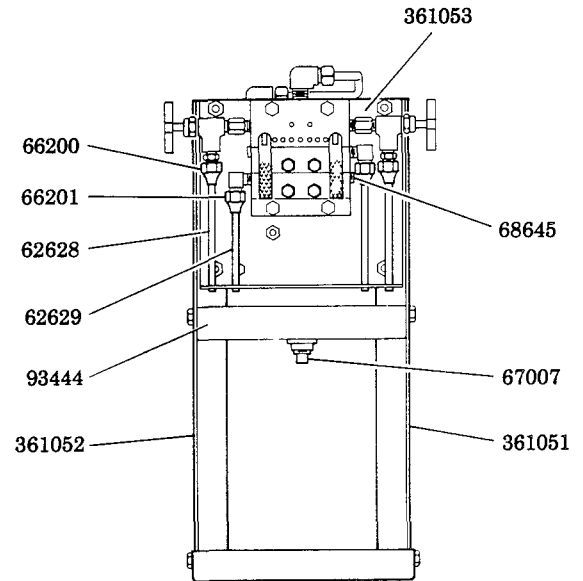
LINCOLN, One Lincoln Way  
St. Louis, Missouri 63120-1578  
(314) 679-4200 Customer Service, (314) 679-4300

SECTION - M26

PAGE - 5



130102 Pump Assembly  
 Refer to Service Manual  
 Section M26,  
 Page 4 Series.  
 (Not included with test stand.)



### SERVICE PARTS

PART	QUAN.	DESCRIPTION	PART	QUAN.	DESCRIPTION	PART	QUAN.	DESCRIPTION
5812	1	Whip hose	51304	6	Locknut	70391	2	Shut-off valve
10461	1	Bushing	62628	3	Steel tube	84239	1	Filter
10462	1	Nipple	62629	1	Steel tube	87007-3	1	MCL-3 Baseplate
13941	2	Adapter	62630	1	Steel tube	87005-12S	2	MC Divider valve block
15161	2	Spacer	66200	2	Tube connector	93443	1	Mounting pan
15266	1	Anchor cross	66201	2	Tube connector	93444	1	Drain tray
16086	4	Spacer	66246	3	Lockwasher	93447	2	Clamp
50034	15	Screw	67007	1	Drain plug	361050	1	Mounting strip
50084	4	Screw	67359	2	Pipe plug	361051	1	Panel support
50103	2	Screw	68645	2	Pressure plug	361052	1	Panel support
51057	12	Locknut	69080	2	Tube connector	361053	1	Mounting panel

RETAIN THIS INFORMATION FOR FUTURE REFERENCE

When ordering replacement parts, list: Part Number, Description, Model Number, and Series Letter.  
 LINCOLN ST. LOUIS provides a Distributor Network that stocks equipment and replacement parts.