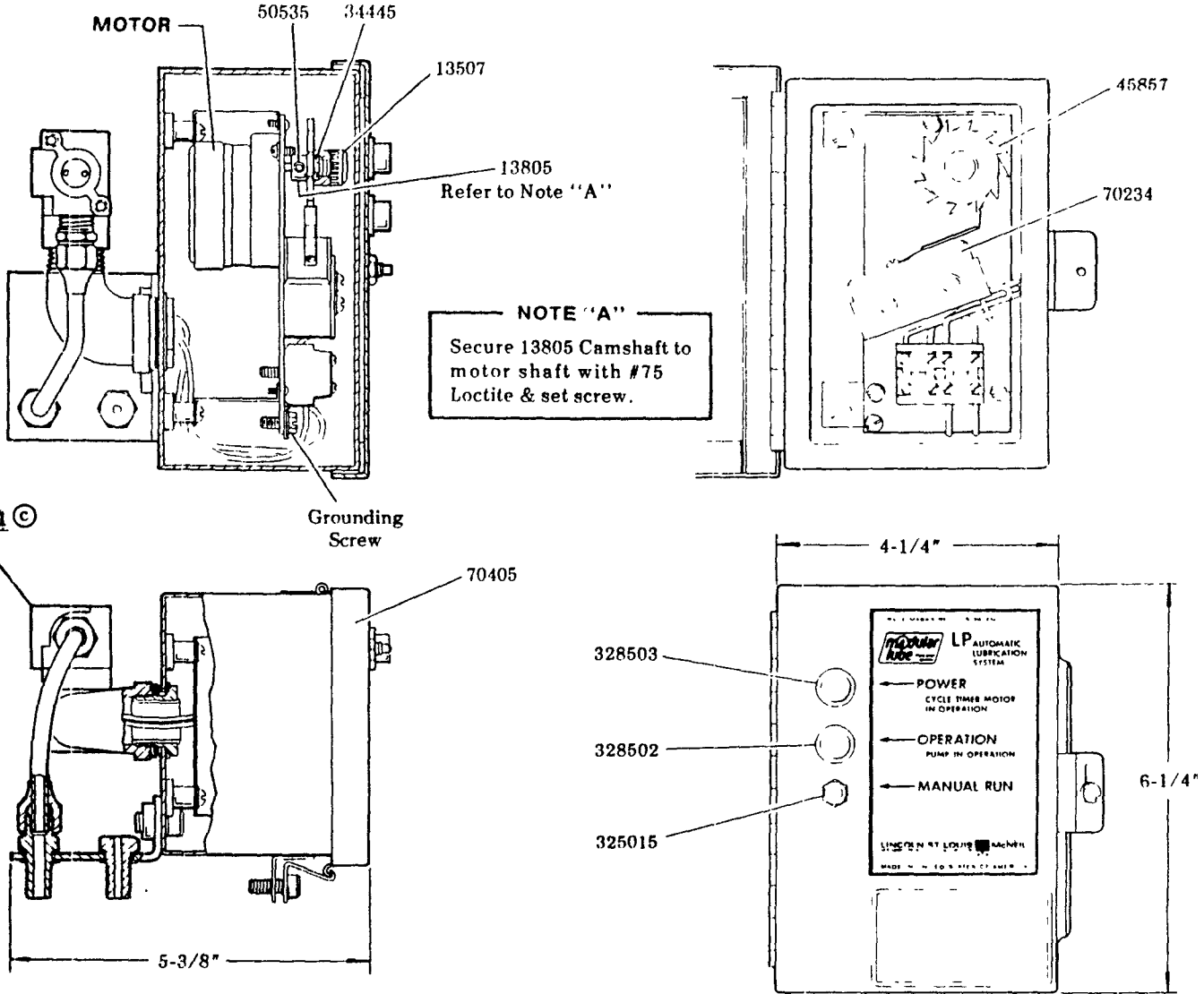


LP CONTROL PACKAGE

115 VOLTS, 60 Hz.



© Indicates change

SERVICE PARTS

| PART | QUAN. | DESCRIPTION |
|--------|-------|----------------|
| 13507 | 1 | Knob |
| 13805 | 1 | Camshaft |
| 34445 | 1 | Gasket |
| 45857 | 1 | Cam |
| 50535 | 1 | Set screw |
| 70234 | 1 | Micro switch |
| 70405 | 1 | Enclosure |
| 325015 | 1 | Pushbutton |
| 328502 | 1 | Amber lamp |
| 328503 | 1 | White lamp |
| 350241 | 1 | Solenoid valve |

MODEL CHART

| MODEL | MOTOR | TIME INTERVAL | |
|-------|--------|---------------|---------|
| | | MAX. | MIN. |
| 87600 | 323067 | 1 Hr. | 5 Min. |
| 87604 | 323082 | 4 Min. | 20 Sec. |
| 87605 | 323088 | 4 Hrs. | 20 Min. |
| 87606 | 323082 | 4 Min. | 20 Sec. |









LINCOLN, One Lincoln Way
St. Louis, Missouri 63120-1578
(314) 679-4200

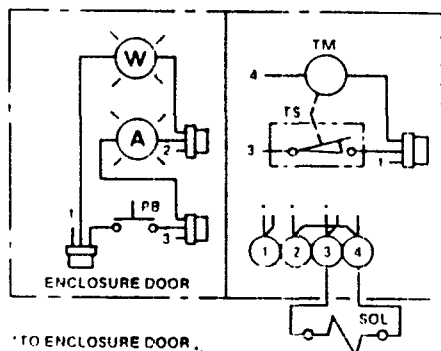
SECTION - M29
PAGE - 1B

TO CHANGE LUBRICATION FREQUENCY

Remove cam by rotating 13507 Knob counter-clockwise. Refer to the cam illustrations and break off the appropriate number of lobes by bending them back and forth with pliers.

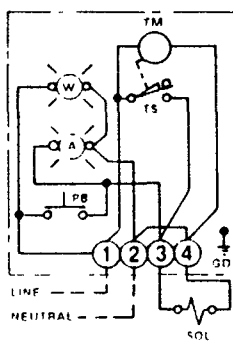
| | | | | | | |
|---------------------------------|---|---|---|--|---|---|
| 45857 CAM |  |  |  |  |  |  |
| | 12 LOBES | 6 LOBES | 4 LOBES | 3 LOBES | 2 LOBES | 1 LOBE |
| MODEL 87600 | 5 Minutes | 10 Minutes | 15 Minutes | 20 Minutes | 30 Minutes | 1 Hour |
| MODELS 87604 & 87606 | 20 Seconds | 40 Seconds | 1 Minute | 1 Min. - 20 Sec. | 2 Minutes | 4 Minutes |
| MODEL 87605 | 20 Minutes | 40 Minutes | 1 Hour | 1 Hr. - 20 Min. | 2 Hours | 4 Hours |

POSITION DIAGRAM



*TO ENCLOSURE DOOR.

WIRING DIAGRAM



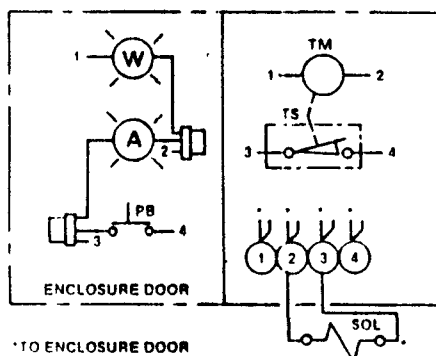
OPERATION

Timer is energized when machine is turned on (white lamp lights). Timer motor runs constantly. Lube cycle starts when cam lobe contacts timer switch, energizing solenoid valve (amber lamp lights). Air is allowed to the pump. Lubricant is delivered to divider valve on forward stroke of pump piston. Cam lobe releases timer switch, de-energizing solenoid valve. Pump piston returns to normal position completing lubrication cycle.

To initiate a manual lube cycle, depress and hold pushbutton (amber lamp lights). Release pushbutton after pump piston completes forward stroke.

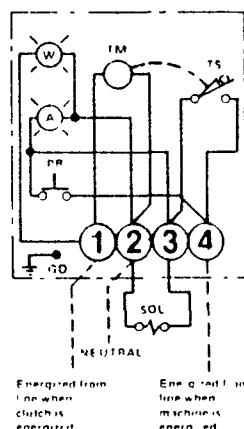
MODELS 87600, 87604, & 87605

POSITION DIAGRAM



*TO ENCLOSURE DOOR

WIRING DIAGRAM



OPERATION

Timer is energized when machine is turned on. Timer motor is energized **only** when machine clutch is engaged (white lamp lights). Lube cycle starts when cam lobe contacts timer switch, energizing solenoid valve (amber lamp lights). Air is allowed to the pump. Lubricant is delivered to divider valve on forward stroke of pump piston. Cam lobe releases timer switch, de-energizing solenoid valve. Pump piston returns to normal position completing lubrication cycle.

To initiate a manual lube cycle, depress and hold pushbutton (amber lamp lights). Release pushbutton after pump piston completes forward stroke. Timer motor does not need to be energized to initiate a manual lube cycle.

MODEL 87606

| CODE | PART | DESCRIPTION | CODE | PART | DESCRIPTION |
|------|-----------------|----------------|------|--------|-----------------|
| TM | SEE MODEL CHART | TIMER MOTOR | PB | 325015 | N.O. PUSHBUTTON |
| TS | 70234 | TIMER SWITCH | W | 328503 | WHITE LAMP |
| SOL | 350241 | SOLENOID VALVE | A | 328502 | AMBER LAMP |

RETAIN THIS INFORMATION FOR FUTURE REFERENCE

When ordering replacement parts, list: Part Number, Description, Model Number, and Series Letter.

LINCOLN ST. LOUIS provides a Distributor Network that stocks equipment and replacement parts.