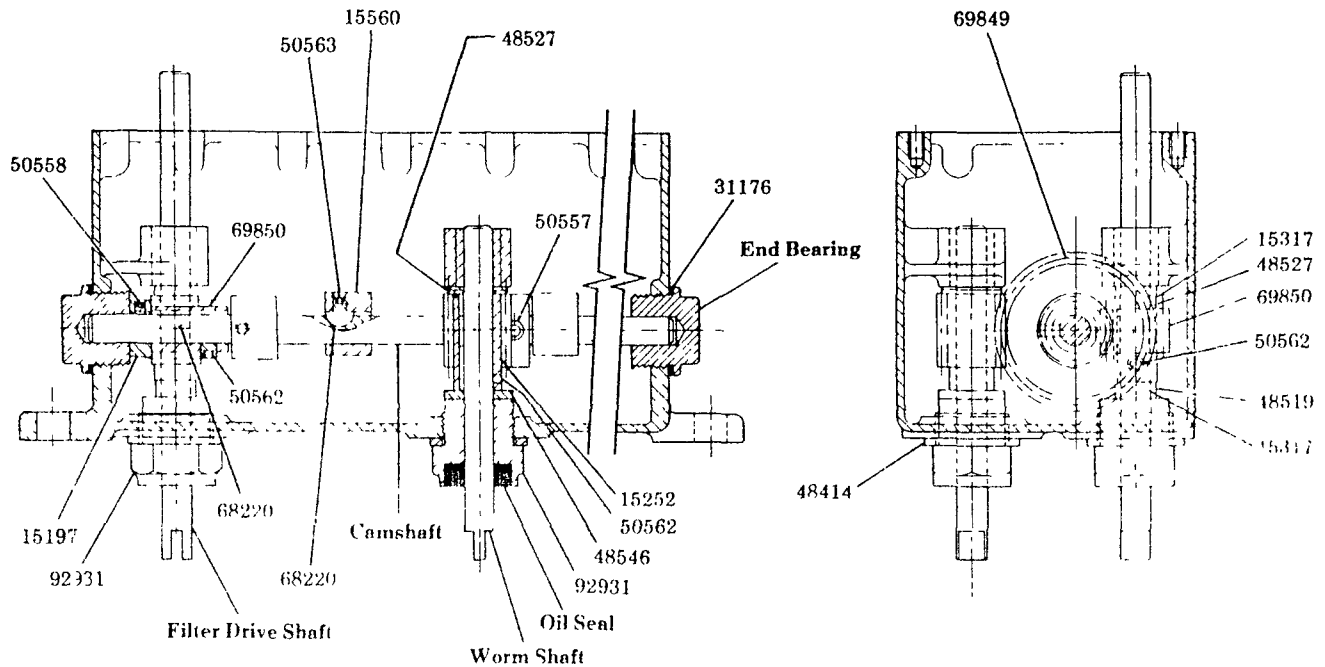


ROTARY DRIVE ADAPTATION

R.H. BOTTOM VERTICAL ROTARY WITH FILTER DRIVE
CLOCKWISE ROTATION
30:1 RATIO



DISASSEMBLY INSTRUCTIONS

- 1) Removal of pumps, filler assembly, cover plate and groove pin allows access to the lubricator drive.
- 2) Loosen set screws holding 15197 Stop Collar, 15560 Cam Lobes, 69850 Gear and 69849 Worm Gear to camshaft. Move cam lobes clear of their woodruff keys and remove keys. Unscrew end bearings and remove 31176 Washers from reservoir. Withdraw camshaft from reservoir while removing stop collar, cam lobes, gear with woodruff key and worm gear with woodruff key.
- 3) Loosen 50562 Set Screw of 69850 Gear to filter drive shaft. Unscrew 92931 Stuffing Box Assembly and remove 48414 Washer from reservoir while removing gear with woodruff key.
- 4) Loosen 50562 Set Screw of 15252 Worm to worm shaft. Unscrew 92931 Stuffing Box Assembly and remove 48414 Washer from reservoir. Withdraw worm shaft from reservoir while removing worm with woodruff key and 48527 Washer.
- 5) To assemble, reverse disassembly instructions.

LUBRICATOR	FILTER DRIVE SHAFT	CAMSHAFT	WORM SHAFT	END BEARING (2 req'd.)	OIL SEAL (2 req'd.)
800090	15517	15515	15516	40716	69930
800192	15600	15563	15601	40716	69930
800234	15600	15515	15601	40716	69930
800493	15600	15563	15601	40716	70048

OIL SEALS

69930 - Buna-N material
70048 - Viton material



A DIVISION OF
McNEIL CORPORATION

One Lincoln Way
St. Louis, MO 63120-1578
(314) 679-4200

SECTION - M3
PAGE - 16A

SERVICE PARTS

PART	QUAN.	DESCRIPTION
15197	1	Stop collar
15252	1	Worm
15317	2	Spacer
15560	*	Cam lobe
31176	2	Washer
48519	1	Spacer
48527	3	Washer
48546	1	Washer
48414	4	Washer
50557	1	Set screw
50558	1	Set screw
50562	3	Set screw
50563	*	Set screw
68220	4	#3 Woodruff key
68220	*	#3 Woodruff key
69849	1	Worm gear
69850	2	Gear
92931	2	Stuffing box

* 1 per pump station

RETAIN THIS INFORMATION FOR FUTURE REFERENCE

When ordering replacement parts, list: Part Number, Description, Model Number, and Series Letter.

LINCOLN ST. LOUIS provides a Distributor Network that stocks equipment and replacement parts.