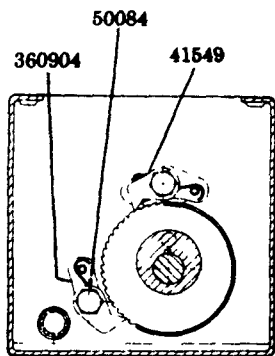


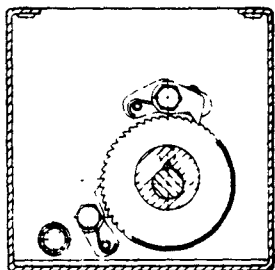
ROTARY DRIVE ADAPTATION

INTERNAL RATCHET DRIVE



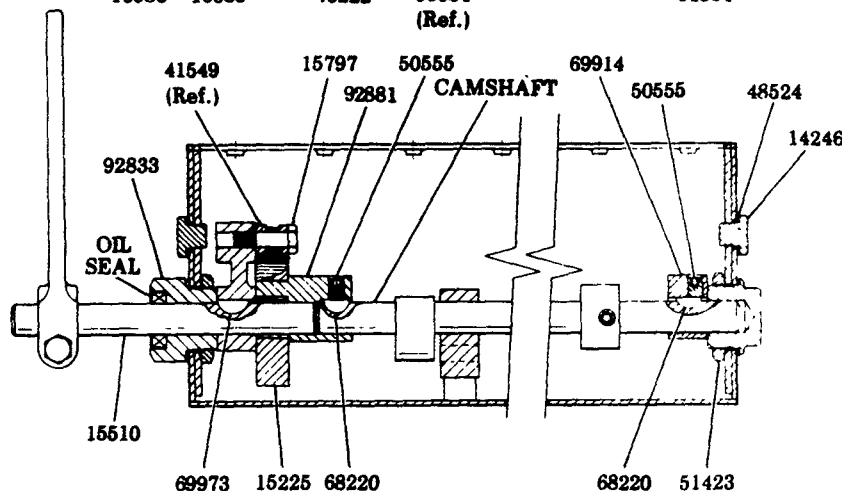
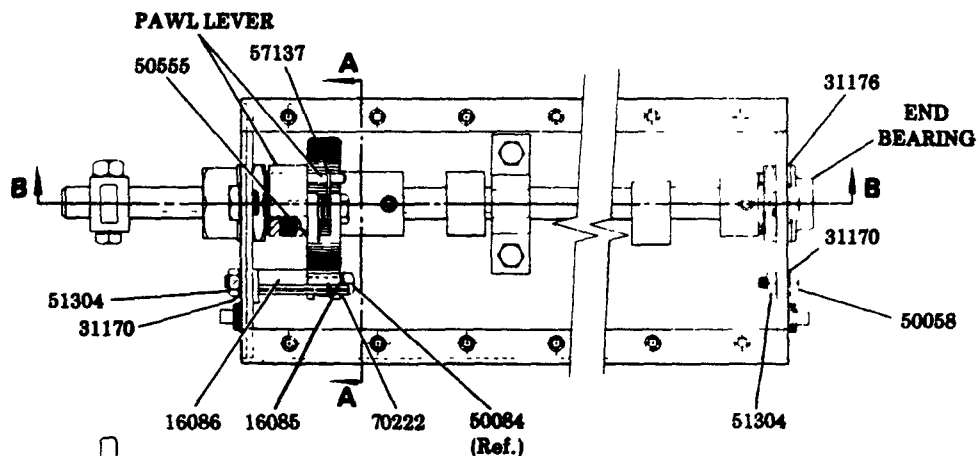
SECTION A-A

CLOCKWISE ROTATION
LEFT HAND SECTION SHOWN



SECTION A-A

COUNTER-CLOCKWISE ROTATION
LEFT HAND SECTION SHOWN



SECTION B-B

DISASSEMBLY INSTRUCTIONS

- 1) Removal of pumps, filler assembly and cover plate allows access to the lubricator drive.
- 2) Unscrew 15797 Pawl Pin and remove 41549 Pawl and 57137 Pawl Spring. Unscrew 51304 Nut with 31170 Gasket from 50084 Screw. Remove screw, 41549 Pawl, 57137 Pawl Spring, 16086 Spacer, and 360904 Bracket.
- 3) Loosen set screws holding cam lobes, 92881 Drive Collar, and Pawl Lever. Move cams clear of their woodruff keys and remove keys. Unscrew 92833 Stuffing Box and End Bearing from both 51423 Nuts. Withdraw camshaft and 15510 Drive Shaft from reservoir while removing cam lobes, drive collar, 15225 Ratchet, and pawl lever.
- 4) To assemble, reverse disassembly instructions.

SERVICE PARTS

PART	QUAN.	DESCRIPTION
14246	2	Plug
15225	1	Ratchet
15510	1	Drive shaft
15797	1	Pawl pin
16085	1	Pawl spacer
16086	1	Spacer
31170	2	Gasket
31176	2	Washer
41549	2	Pawl
48524	2	Washer
50058	1	Screw
50084	1	Screw
50555	2	Set screw
50555	*	Set screw
51304	2	Locknut
51423	2	Locknut
57137	2	Pawl spring
67007	1	Drain plug
68220	1	#3 Woodruff key
68220	*	#3 Woodruff key
69853	1	Oil seal
69914	*	Cam lobe
69973	1	#5 Woodruff key
70222	1	Roll pin
92833	1	Stuffing box
92881	1	Drive collar
360904	1	Bracket

* One per pump station.

LUBRICATOR	DRIVE LOCATION	ROTATION	OIL SEAL	CAMSHAFT	PAWL LEVER	END BEARING
800031	RIGHT HAND	C.W.	69853	15468	92987	40701
800065	LEFT HAND	C.W.	69853	15487	92987	40701
†800098	RIGHT HAND	C.W.	69853	15424	92987	40701
800100	LEFT HAND	C.W.	69853	15424	92987	40701
800103	LEFT HAND	C.W.	69853	15468	92987	40701
800118	RIGHT HAND	C.W.	69853	15424	92987	40701
800142	LEFT HAND	C.C.W.	69853	15469	92988	40701
800155	RIGHT HAND	C.C.W.	69853	15468	92988	40701
800202	RIGHT HAND	C.W.	69853	15487	92987	40701
800313	LEFT HAND	C.W.	69853	15468	92987	40701
800376	RIGHT HAND	C.W.	69853	15426	92987	40701
800689	RIGHT HAND	C.W.	**70001	16184	92987	92833

† Model 800098 includes a partition which requires a 69853 Oil Seal and a 67007 Drain Plug.

©

** Two required.

© Indicates change

RETAIN THIS INFORMATION FOR FUTURE REFERENCE

When ordering replacement parts, list: Part Number, Description, Model Number, and Series Letter.
 LINCOLN ST. LOUIS provides a Distributor Network that stocks equipment and replacement parts.