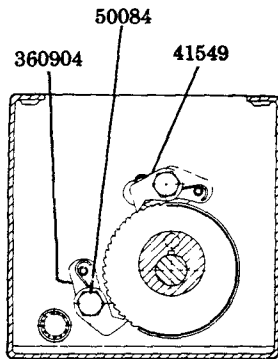


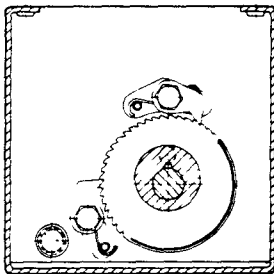
# ROTARY DRIVE ADAPTATION

## INTERNAL RATCHET DRIVE



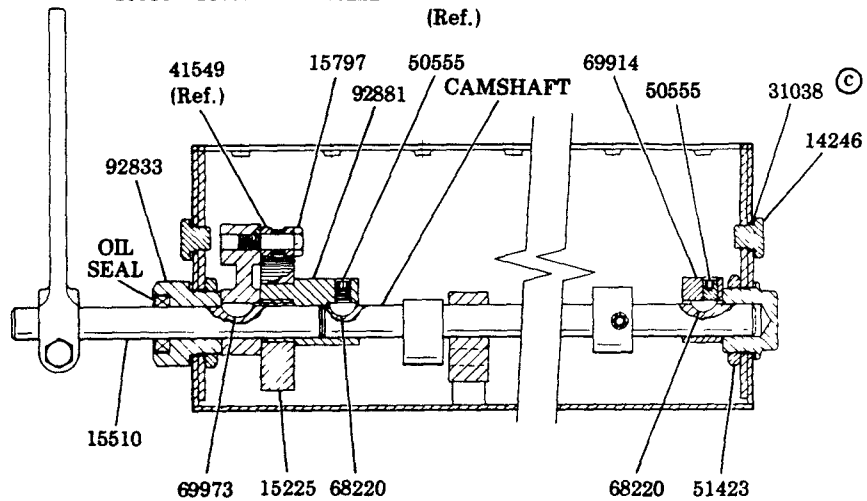
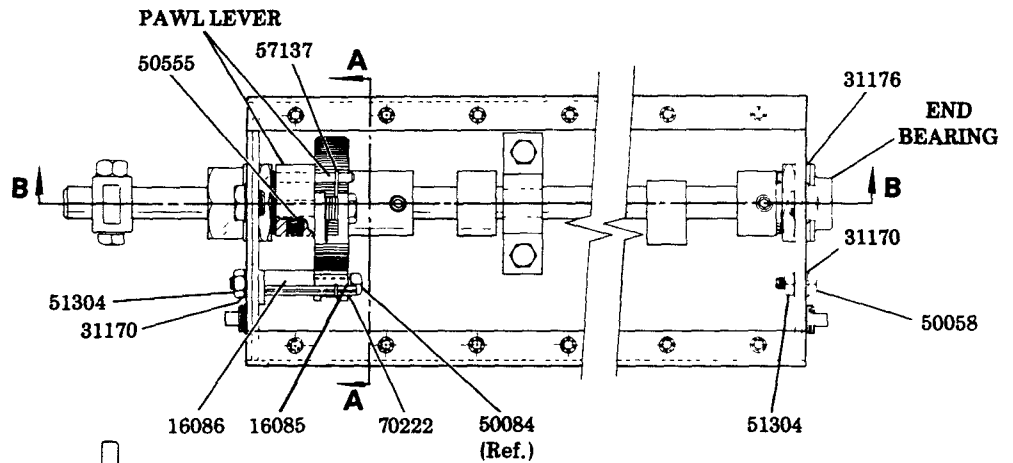
**SECTION A-A**

CLOCKWISE ROTATION  
LEFT HAND SECTION SHOWN



**SECTION A-A**

COUNTER-CLOCKWISE ROTATION  
LEFT HAND SECTION SHOWN



**SECTION B-B**

© Indicates change

### DISASSEMBLY INSTRUCTIONS

- 1) Removal of pumps, filler assembly and cover plate allows access to the lubricator drive.
- 2) Unscrew 15797 Pawl Pin and remove 41549 Pawl and 57137 Pawl Spring. Unscrew 51304 Nut with 31170 Gasket from 50084 Screw. Remove screw, 41549 Pawl, 57137 Pawl Spring, 16086 Spacer, and 360904 Bracket.
- 3) Loosen set screws holding cam lobes, 92881 Drive Collar, and Pawl Lever. Move cams clear of their woodruff keys and remove keys. Unscrew 92833 Stuffing Box and End Bearing from both 51423 Nuts. Withdraw camshaft and 15510 Drive Shaft from reservoir while removing cam lobes, drive collar, 15225 Ratchet, and pawl lever.
- 4) To assemble, reverse disassembly instructions.

**LINCOLN ST. LOUIS**  
4010 GOODFELLOW BLVD • ST. LOUIS, MO 63120 • (314) 679-4200



A DIVISION OF  
**McNEIL**  
CORPORATION

SECTION  
PAGE

M3 -  
31B

## SERVICE PARTS

PART	QUAN.	DESCRIPTION	PART	QUAN.	DESCRIPTION
14246	2	Plug	51304	2	Locknut
15225	1	Ratchet	51423	2	Locknut
15510	1	Drive shaft	57137	2	Pawl spring
15797	1	Pawl pin	67007	1	Drain plug
16085	1	Pawl spacer	68220	1	#3 Woodruff key
16086	1	Spacer	68220	*	#3 Woodruff key
31038	2	Washer	69853	1	Oil seal
31170	2	Gasket	69914	*	Cam lobe
31176	2	Washer	69973	1	#5 Woodruff key
41549	2	Pawl	70222	1	Roll pin
50058	1	Screw	92833	1	Stuffing box
50084	1	Screw	92881	1	Drive collar
50555	2	Set screw	360904	1	Bracket
50555	*	Set screw			

\*One per pump station.

LUBRICATOR	DRIVE LOCATION	ROTATION	OIL SEAL	CAMSHAFT	PAWL LEVER	END BEARING
800031	Right Hand	C.W.	69853	15468	92987	40701
800065	Left Hand	C.W.	69853	15487	92987	40701
†800094	Left Hand	C.W.	69853	15424	92987	40701
†800098	Right Hand	C.W.	69853	15424	92987	40701
800100	Left Hand	C.W.	69853	15424	92987	40701
800103	Left Hand	C.W.	69853	15468	92987	40701
800118	Right Hand	C.W.	69853	15424	92987	40701
800142	Left Hand	C.C.W.	69853	15469	92988	40701
800155	Right Hand	C.C.W.	69853	15468	92988	40701
800202	Right Hand	C.W.	69853	15487	92987	40701
800220	Right Hand	C.C.W.	69853	15487	92988	40701
800267	Right Hand	C.W.	69853	15466	92987	40701
800313	Left Hand	C.W.	69853	15468	92987	40701
800351	Left Hand	C.W.	69853	15426	92987	40701
800362	Right Hand	C.W.	69853	15469	92987	40701
800376	Right Hand	C.W.	69853	15426	92987	40701
800689	Right Hand	C.W.	**70001	16184	92987	92833
†800877	Right Hand	C.W.	69853	15468	92987	40701

†Models 800094, 800098 & 800877 include a partition which requires a 69853 Oil Seal and a 67007 Drain Plug.

\*\*Two required.

### RETAIN THIS INFORMATION FOR FUTURE REFERENCE

When ordering replacement parts, list: Part Number, Description, Model Number, and Series Letter.  
 LINCOLN ST. LOUIS provides a Distributor Network that stocks equipment and replacement parts.