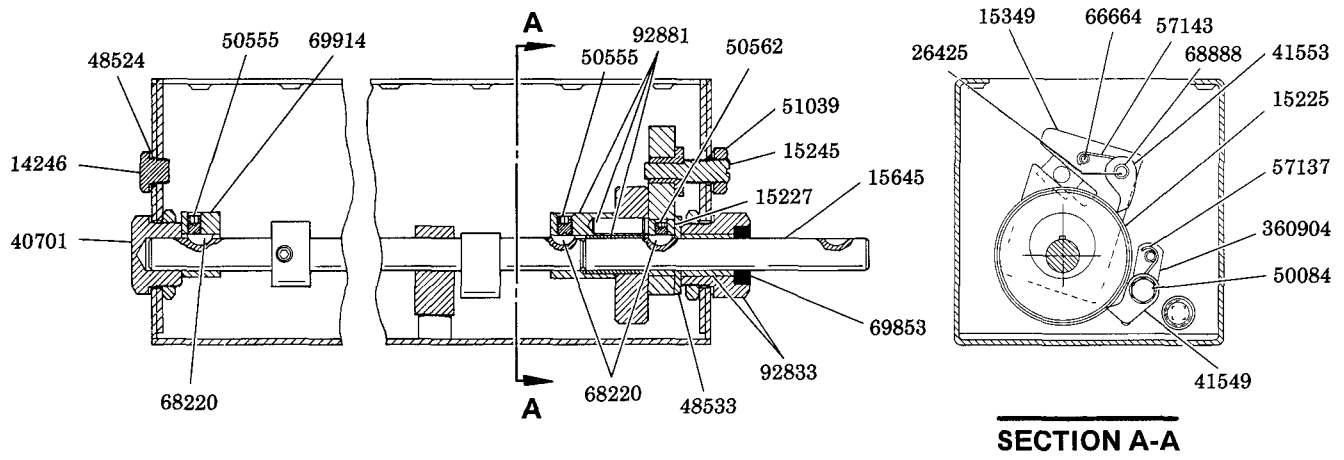
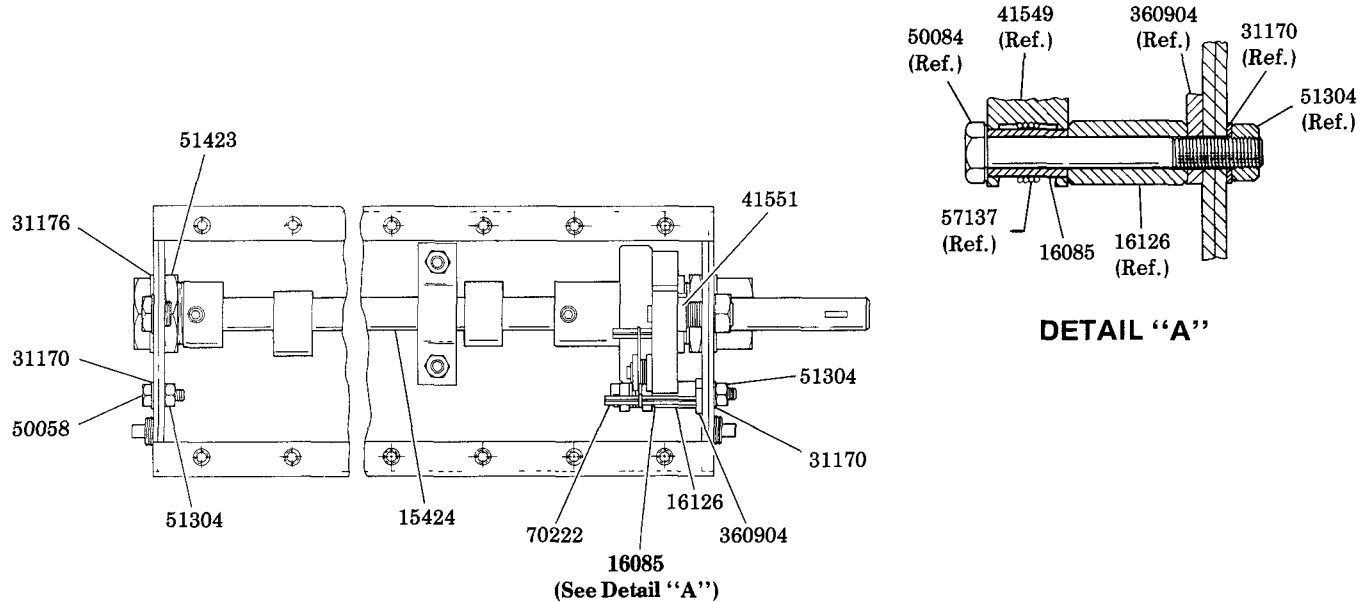


RATCHET DRIVE ADAPTATION

R.H. END DRIVE
C.C.W. ROTATION
800070 SERIES LUBRICATOR



DISASSEMBLY INSTRUCTIONS

Drain reservoir and remove pumps, filler assembly and cover plate to allow access to lubricator drive.

Unscrew 51304 Nut from 50084 Screw and remove washer. Withdraw 50084 Screw from inside of reservoir leaving 41549 Pawl, 57137 Pawl Spring, 16126 Spacer, 70222 Spring Pin and 360904 Bracket assembled on screw.

Loosen 50555 Set Screws holding 69914 Cam Lobes and 92881 Eccentric & Drive Collar to camshaft. Move cam lobes clear of their 68220 Woodruff Keys and remove keys. Unscrew 51423 Locknut

from 40701 End Bearing. Remove end bearing and 31176 Washer. Withdraw camshaft from reservoir. Remove 92881 Eccentric & Drive Collar and 15225 Ratchet from drive shaft. Remove 15349 Rotary Drive Arm leaving 41553 Pawl, 68888 Retaining Ring, 57143 Pawl Spring, 26425 Roll Pin attached. Loosen 50562 Set Screw holding 15227 Drive Eccentric to drive shaft. Remove drive eccentric, 68220 Woodruff Key and 48533 Washer. Withdraw drive shaft from reservoir. Unscrew 51423 Locknut from 92833 Stuffing Box. Remove stuffing box and 31176 Washer from reservoir.

To assemble, reverse disassembly instructions.

LINCOLN ST. LOUIS
4010 GOODFELLOW BLVD • ST LOUIS, MO 63120 • (314) 383 5900



A DIVISION OF
McNEIL
CORPORATION

SECTION -M3
PAGE -32

SERVICE PARTS

PART	QUAN.	DESCRIPTION
14246	1	Plug
15225	1	Ratchet
15227	1	Drive eccentric
15245	1	Screw
15349	1	Rotary drive arm
15424	1	Camshaft
15645	1	Drive shaft
16085	1	Pawl spacer
16126	1	Spacer
26425	1	Roll pin
31170	2	Washer
31176	2	Washer
40701	1	End bearing
41549	1	Brake pawl
41551	1	Slide block
41553	1	Pawl
48524	2	Washer
48533	1	Washer
50058	1	Screw
50084	1	Screw
50555	1	Set screw
50555	*	Set screw
50562	1	Set screw
51039	1	Nut
51304	2	Locknut
51423	2	Locknut
57137	1	Pawl spring
57143	1	Pawl spring
66664	1	Pin
68220	2	#3 Woodruff key
68220	*	#3 Woodruff key
68888	1	Retaining ring
69853	1	Oil seal
69914	*	Cam lobe
70222	1	Spring pin
92833	1	Stuffing box
92881	1	Eccentric & drive collar
360904	1	Bracket

*1 per pump

RETAIN THIS INFORMATION FOR FUTURE REFERENCE

When ordering replacement parts, list: Part Number, Description, Model Number, and Series Letter.

LINCOLN ST. LOUIS provides a Distributor Network that stocks equipment and replacement parts.