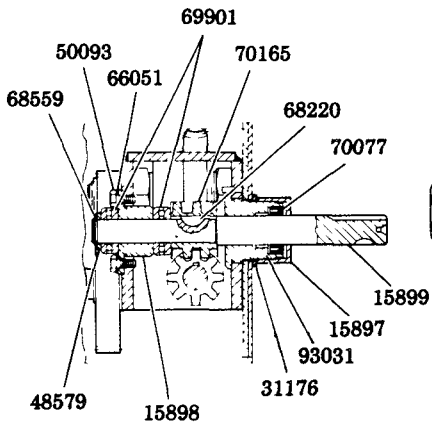
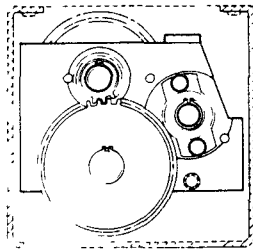
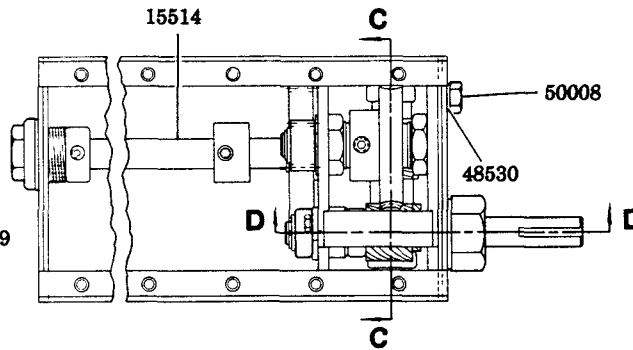


ROTARY DRIVE ADAPTATION

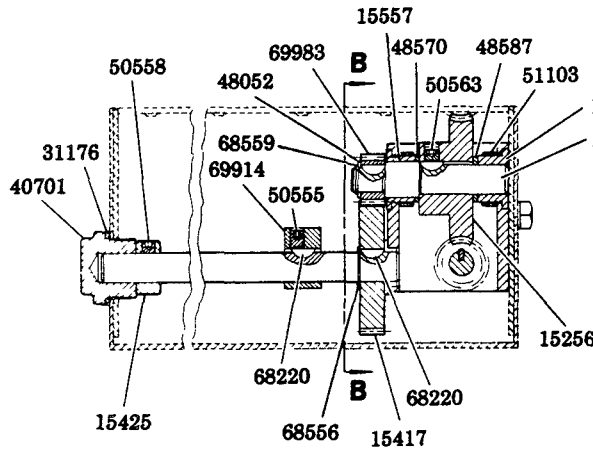
INTERNAL END ROTARY DRIVE
117:1 RATIO - C.C.W. ROTATION
800174 SERIES LUBRICATOR



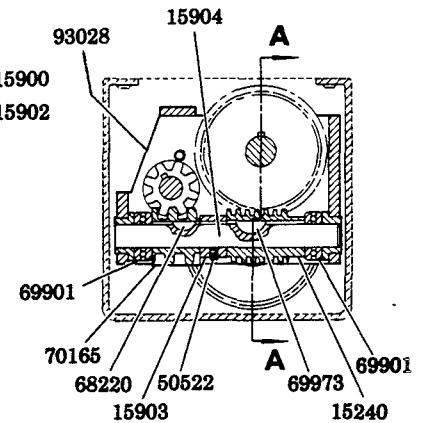
SECTION D-D



SECTION B-B



SECTION A-A



SECTION C-C

DISASSEMBLY INSTRUCTIONS

- 1) Drain reservoir and remove pumps, filler assembly and cover plate to allow access to lubricator drive.
- 2) Loosen set screws in 69914 Cam Lobes. Unscrew 40701 End Bearing and remove 31176 Washer. Withdraw 15514 Camshaft from reservoir while removing 15417 Spur Gear, 68556 Retaining Ring, cam lobes and 68220 Woodruff Keys.
- 3) Unscrew 50008 Screw and remove 48530 Washer. Remove 15897 Drive Bearing Cap and 31176 Washer from 93031 Drive Bearing.
- 4) (Section D-D) Remove 68559 Retaining Ring, 48579 Washer and 69901 Thrust Bearing. Withdraw 15899 Drive Shaft and 68220 Woodruff Key from reservoir while removing 69901 Thrust Bearing and 70165 Left Hand Helical Gear. The 93028 Drive Bracket can now be removed.
- 5) (Section A-A) Remove 68559 Retaining Ring, 48052 Washer, 69983 Spur Gear with 68220 Woodruff Key. Loosen 50563 Set

Screw in 15256 Worm Gear and withdraw 15902 Worm Gear Shaft and 68220 Woodruff Key from drive bracket while removing 48587 Washer, worm gear and 48570 Washer.

- 6) (Section C-C) Loosen 50522 Set Screw in 15903 Spacer. Slide shaft right until 69973 Woodruff Key is stopped by the 69901 Thrust Bearing. Remove left thrust bearing. Slide shaft left until the right thrust bearing can be removed. Separate 70165 Left Hand Helical Gear and 15240 Worm for removal of their keys. Withdraw 15904 Worm Shaft from drive bracket and remove worm, spacer and left hand helical gear.

NOTE: When assembling 15904 Worm Shaft and parts into drive bracket, align keyways of worm, spacer and left hand helical gear with keyseats in worm shaft for ease of assembly.

- 7) To assemble, reverse disassembly instructions.



LINCOLN, One Lincoln Way
St. Louis, Missouri 63120-1578
(314) 679-4200 Customer Service, (314) 679-4300

SECTION -M3
PAGE -37

SERVICE PARTS

PART	QUAN.	DESCRIPTION	PART	QUAN.	DESCRIPTION
15240	1	Worm	50008	1	Screw
15256	1	Worm gear	50093	2	Screw
15417	1	Spur gear	50522	1	Set screw
15425	1	Stop collar	50555	*	Set screw
15514	1	Camshaft	50558	1	Set screw
15557	1	Bearing	50563	1	Set screw
15897	1	Drive bearing cap	51103	2	Nut
15898	1	End bearing	66051	2	Lockwasher
15899	1	Drive shaft	68220	5	#3 Woodruff key
15900	1	Bearing	68220	*	#3 Woodruff key
15902	1	Worm gear shaft	68556	1	Retaining ring
15903	1	Spacer	68559	2	Retaining ring
15904	1	Worm shaft	69901	4	Thrust bearing
31176	2	Washer	69914	*	Cam lobe
40701	1	End bearing	69973	1	#5 Woodruff key
48052	1	Washer	69983	1	Spur gear
48530	1	Washer	70077	1	Oil seal
48570	1	Washer	70165	2	Left hand helical gear
48579	1	Washer	93028	1	Drive bracket
48587	1	Washer	93031	1	Drive bearing

* 1 per pump station

RETAIN THIS INFORMATION FOR FUTURE REFERENCE

When ordering replacement parts, list: Part Number, Description, Model Number, and Series Letter.

LINCOLN ST. LOUIS provides a Distributor Network that stocks equipment and replacement parts.