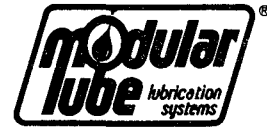
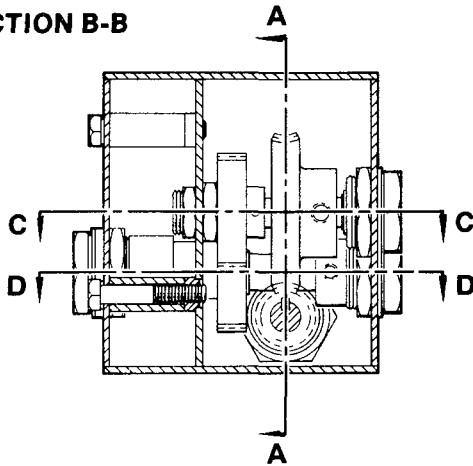


# ROTARY DRIVE ADAPTATION

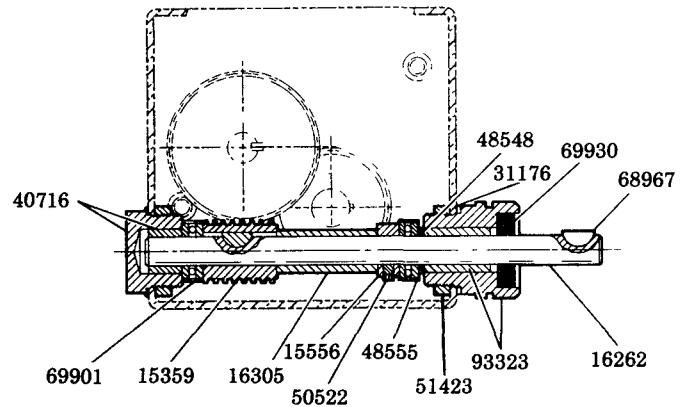
REAR ROTARY DRIVE, 56:1 RATIO  
800698 SERIES LUBRICATOR



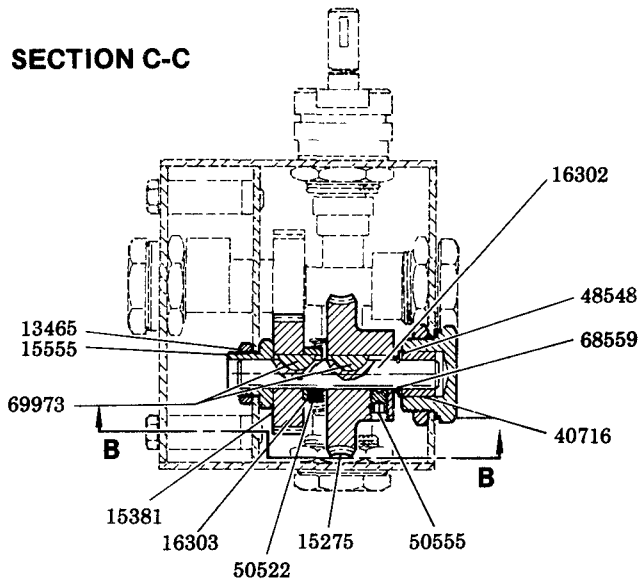
SECTION B-B



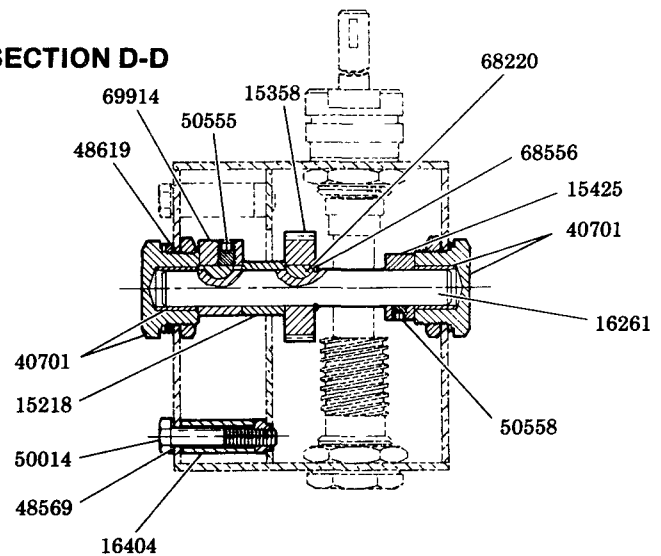
SECTION A-A



SECTION C-C



SECTION D-D



## DISASSEMBLY INSTRUCTIONS

Drain reservoir and remove pump, slot cover, cover plate, gasket and gauge glass assembly to allow access to lubricator drive.

### Drive Shaft (Section A-A):

Remove 68967 Woodruff Key from drive shaft. Unscrew 51423 Nut from 93323 Stuffing Box and remove stuffing box with 31176 Washer from drive shaft. Withdraw drive shaft from reservoir. Remove 48548 Washer and 48555 Shims, note quantity of shims. The 69901 Thrust Bearings and 15359 Worm can be removed from drive shaft if necessary.

### Gear Shaft (Section C-C):

Unscrew 51423 Nut from 40716 End Bearing. Remove end bearing with 31176 Washer from gear shaft. Loosen 50555 Set Screw on 15275 Worm Gear and 50522 Set Screw on 16303 Collar. Using

gauge glass hole for access, gently tap gear shaft past 15555 Bearing. Angle shaft and attached parts up and out of lubricator. The 15381 Gear, 16303 Collar and 15275 Worm Gear can be removed from gear shaft if necessary.

### Camshaft (Section D-D):

Loosen 50555 Set Screw on 69914 Cam Lobe and 50558 Set Screw on 15425 Collar. Unscrew 51423 Nut from 40701 End Bearing. Remove end bearing, 31176 Washer and 15425 Collar from camshaft. Withdraw camshaft enough to clear bearing plate, then angle camshaft up and out of reservoir. The 69914 Cam Lobe, 15218 Spacer and 15358 Gear can be removed if necessary. Unscrew 51423 Nut from other 40701 End Bearing. Remove end bearing with 31176 Washer and 48619 Washer.

To assemble, reverse disassembly instructions.

**LINCOLN ST. LOUIS**  
4010 GOODFELLOW BLVD · ST. LOUIS, MO 63120 · (314) 383-5900



A DIVISION OF  
**McNEIL**  
CORPORATION

SECTION - **M3**  
PAGE - **38**

## SERVICE PARTS

PART	QUAN.	DESCRIPTION
13465	1	Nut
15218	1	Spacer
15275	1	Worm gear
15358	1	Gear
15359	1	Worm
15381	1	Gear
15425	1	Collar
15555	1	Bearing
15556	1	Collar
16261	1	Camshaft
16262	1	Drive shaft
16302	1	Gear shaft
16303	1	Collar
16305	1	Spacer
16404	3	Spacer
31176	5	Washer
40701	2	End bearing
40716	2	End bearing
48548	2	Washer
48555	5	Shim
48569	3	Washer
48619	1	Washer
50014	3	Screw
50522	2	Set screw
50555	2	Set screw
50558	1	Set screw
51423	5	Nut
68220	3	#3 Woodruff key
68556	1	Retaining ring
68559	1	Retaining ring
68967	1	#1 Woodruff key
69901	2	Thrust bearing
69914	1	Cam lobe
69930	1	Oil seal
69973	2	#5 Woodruff key
93323	1	Stuffing box

**RETAIN THIS INFORMATION FOR FUTURE REFERENCE**

When ordering replacement parts, list: Part Number, Description, Model Number, and Series Letter.  
 LINCOLN ST. LOUIS provides a Distributor Network that stocks equipment and replacement parts.