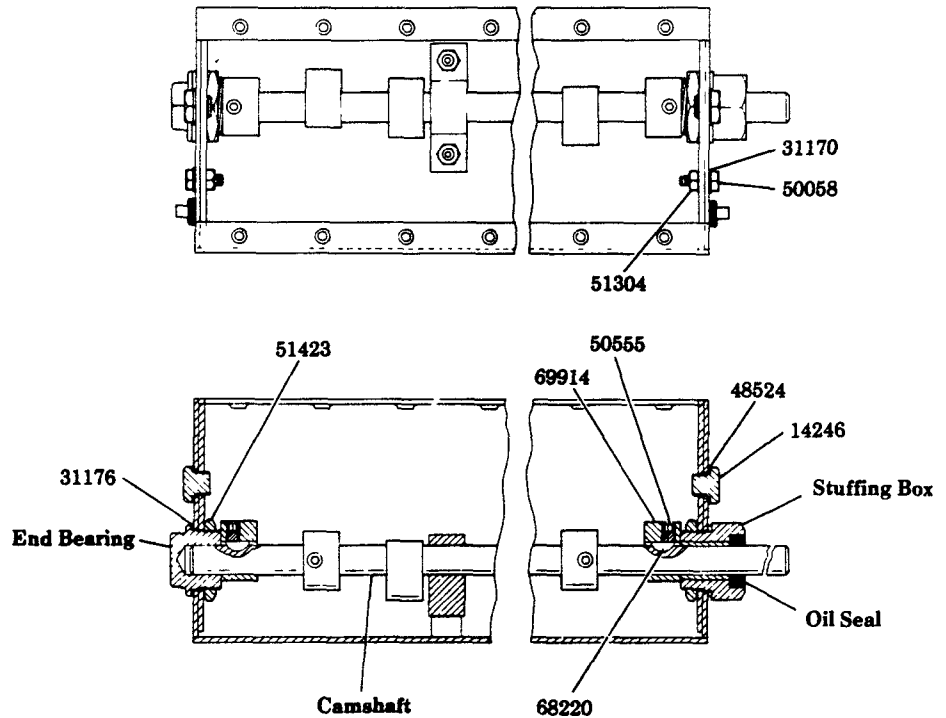
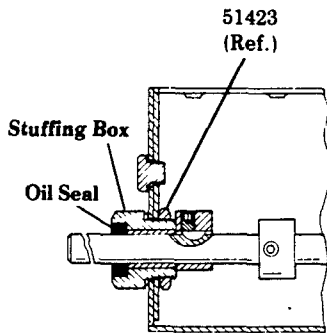


ROTARY DRIVE ADAPTATION

1:1 RATIO



**USED ON
MODEL 800516 LUBRICATOR**



DISASSEMBLY INSTRUCTIONS

Drain reservoir and remove pumps, filler assembly and cover plate to allow access to lubricator drive.

Loosen 50555 Set Screws holding 69914 Cam Lobes. Move cam lobes clear of their 68220 Woodruff Keys and remove keys.

On Models 800371 & 800603 Lubricators, unscrew 51423 Locknuts from 92833 Stuffing Box and 40701 End Bearing. Remove stuffing

box, end bearing and 31176 Washers from reservoir. Withdraw camshaft from reservoir.

On Model 800516 Lubricator, unscrew 51423 Locknuts from 92833 Stuffing Boxes. Remove stuffing boxes and 31176 Washers. Withdraw camshaft from reservoir.

To assemble, reverse disassembly instructions.

SERVICE PARTS

PART	QUAN.	DESCRIPTION	PART	QUAN.	DESCRIPTION
14246	2	Plug	50555	*	Set screw
31170	2	Gasket	51304	2	Locknut
31176	2	Washer	51423	2	Locknut
48524	2	Washer	68220	*	#3 Woodruff key
50058	2	Screw	69914	*	Cam lobe

*1 per pump

LUBRICATOR	CAMSHAFT	92833 STUFFING BOX	69853 OIL SEAL	40701 END BEARING
800371	15630	1 req'd.	1 req'd.	1 req'd.
800516	15729	2 req'd.	2 req'd.	—
800603	15700	1 req'd.	1 req'd.	1 req'd.



LINCOLN, One Lincoln Way
St. Louis, Missouri 63120-1578
(314) 679-4200 Customer Service, (314) 679-4300

SECTION - M3
PAGE - 39