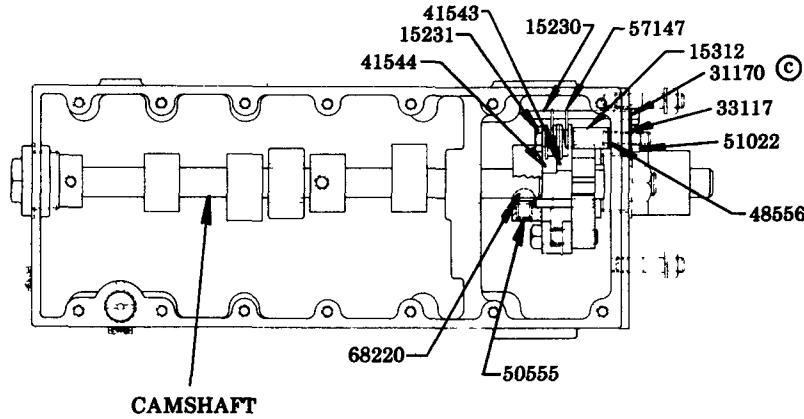
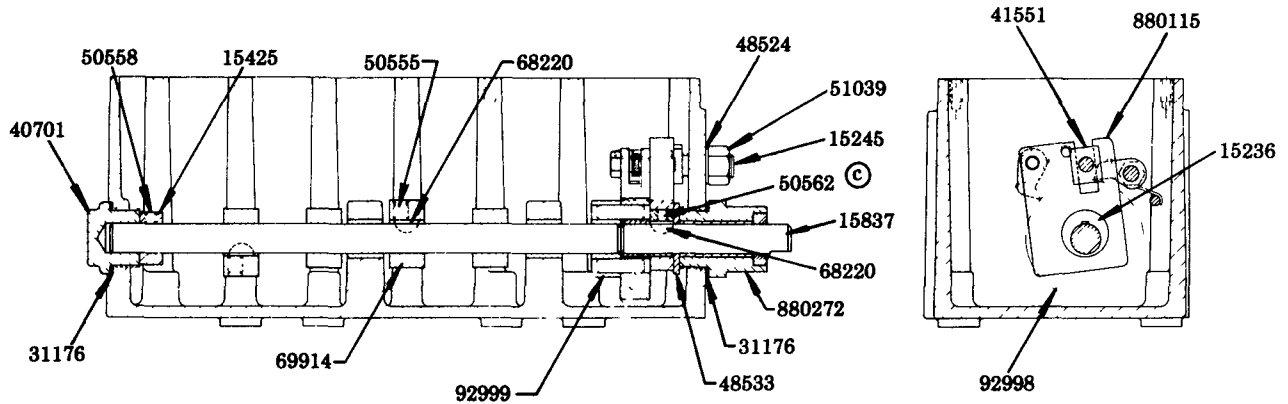


ROTARY DRIVE ADAPTATION

R.H. END DRIVE
37.5:1 RATIO



Ⓢ Indicates change



LUBRICATOR	CAMSHAFT
800015	15840
800051	15839

DISASSEMBLY INSTRUCTIONS

Removal of Pumps, Filler Assembly and Cover Plate allows access to the Lubricator Drive.

Loosen Set Screws holding 15425 Stop Collar, 69914 Cam Lobes and 92999 Drive Collar to Camshaft. Move each Cam Lobe clear of its 68220 Woodruff Key and remove Keys. Unscrew 40701 End Bearing and pull Camshaft through End Bearing opening in Reservoir until Woodruff Key is clear of Drive Collar, then remove Key. Withdraw Camshaft from Reservoir leaving Stop Collar and Cam Lobes loose in Reservoir. Slide 92998 Ratchet from Drive Shaft. Unscrew 51022 Nut and remove 15231 Pawl Pin, 41543 and 41544 Brake pawls, 57147 Springs, 15312 Spacer and 48556 Shims. Note number and location of Shims. Remove 880115 Ratchet Drive Assembly from Drive Shaft. Loosen 50562 Set Screw holding 15236 Cam to Drive Shaft, then remove Cam and its 68220 Woodruff Key. Remove 48533 Washer from Drive Shaft, unscrew 880272 Stuffing Box Assembly from Reservoir and withdraw Stuffing Box and Drive Shaft. Remove 41551 Slide Block from 15245 Guide Screw, remove 51039 Hex Nut and unscrew 15245 Guide Screw. If necessary, remove 15230 Pawl Spring Pin.

To assemble, reverse disassembly procedure.

LINCOLN ST. LOUIS
4010 GOODFELLOW BLVD · ST LOUIS, MO 63120 · (314) 383-5900



SECTION - **M3**
PAGE - **3A**

SERVICE PARTS

PART	QUAN.	DESCRIPTION
15230	1	Pawl spring pin
15231	1	Pawl pin
15236	1	Cam
15245	1	Guide screw
15312	1	Spacer
15425	1	Stop collar
15837	1	Drive shaft
31170	1	Fiber washer
31176	2	Aluminum washer
33117	1	Washer
40701	1	End bearing
41543	1	Brake pawl (short)
41544	1	Brake pawl (long)
41551	1	Drive arm slide
48524	1	Washer
48533	1	Washer
48556	7*	Shim
50555	1	Set screw
50555	**	Set screw
50558	1	Set screw
50562	1	Set screw
51022	1	Nut
51039	1	Nut
57147	2	Brake pawl spring
68220	2	#3 woodruff key
68220	**	#3 woodruff key
69914	**	Cam lobe
92998	1	Ratchet
92999	1	Drive collar
880115	1	Drive arm assembly
880272	1	Stuffing box assembly

*Use as needed to align Brake Pawls and Ratchet.

**One per pump

RETAIN THIS INFORMATION FOR FUTURE REFERENCE

When ordering replacement parts, list: Part Number, Description, Model Number, and Series Letter.

LINCOLN ST. LOUIS provides a Distributor Network that stocks equipment and replacement parts.

903 561 5812