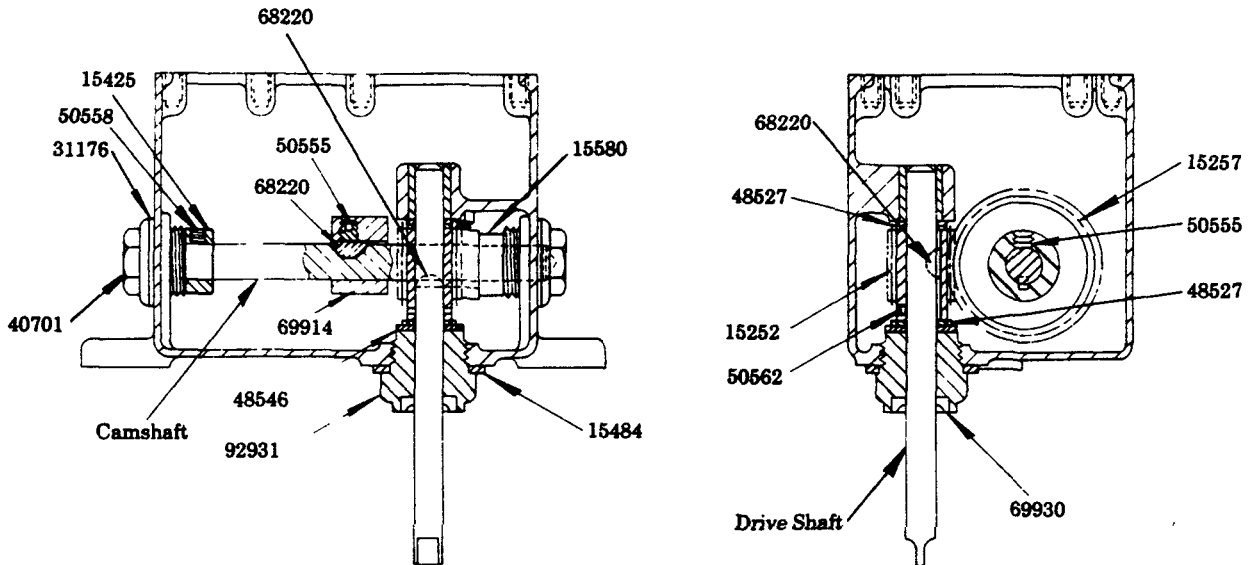


ROTARY DRIVE ADAPTATION

BOTTOM VERTICAL DRIVE
30:1 RATIO



DISASSEMBLY INSTRUCTIONS

Removal of all pumps, filler and cover plate assembly allows access to the lubricator drive.

Unscrew 92931 Drive Shaft Bearing and withdraw drive shaft, 48546 Washer, 48527 Washers and 15252 Worm from reservoir.

Unscrew 40701 End Bearing from left end of lubricator. Loosen set screws holding 15425 Stop Collar, 69914 Cam Lobes and 15257 Worm Gear to camshaft. Pull camshaft through end bearing opening in reservoir leaving stop collar, cam lobes, worm gear, and 15580 Spacer loose in reservoir.

To assemble, reverse disassembly instructions.

Lubricator	Camshaft	Drive Shaft
800006	15408	15418
800231	15409	15418
800268	15957	15601
800307	15856	15418

SERVICE PARTS

PART	QUAN.	DESCRIPTION
15252	1	Worm
15257	1	Worm gear
15425	1	Stop collar
15484	1	Washer
15580	1	Spacer
31176	2	Washer
40701	2	End bearing
48527	3	Washer
48546	1	Washer
50555	1	Set screw
50555	*	Set screw
50558	1	Set screw
50562	1	Set screw
68220	2	#3 Woodruff key
68220	*	#3 Woodruff key
69914	*	Cam lob
69930	1	Oil seal
92931	1	Drive shaft bearing

*One per pump



LINCOLN, One Lincoln Way
St. Louis, Missouri 63120-1578
(314) 679-4200 Customer Service, (314) 679-4300

SECTION -M3
PAGE -6A