

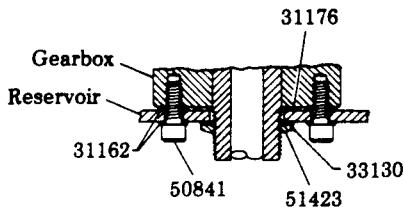
ROTARY DRIVE ADAPTATION

EXTERNAL WORM AND GEAR DRIVE

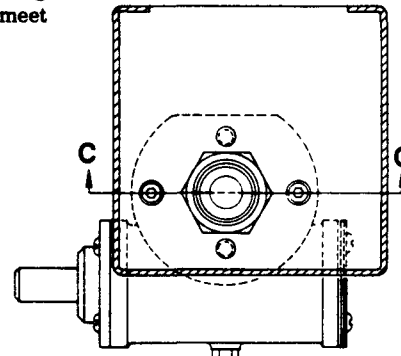
60:1 RATIO



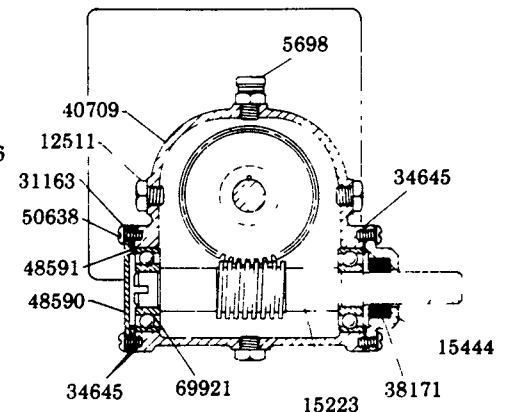
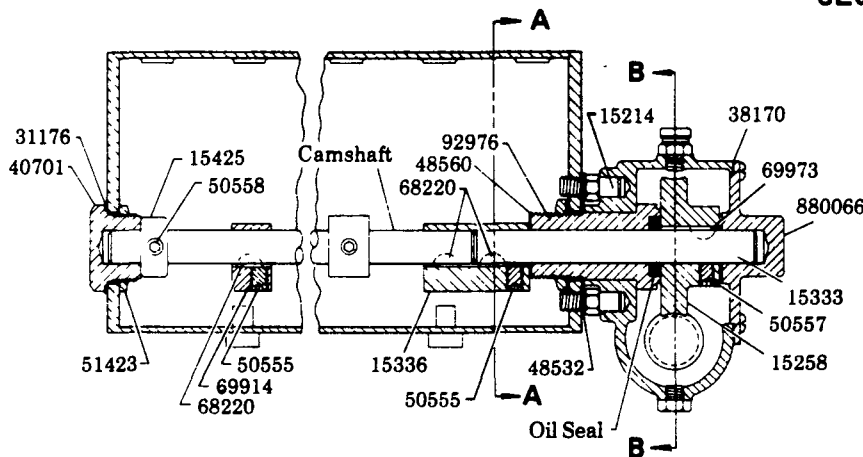
Gearbox may be turned up or down on all models with worm shaft extruding from either end of housing to meet customer's needs.



SECTION C-C



SECTION A-A



SECTION B-B

DISASSEMBLY INSTRUCTIONS

Remove pumps, filler assembly and cover plate.

Drain gearbox by removing 12511 Plugs and unscrew 5698 Vent Fitting.

Loosen set screws holding stop collar, eccentric and cam lobes to camshaft and drive shaft. Move each cam lobe and eccentric clear of its woodruff key and remove keys. Unscrew 51423 Nuts and remove 50841 Screws and 31162 Washers. Remove 40701 End Bearing with 31176 Washer and withdraw camshaft leaving eccentric, cam lobes and stop collar loose in reservoir. Withdraw gear box with drive shaft from reservoir.

Remove 50638 Screws and 31163 Washers from 880066 Cover Assembly and remove cover assembly and 38170 Cover Gasket from gearbox. Loosen 50557 Set Screw and remove 15333 Drive Shaft and 69973 Key from gearbox. Remove worm gear and 92976 Bearing Assembly with oil seal.

Unscrew 50638 Screws and 31163 Washers from 48590 Cover Plate and 15444 Cap. Remove cap and 38171 Oil Seal, cover plate, 34645 Gaskets and 48591 Spacer from gearbox. Worm shaft and 69921 Bearings can be removed from gearbox.

To assemble, reverse disassembly procedure and fill gearbox with 90 weight gear oil.



A PENTAIR COMPANY

One Lincoln Way
St. Louis, MO 63120-1578
(314) 679-4200
Customer Service, (314) 679-4300

SECTION - M3

PAGE - 8

LUBRICATOR	RESERVOIR SIZE	CAMSHAFT	OIL SEAL
800050	2 Gallon	15631	70001
800053	2 Gallon	15631	70001
800054	1½ Gallon	15576	70001
800341	2 Gallon	15631	70001
800422	1½ Gallon	15576	70001
800577	1½ Gallon	15576	69853

OIL SEALS

69853 - Buna-N Material

70001 - Viton Material

SERVICE PARTS

PART	QUAN.	DESCRIPTION
5698	1	Vent fitting
12511	3	Plug
15214	2	Pin
15223	1	Worm shaft
15258	1	Worm gear
15333	1	Drive shaft
15336	1	Eccentric
15425	1	Stop collar
15444	1	Cap
31162	4	Washer
31163	14	Washer
31176	2	Washer
33130	1	Washer
34645	3	Gasket
38170	1	Gasket
38171	1	Seal
40701	1	End bearing
40709	1	Housing
48532	2	Washer
48560	1	Washer
48590	1	Cover
48591	1	Spacer
50555	1	Set screw
50555	**	Set screw
50557	1	Set screw
50558	1	Set screw
50638	14	Screw
50841	2	Cap screw
51423	2	Nut
68220	2	#3 Woodruff key
68220	**	#3 Woodruff key
69914	**	Cam lobe
69921	2	Bearing
69973	1	#5 Woodruff key
92976	1	Bearing assembly
880066	1	Cover assembly

** One per pump station.

RETAIN THIS INFORMATION FOR FUTURE REFERENCE

When ordering replacement parts, list: Part Number, Description, Model Number, and Series Letter.

LINCOLN ST. LOUIS provides a Distributor Network that stocks equipment and replacement parts.