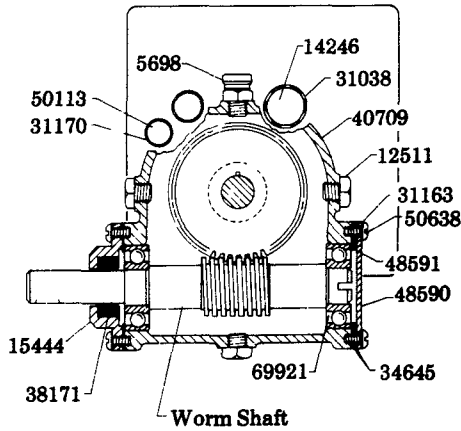


ROTARY DRIVE ADAPTATION

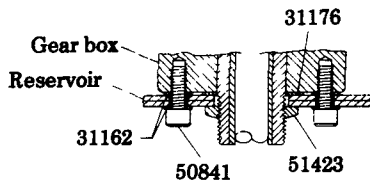
EXTERNAL WORM AND GEAR DRIVE



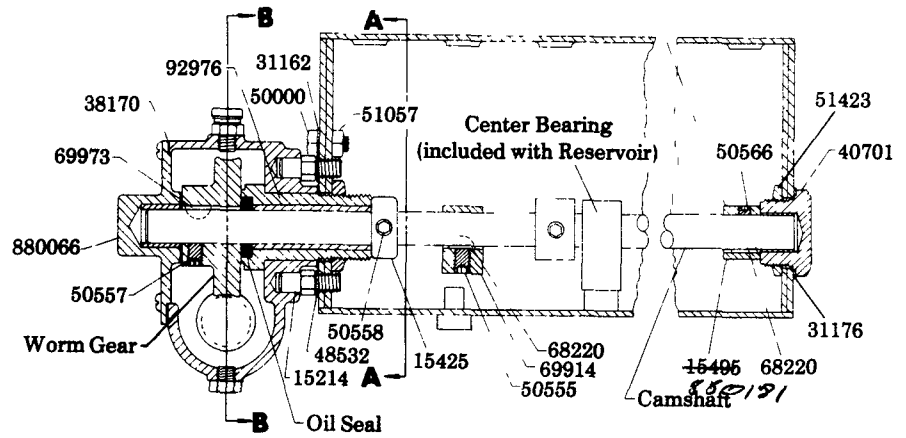
End Pump Station
Single Lobe or Square Cam Req'd (See Chart)
Square Cam Shown



SECTION B-B



SECTION C-C



SECTION A-A

Gearbox may be turned up or down on all models with Worm Shaft protruding from either end of Housing to meet customer's needs.

DISASSEMBLY INSTRUCTIONS

Remove pumps, filler assembly and cover plate.

Drain gearbox by removing 12511 Plugs and unscrew 5698 Vent Fitting.

Loosen set screws holding stop collar and cam lobes to camshaft. Move each cam lobe clear of its woodruff key and remove keys. Unscrew 51423 Nuts and remove 50841 Screws and 31162 Washers. Remove 40701 End Bearing, 31176 Washers and camshaft with gearbox from reservoir leaving stop collars, cam lobes and nuts loose in reservoir. Remove 15214 Pins and 48532 Washers, 50113 Screw and 31170 Washer, 14246 Screw and 31038 Washer, and 50000 Screw, 31162 Washer and 51057 Nut from reservoir.

Remove 50638 Screws and 31163 Washers from 880066 Cover Assembly and remove cover assembly and 38170 Cover Gasket from gearbox. Loosen 50557 Set Screw and remove camshaft and 69973 Key from gearbox. Remove worm gear and 92976 Bearing Assembly with oil seal.

Unscrew 50638 Screws and 31163 Washers from 48590 Cover Plate and 15444 Cap. Remove cap and 38171 Oil Seal, cover plate, 34645 Gaskets and 48591 Spacer from gearbox. Worm shaft and 69921 Bearings can be removed from gearbox.

To assemble, reverse disassembly procedure and fill gear box with 90 weight gear oil.

LINCOLN ST. LOUIS
4010 GOODFELLOW BLVD · ST. LOUIS, MO 63120 · (314) 383 5900



SECTION -M3
PAGE - 9

LUBRICATOR	DRIVE	RESERVOIR	CAMSHAFT	CAM	OIL SEAL
800059	880050-11	2 Quart	15587	Square	Synthetic
800083	880050-12	2 Quart	15587	Single	Standard
800085	880050-13	2 Quart	15587	Single	Standard
800158	880050-5	2 Quart	15587	Square	Standard
800167	880050-18	2 Quart	15587	Single	Standard
800189	880050-3	2 Quart	15587	Single	Standard
800214	880050-10	2 Quart	15587	Single	Standard
800215	880050-4	2 Quart	15587	Single	Standard
800230	880050-17	2 Quart	15587	Single	Standard
800237*	880050-15	2 Quart	15587	Single	Standard
800243	880050-14	2 Quart	15587	Single	Standard
800315	880050-9	2 Quart	15587	Single	Synthetic
800316	880050-10	2 Quart	15587	Single	Standard
800317	880050-9	2 Quart	15587	Single	Standard
800462	880050-4	2 Quart	15587	Single	Standard
800463	880050-13	2 Quart	15587	Single	Standard
800464	880050-10	2 Quart	15587	Single	Standard
800494	880050-16	2 Quart	15587	Single	Standard
800526	880050-10	1 Gallon	15641	Single	Standard
800558	880050-5	1 Quart	16109	Single	Standard
800566	880050-4	3 Pint	15640	Single	Standard
800584	880050-19	2 Quart	15587	Single	Standard
800619	880050-11	2 Quart	15587	Square	Synthetic
800635*	880050-15	2 Quart	15587	Single	Standard

OIL SEALS- 69853 Standard
70001 Synthetic

*These models use a double end worm shaft
(15444 Cap, 38171 Oil Seal & 34645 Gasket are
used on both ends of 40709 Housing.)

DRIVE	WORM SHAFT	WORM GEAR	RATIO
880050-3	15201	15257	30:1
880050-4	15224	15256	40:1
880050-5	15223	15258	60:1
880050-9	15880	15257	30:1
880050-10	15588	15256	40:1
880050-11	15178	15258	60:1
880050-12	15809	15256	40:1
880050-13	15931	69835	10:1
880050-14	15966	15256	40:1
880050-15*	15222	15256	40:1
880050-16	15978	15257	30:1
880050-17	16066	15256	40:1
880050-18	15831	15257	30:1
880050-19	16138	15258	60:1

SERVICE PARTS

PART	QUAN.	DESCRIPTION	PART	QUAN.	DESCRIPTION	PART	QUAN.	DESCRIPTION
5698	1	Vent fitting	38170	1	Gasket	50566	1	Set screw
12511	3	Plug	38171	1	Oil seal	50638	14	Screw
14246	1	Screw	40701	1	End bearing	50841	2	Cap screw
15214	2	Pin	40709	1	Housing	51057	1	Nut
15425	1	Stop collar	48532	2	Washer	51423	2	Nut
15444	1	Cap	48590	1	Cover	68220	1	#3 Woodruff key
15495	1	Square cam lobe	48591	1	Spacer	68220	**	#3 Woodruff key
31038	1	Washer	50000	1	Screw	69914	**	Cam lobe
31162	5	Washer	50113	1	Screw	69921	2	Bearing
31163	14	Washer	50555	**	Set screw	69973	1	#5 Woodruff key
31170	1	Washer	50557	1	Set screw	92976	1	Bearing assembly
31176	2	Washer	50558	1	Set screw	880066	1	Cover assembly
34645	3	Gasket						

** One per Pump Station

RETAIN THIS INFORMATION FOR FUTURE REFERENCE

When ordering replacement parts, list: Part Number, Description, Model Number, and Series Letter.
LINCOLN ST. LOUIS provides a Distributor Network that stocks equipment and replacement parts.