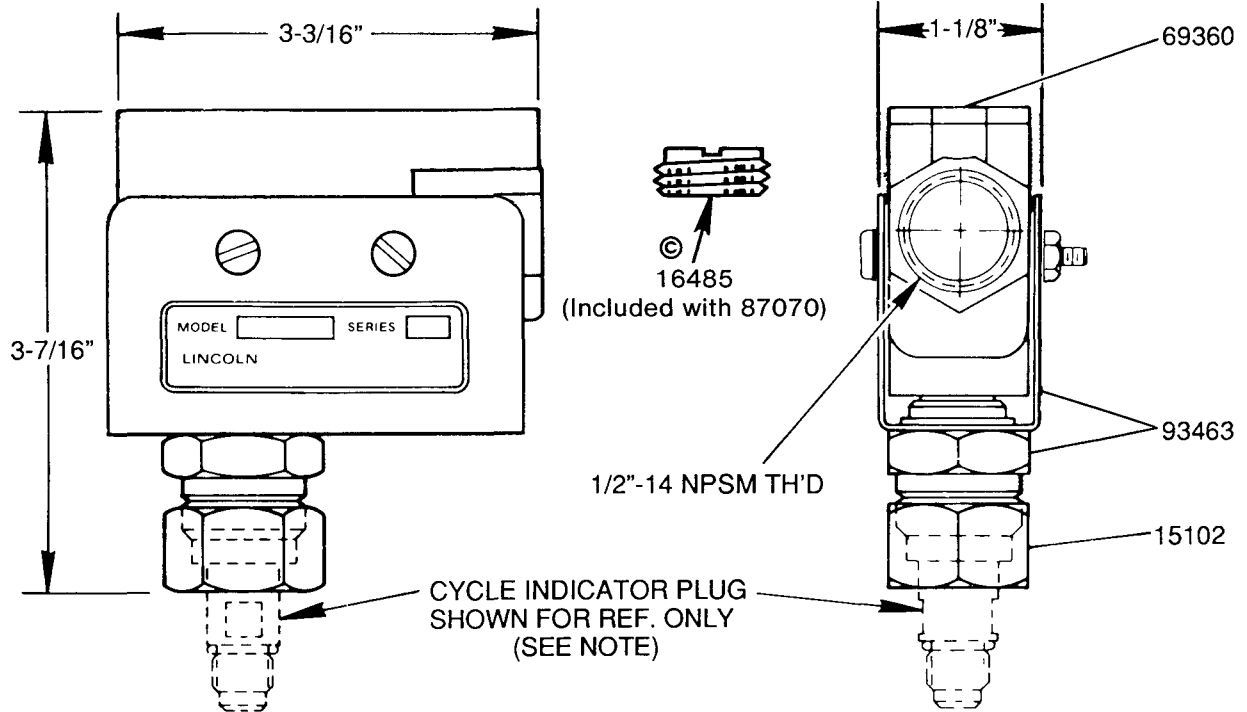


MODEL 87070
Series "D"



NOTE: Cycle indicator plug must be removed from divider valve and replaced with © 16485 Plug in order to couple to switch with 15102 Coupling Nut.

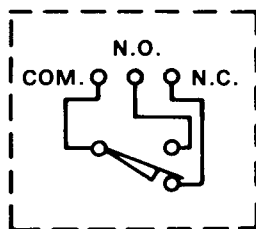
ELECTRICAL RATING

15 Amps at 125, 250 & 480V AC
0.5 Amp at 125V DC
1/3 HP at 125V AC
1/2 HP at 250V AC
SPDT

SERVICE PARTS

Part	Qty.	Description
15102	1	Coupling nut
16485	1	Plug
69360	1	Limit switch
93463	1	Bracket & adapter

CIRCUITRY



© Indicates Change