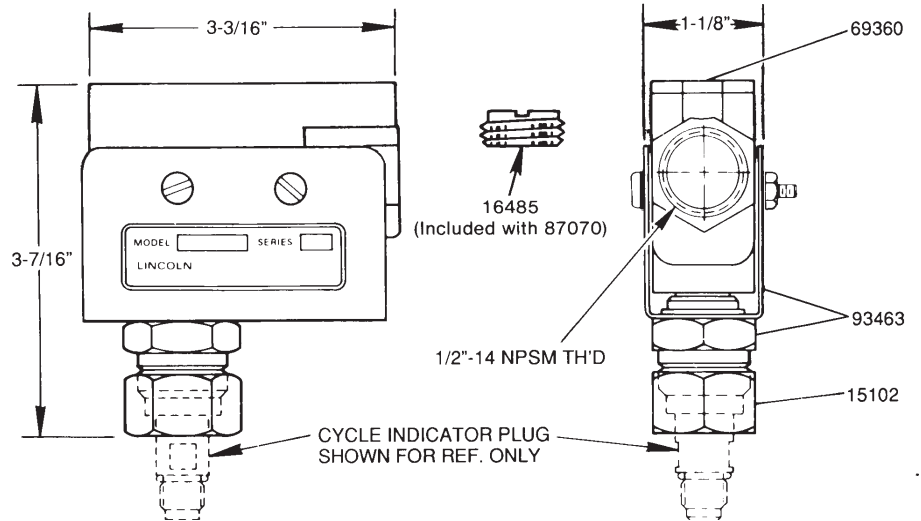
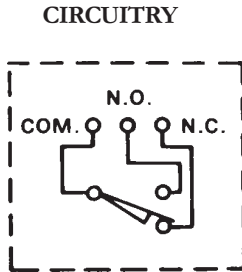


ELECTRICAL RATING

15 Amps at 125, 250 & 480V AC
0.5 Amps at 125V DC
1/3 HP at 125V AC
1/2 HP at 250V AC
SPDT

MODEL 87070
Series "D"

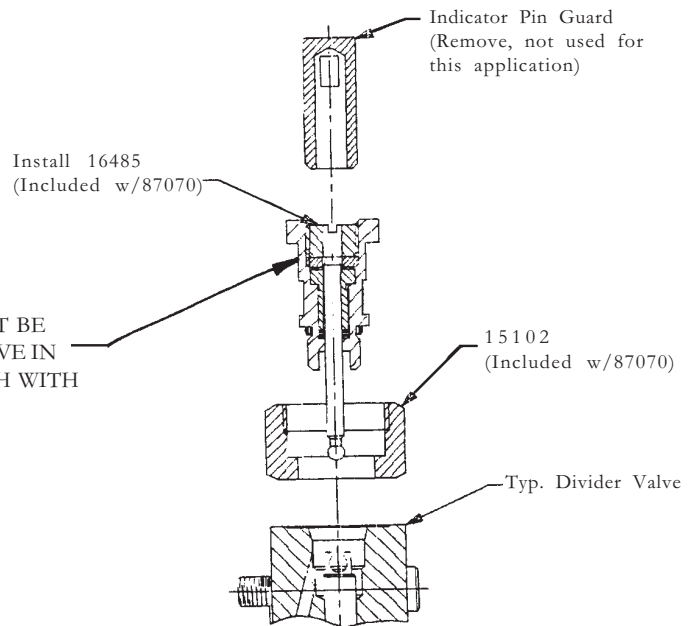
(Shown after assembly to cycle indicator plug)



SERVICE PARTS

Part	Qty.	Description
15102	1	Coupling nut
16485	1	Plug
69360	1	Limit switch
93463	1	Bracket & adapter

To Assemble Limit Switch To ©
Divider Valve w/Cycle Indicator



NOTE: CYCLE INDICATOR PLUG MUST BE REMOVED FROM DIVIDER VALVE IN ORDER TO COUPLE TO SWITCH WITH 15102 COUPLING NUT.

© Indicates change