

### LP RESERVOIRS

OIL  
3 PT. (87404 & 87408)  
5 PT. (87405)

GREASE  
3 LB. (87402)  
5 LB. (87403)

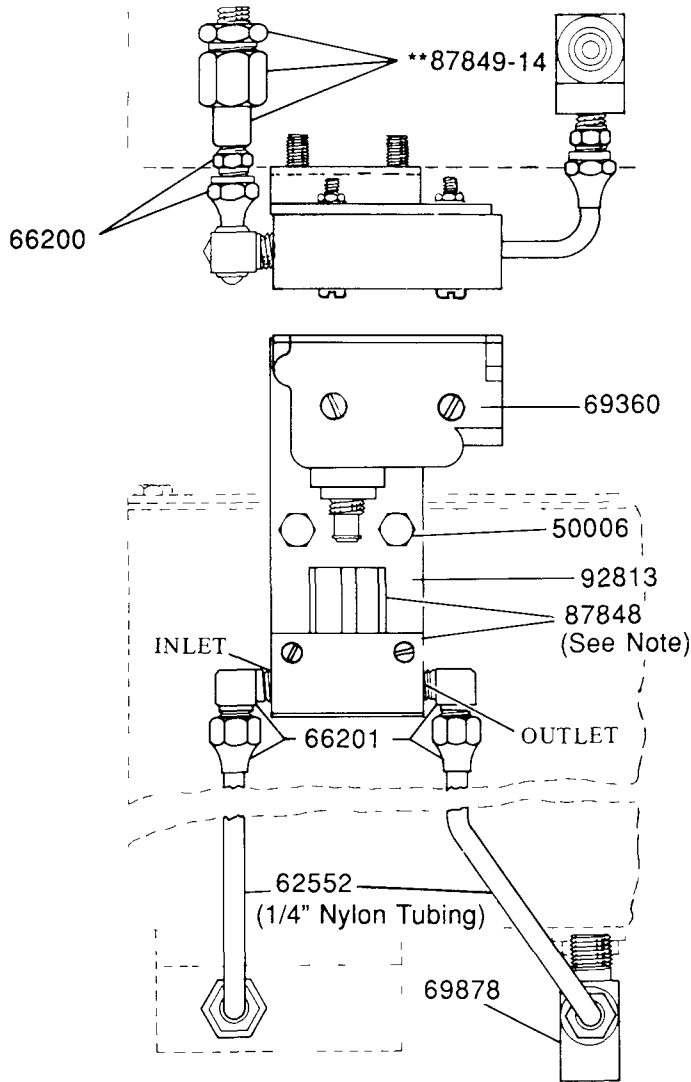
OIL  
(PLASTIC TUBE)  
5 PT. (87400)  
10 PT. (87413)  
15 PT. (87414)

GREASE  
(PLASTIC TUBE)  
5 LB. (87407)  
10 LB. (87406)  
15 LB. (87415)

GREASE  
(METAL TUBE)  
5 LB. (87420)  
10 LB. (87421)  
15 LB. (87423)

© Indicates Change

### AP RESERVOIRS



## AP OIL TANK RESERVOIRS

12 PT. (87419)  
 3 GAL. (87418)  
 5 GAL. (87417)

Note 87848 Indicator must be reversed when used in these applications

\* Use 360683 Mounting Bracket with AP 5 pt and 5 lb reservoirs Use 360684 Mounting Bracket with AP 10 & 15 pt and 10 & 15 lb reservoirs

\*\* 87849-14 Rupture to Atmosphere Assembly (1450 PSI relief pressure) includes 5 extra blowout discs

## SERVICE PARTS

Part	Description	Quantity		
		Tank Reservoir	LP Reservoir	AP Reservoir
50006	Cap Screw	2	2	2
62552	1/4" Nylon Tubing	2 Ft.	2 Ft.	2 Ft.
66200	Male Tube Connector	2	--	1
66201	Male Tube Connector	2	3	2
66210	Male Elbow Tube Connector	--	1	1
67368	Street Elbow	--	1	--
69878	Pipe Tee	1	1	1
87848	Cycle Complete Indicator	1	1	1
87849-14	Rupture to Atmosphere Assy.	1	1	1
92813	Mounting Bracket Assembly	1	1	1
69360	Limit Switch	1	1	1

### RETAIN THIS INFORMATION FOR FUTURE REFERENCE

When ordering replacement parts, list: Part Number, Description, Model Number, and Series Letter.

LINCOLN provides a Distributor Network that stocks equipment and replacement parts.