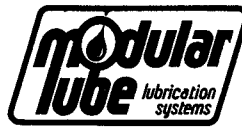


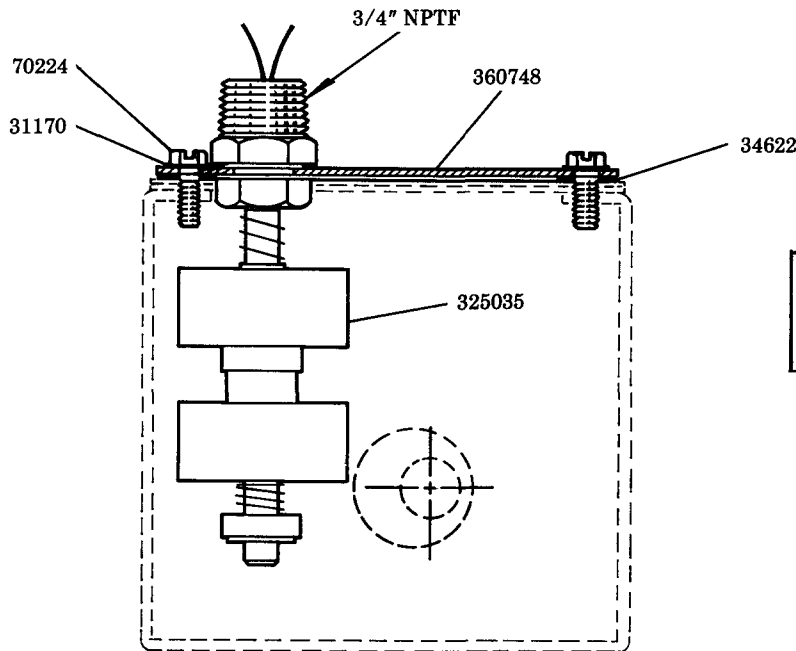
# LEVEL SWITCH

SWITCH RATING: 10 WATTS  
 200 VDC, 1/2 AMP. MAX.  
 NORMALLY CLOSED - DRY

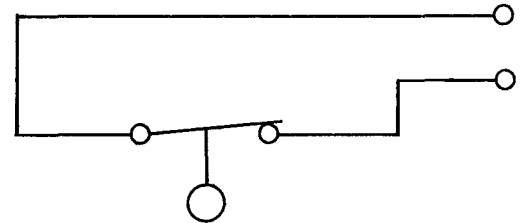


880258  
 880321  
 880503

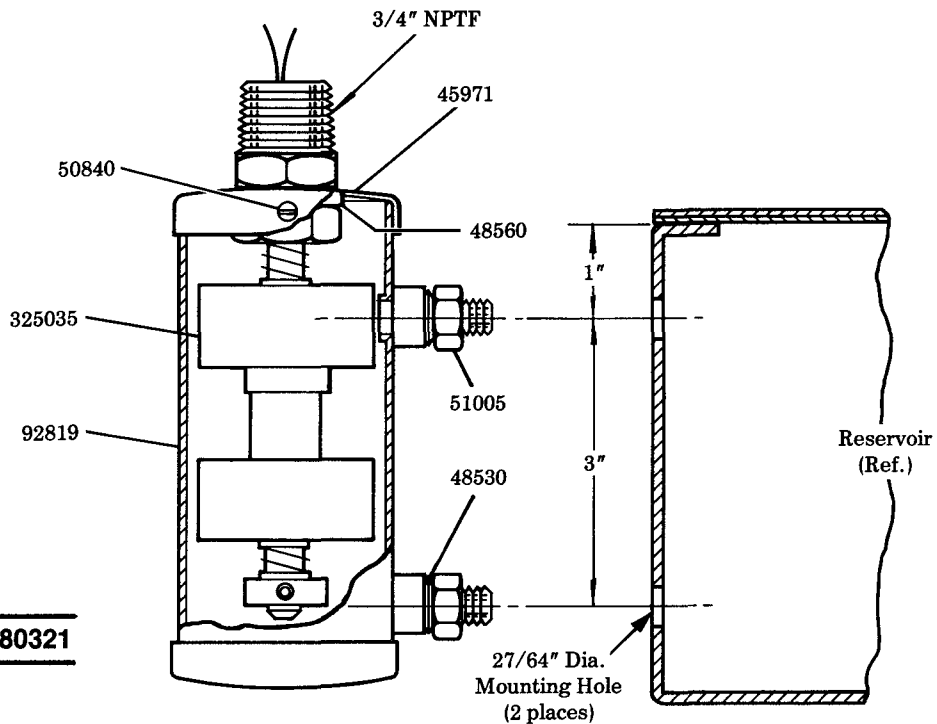
Series "A"



**MODEL 880258**



**WIRING SCHEMATIC  
 (Dry Condition)**



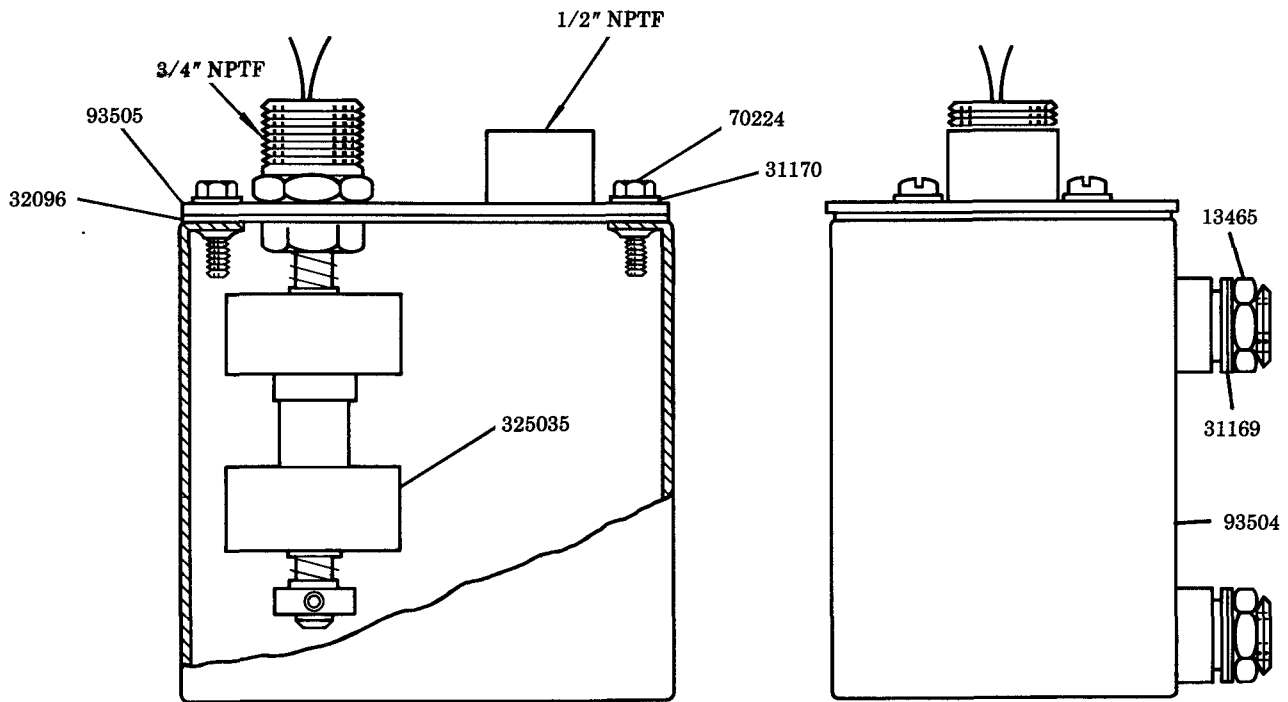
**MODEL 880321**

**LINCOLN ST. LOUIS**  
 4010 GOODFELLOW BLVD • ST LOUIS, MO 63120 • (314) 679-4200

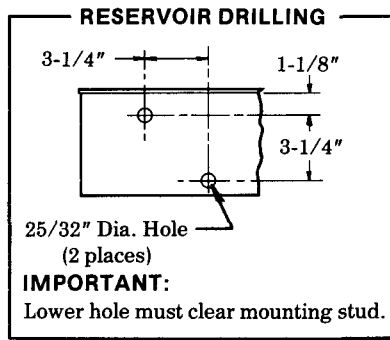


A DIVISION OF  
**McNEIL**  
 CORPORATION

SECTION - **M30**  
 PAGE - **26**



**MODEL 880503**



**SERVICE PARTS**

PART	QUAN.	DESCRIPTION
13465	2	Nut
31169	4	Washer
31170	4	Washer
32096	2	Cover gasket end
34622	1	Gasket
45971	1	Top cover
48530	4	Washer
48560	1	Washer
50840	3	Screw
51005	2	Nut
70224	4	Screw
92819	1	Tank
93504	1	Reservoir
93505	1	Cover plate
325035	1	Level switch
360748	1	Pump slot cover

**RETAIN THIS INFORMATION FOR FUTURE REFERENCE**

When ordering replacement parts, list: Part Number, Description, Model Number, and Series Letter.

LINCOLN ST. LOUIS provides a Distributor Network that stocks equipment and replacement parts.