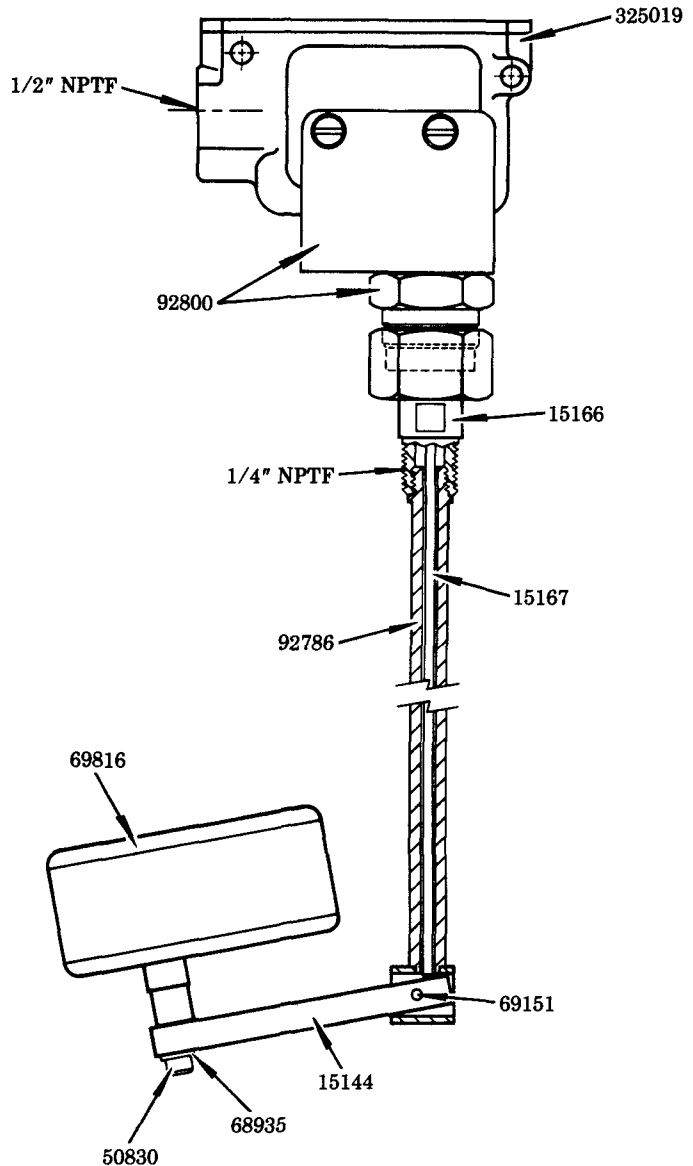
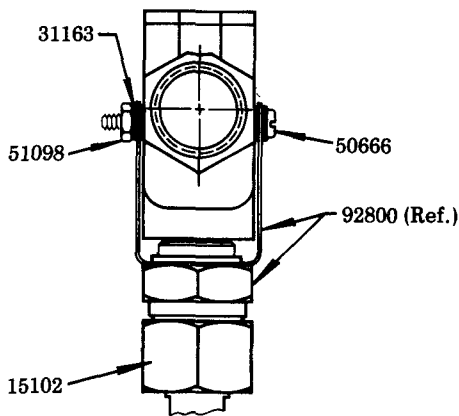


RESERVOIR LOW LEVEL ASSEMBLY



Model 87859



Used on Models 87417 (5 gal.), 87418 (3 gal.) and 87419 (12 pint) Oil Reservoirs.

ASSEMBLY INSTRUCTIONS

- 1) Remove actuator guide and float assembly from reservoir adapter.
- 2) Install reservoir adapter and limit switch into bushing in reservoir cover plate.
- 3) Screw actuator guide and float assembly into reservoir adapter.

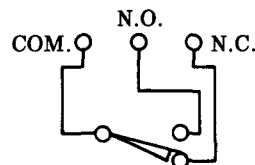
SERVICE PARTS

PART	QUAN.	DESCRIPTION
15102	1	Coupling nut
15144	1	Lever
15166	1	Reservoir adapter
15167	1	Actuator rod
31163	8	Aluminum gasket
50666	2	Screw
50830	1	Cap screw
51098	2	Locknut
68935	1	Lockwasher
69151	1	Roll pin
69816	1	Float
92786	1	Lever adapter and guide assembly
92800	1	Bracket and adapter assembly
325019	1	Limit switch

ELECTRICAL RATING

125V, 250V, 480V A.C. - 15 Amp. Max.
125V D.C. - 0.5 Amp. Max.

CIRCUITRY



LINCOLN ST. LOUIS
4010 GOODFELLOW BLVD • ST. LOUIS, MO 63120 • (314) 383 5900



SECTION - **M30**
PAGE - **5**