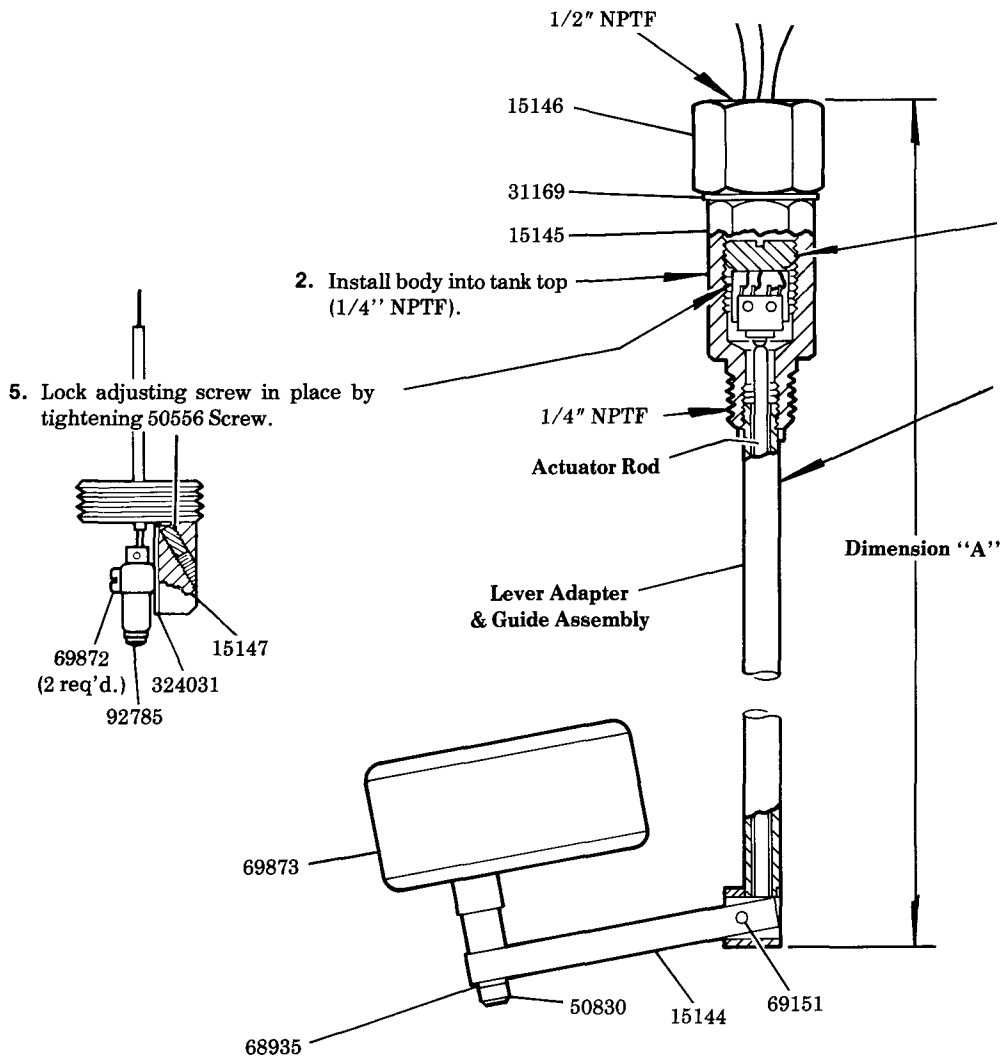


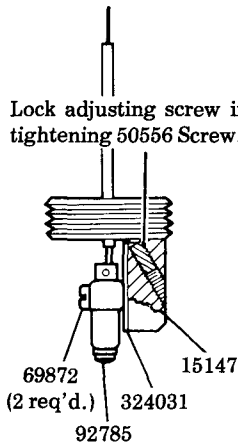
RESERVOIR LOW LEVEL ASSEMBLY



Models 84235 & 84252



5. Lock adjusting screw in place by tightening 50556 Screw.



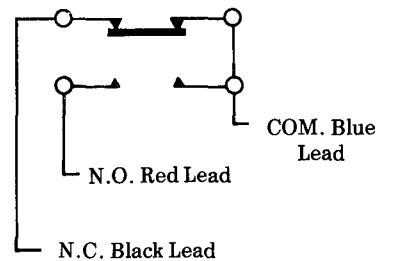
2. Install body into tank top (1/4" NPTF).

4. With float hanging free, rotate adjusting screw clockwise so that the microswitch turns on. Then rotate adjusting screw an additional 1/8 turn.

ASSEMBLY INSTRUCTIONS

1. Remove tube and float assembly from body.
3. Screw tube and float assembly into body and tighten.

CIRCUITRY



MODEL	ACTUATOR ROD	LEVER ADAPTER & GUIDE ASSEMBLY	DIMENSION "A"	USED WITH
84235	15148	92786	11-1/8"	87417, 87418, 87419 (Tank Type Reservoir)
84252	15158	92793	25-1/4"	87414 (Cylinder Type Reservoir)

ELECTRICAL RATING

125/250 VAC
 7 AMPS - Power Factor = 75-80%
 28 VDC L/R = .026
 Res. - 5 AMPS
 Ind. - 3 AMPS

SERVICE PARTS

PART	DESCRIPTION	PART	DESCRIPTION
15144	Lever	68935	Lockwasher
15145	Switch housing	69151	Roll pin
15146	Adapter	69872	Screw
15147	Adjusting screw	69873	Low level float
31169	Aluminum washer	92785	Switch and wire assembly
50556	Screw	324031	Insulating paper
50830	Socket head screw		

LINCOLN ST. LOUIS
 4010 GOODFELLOW BLVD • ST LOUIS, MO 63120 • (314) 383 5900



SECTION - **M30**
 PAGE - **6A**