

LUBE SENTRY OPERATION

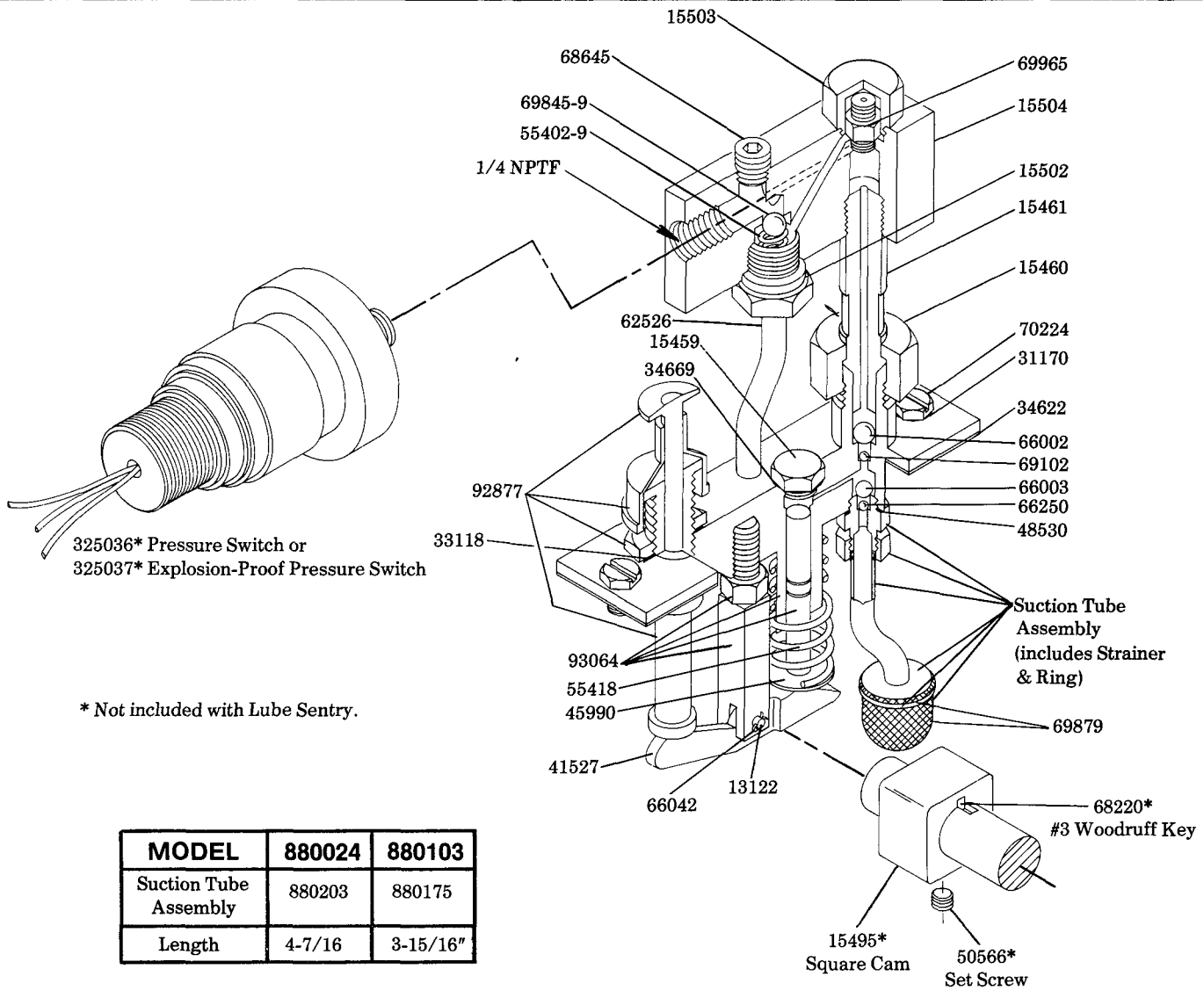
The cam rotates and through the action of the rocker arm, causes the plunger to reciprocate within its bore in the pump body.

As the piston moves downward, the upper ball checks seat and oil is drawn through the lower ball checks into the piston reservoir. On the piston's upward stroke, the lower ball checks seat and oil is forced above the upper ball checks and enters the lube sentry block.

Oil circulates through the lube sentry block at 100 psi unseating the ball checks allowing the oil to return to the reservoir through the nylon return tube. During normal operation this pressure is maintained keeping the pressure switch contacts open.

In the event of low oil level or mechanical failure of lubricator, oil pressure will automatically drop due to the bijur fitting which allows oil to return to reservoir. When pressure drops enough to close the contacts on a pressure switch (usually 3 to 5 minutes), it will activate an alarm signal. The switch can also be tied into a relay used to shut down a machine if left unattended for long periods of time.





MODEL	880024	880103
Suction Tube Assembly	880203	880175
Length	4-7/16	3-15/16"

SERVICE PARTS

PART	QUAN.	DESCRIPTION	PART	QUAN.	DESCRIPTION
13122	1	Head pin	55418	1	Plunger spring
15459	1	Hex head pin	62526	1	Nylon tubing
15460	1	Union nut	66002	1	Steel ball
15461	1	Union sleeve	66003	1	Steel ball
15502	1	Nipple	66042	1	Cotter pin
15503	1	Cap	66250	1	Steel ball
15504	1	Block	68645	1	Pipe plug
31170	2	Washer	69102	1	Steel ball
33118	1	Fibre washer	69845-9	1	Check ball
34622	1	Gasket	69879	1	Strainer & ring assembly
34669	1	O-ring	69965	1	Bijur fitting
41527	1	Rocker arm	70224	2	Screw
45990	1	Spring retainer	92877	1	Flushing unit assembly
48530	1	Washer	93064	1	Plunger, body & support assembly
55402-9	1	Spring			

RETAIN THIS INFORMATION FOR FUTURE REFERENCE

When ordering replacement parts, list: Part Number, Description, Model Number, and Series Letter.
LINCOLN ST. LOUIS provides a Distributor Network that stocks equipment and replacement parts.