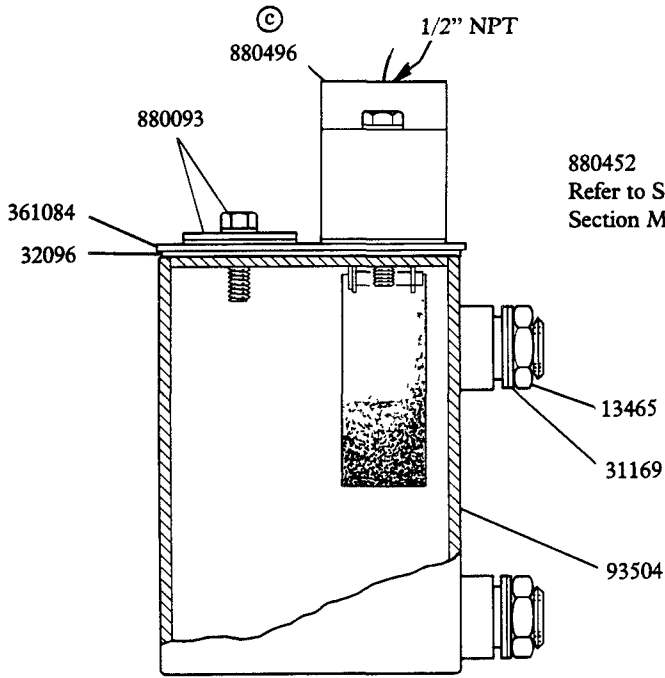


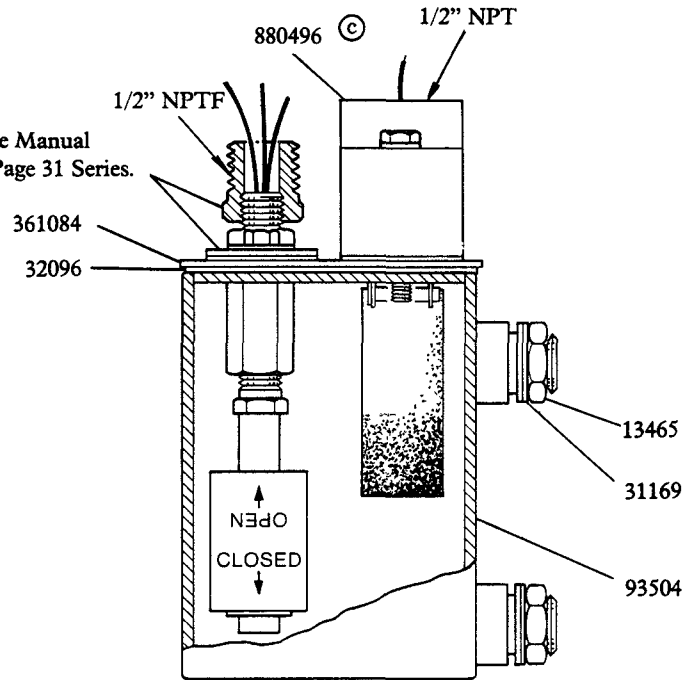
MODULAR LUBE Model Nos. 880499, 880501, 880502 LEVEL SWITCH Series "B"

(EXTERNAL)



**MODEL 880499
(NON-ELECTRICAL)**

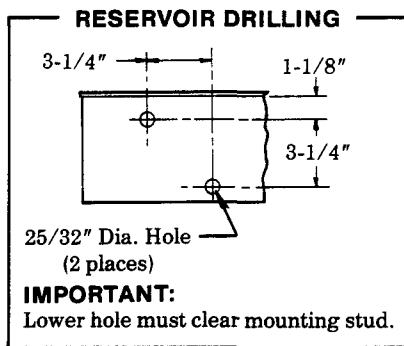
880452
Refer to Service Manual
Section M30, Page 31 Series.



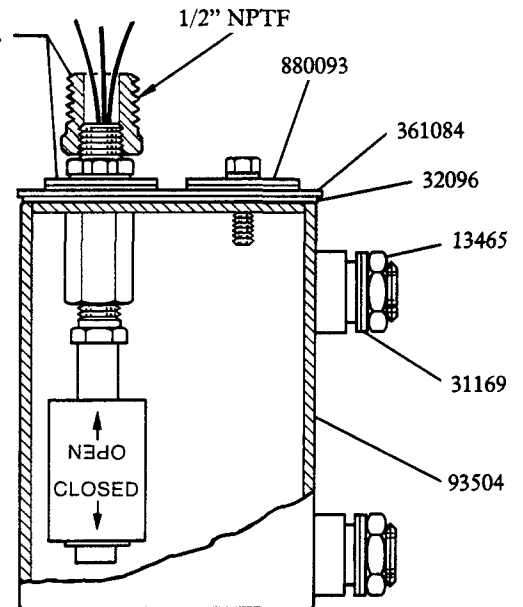
MODEL 880501

Class I, Groups B, C & D
Class II, Groups E, F & G
Class III

© Indicates change



880452
Refer to Service Manual
Section M30, Page 31 Series.



MODEL 880502

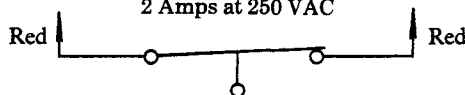
Class I, Groups B, C & D
Class II, Groups E, F & G
Class III

NOTES

- 1) Circuit shown N.C. dry, current may be changed to N.O. dry by inverting float.
- 2) Suitable for use in oil, specific gravity .85.
- 3) Material - brass body with Buna-N float.

ELECTRICAL SPECIFICATIONS

3 Amps at 125 VAC
2 Amps at 250 VAC



**WIRING DIAGRAM
(Dry Condition)**

SERVICE PARTS

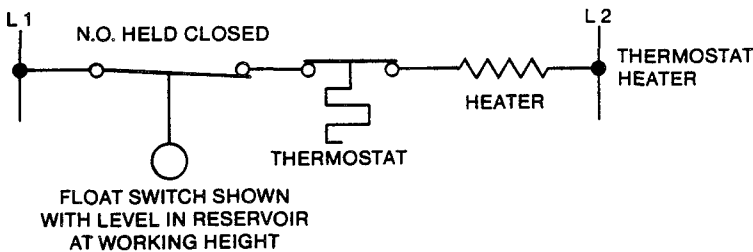
Part	Qty.	Description
13465	2	Nut
31169	4	Washer
32096	2	Cover gasket end
93504	1	Float reservoir
361084	1	Cover plate
880093	1	Slot cover assembly
880452	1	Low level switch assembly
880496	1	Float level control

CONTACT RATINGS

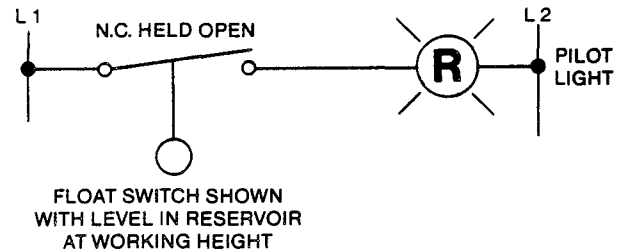
AC				DC		
Volts	Max. Inrush (Inductive Load), Amperes	Normal Break (Inductive or Resistive Load), Amperes	Continuous Amps	Volts	Inductive Make Break, Amperes	Resistive Make Break, Amperes
24	15	3	5	28	1.0	3.0
120	15	3	5	125	0.2	0.75
240	10	2	5	250	0.03	0.5

TYPICAL WIRING CONNECTIONS

THERMOSTAT & HEATER



SIGNAL ALARM



RETAIN THIS INFORMATION FOR FUTURE REFERENCE

When ordering replacement parts, list: Part Number, Description, Model Number, and Series Letter.

LINCOLN provides a Distributor Network that stocks equipment and replacement parts.