

FLOW SWITCH

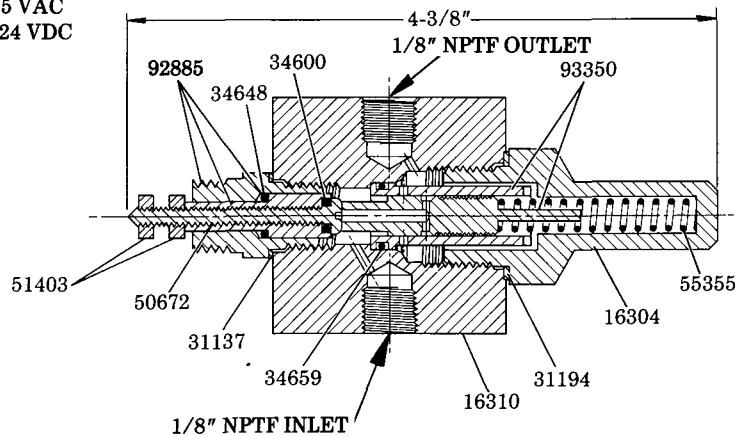


Models 880463 880466

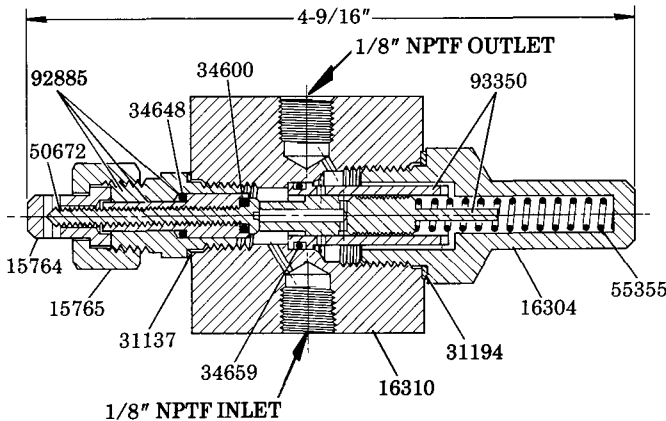
SPECIFICATIONS

LUBRICANT PRESSURE: 6000 psi max.
 MINIMUM FLOW RATE: .25 pints per day
 SWITCH RATING: 2 Amps at 25 VAC
 .25 Amp. at 24 VDC

Model 880463



CAUTION
 Flow switch should be used
 with non-conductive fluids only.



Model 880466 (For Series Wiring)

APPLICATION

Models 880463 & 880466 Flow Switches are used on Model 55 Pumps to monitor lubricant flow. Under a no-flow condition, the switch closes grounding the magneto to shut down the engine. Flow switches are mounted to Model 55 Pumps using a 15742 Nipple (not included with Flow Switch) or a 3" long 1/8" NPTF pipe nipple.

880463 Flow Switch is for use on one pump to determine a low level condition or lubricator failure. 880466 Flow Switches can be wired in series and are used on each pump to determine pump failure, a low level condition or lubricator failure. Both switches may be used with petroleum or synthetic based oils.

OPERATION

Lubricant entering the flow switch pushes against the plunger, opening the outlet port and allowing lubricant to exit the switch. When lubricant flow ceases, the spring moves the plunger forward, closing the outlet port, and forcing trapped oil to pass through a capillary to the back side of the plunger. When plunger touches contact screw, switch is closed completing grounding circuit. Delay period from cessation of lubricant flow to completion of grounding circuit varies from 30 seconds to 2 minutes depending on viscosity of lubricant.

CAUTION: Lubricator must be properly grounded.

SERVICE PARTS

PART	QUAN.	DESCRIPTION
15764	1	Adapter, wire
15765	1	Union nut
16304	1	Retaining plug
16310	1	Body
31137	1	Gasket
31194	1	Gasket
34600	1	O-ring
34648	1	O-ring
34659	1	O-ring
50672	1	Contact screw
51403	2	Nut
55355	1	Spring
92885	1	Contact plug assembly
93350	1	Plunger & guide assembly

LINCOLN ST. LOUIS

4010 GOODFELLOW BLVD • ST LOUIS, MO 63120 • (314) 679-4200



A DIVISION OF
McNEIL
 CORPORATION

SECTION - **M31**

PAGE - **9A**