

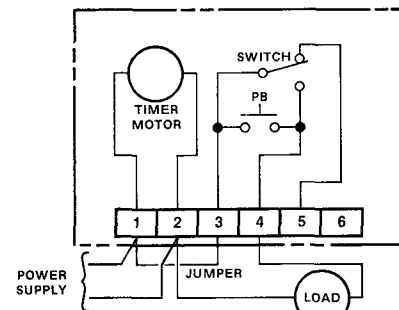
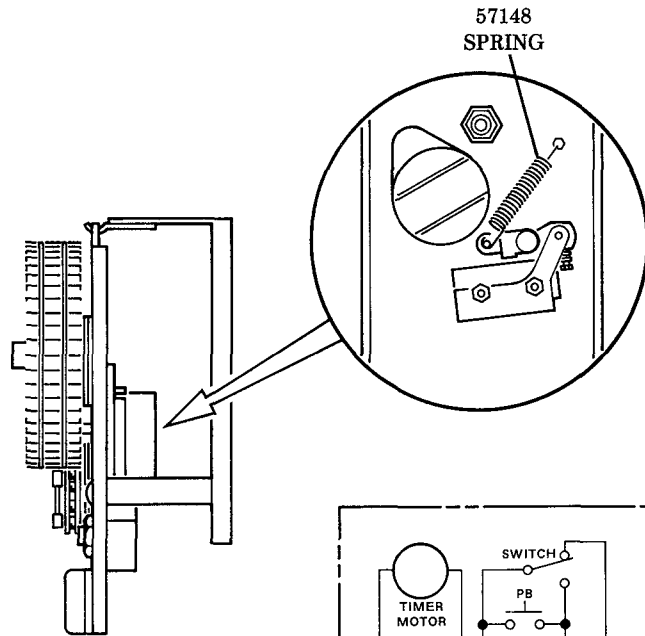
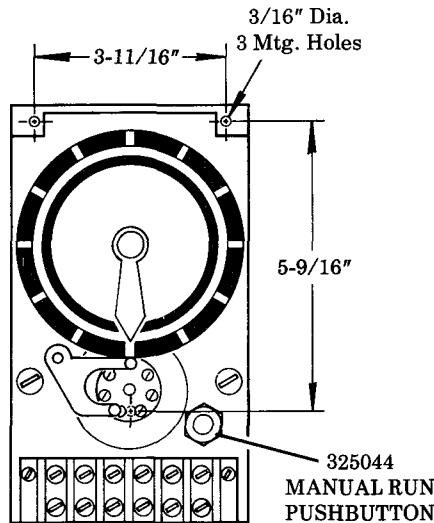
PROGRAM TIMER



Models 130059 130216

120 VOLTS, 60 Hz.

MODEL	PROGRAM TIMER
130059	1 HOUR
130216	24 HOUR



WIRING DIAGRAM

OPERATION

Program timer is energized when machine is turned on. Timer motor runs constantly. Solenoid valve is actuated by trip arm in program timer and pump strokes once delivering lubricant to divider valve system. A manual run pushbutton on the program timer can be used to test or manually operate the system.

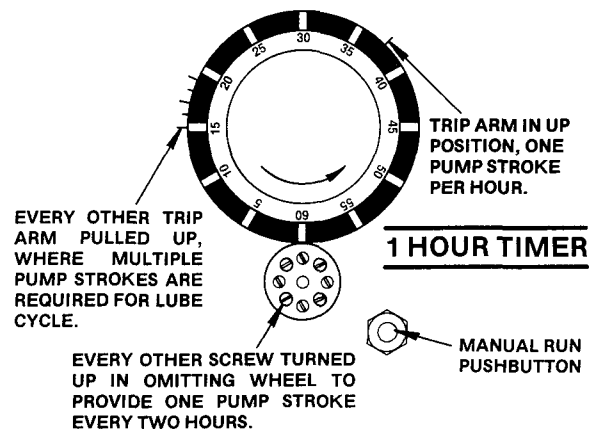
TO SET LUBRICATION FREQUENCY

Model 130059 and 130216 Program Timers are used with single acting pumps. On a one hour timer, one trip arm represents one pump stroke or 37-1/2 seconds of "on" time per hour. If more time is required to complete a pump stroke, consecutive trip arms would be pulled up until adequate time setting is reached. For more than one pump stroke per hour, trip arms would be pulled up at equally spaced intervals. If more than one pump stroke is required to complete a lube cycle, every other trip arm can be pulled up until the required number of trip arms are in the "up" position. The program timer dial contains 96 trip arms, providing a maximum of 48 pump strokes per hour.

To extend time between pump strokes to more than one hour, an omitting wheel is provided. Each consecutive screw turned up in the omitting wheel (7 max.) will increase time between pump strokes by one hour. A screw turned up in every other position will initiate a pump stroke every other hour. A 24 hour timer should be used for intervals longer than one every eight hours.

Each trip arm pulled up on a 24 hour timer represents one pump stroke or 15 minutes of "on" time per 24 hour period. For more than one pump stroke every 24 hours, trip arms would be pulled up at

equally spaced intervals. The program timer dial consists of 96 trip arms, providing a maximum of 48 pump strokes every 24 hours or two per hour. To extend time between pump strokes to more than 24 hours, an omitting wheel is provided. Each screw turned up in the omitting wheel (6 max.) will omit one day of operation.



LINCOLN ST. LOUIS
4010 GOODFELLOW BLVD • ST LOUIS, MO 63120 • (314) 383-5900



SECTION - **M33**
PAGE - **24**