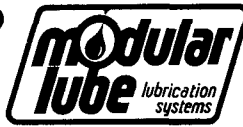
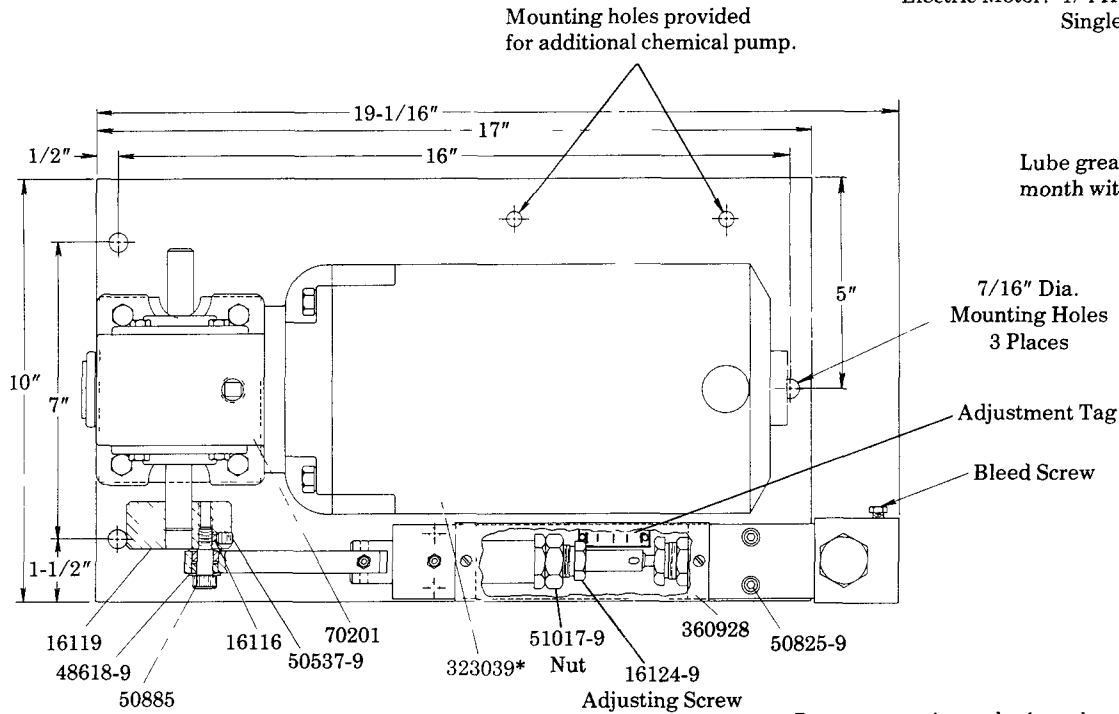


M1 CHEMICAL PUMP



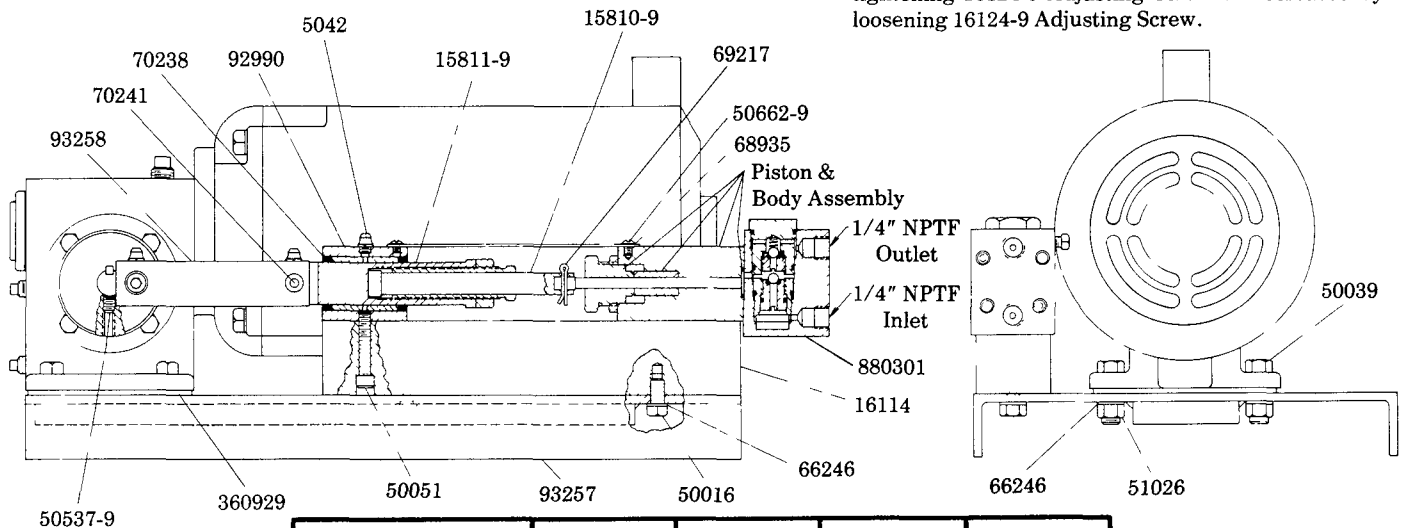
Models 880413, 880414 880415, 880416

* Electric Motor: 1/4 H.P., 115/230 Volts,
Single Phase, 60 Hz.



Lube grease fittings once a month with a quality grease.

Pump output is read when the adapter rod is at the farthest point away from the pump assembly. Output can be increased by backing off 51017-9 Nut and tightening 16124-9 Adjusting Screw or decreased by loosening 16124-9 Adjusting Screw.



Chemical Pump Assembly	880413 3/16" Piston	880414 1/4" Piston	880415 3/8" Piston	880416 1/2" Piston
Piston & Body Assembly	880189	880302	880407	880408
Max. Pressure	3500 psi	2500 psi	1500 psi	600 psi
Min. Output Pts./Day	4.9	8.7	19.8	35.2
Max. Output Pts./Day	49	87	198	352

LINCOLN ST. LOUIS
4010 GOODFELLOW BLVD · ST. LOUIS, MO 63120 · (314) 383-5900

A DIVISION OF
McNEIL CORPORATION

SECTION -M40
PAGE -1

SERVICE PARTS

PART	QUAN.	DESCRIPTION
5042	1	Grease fitting
15810-9	1	Adapter rod
15811-9	1	Cross head rod
16114	1	Spacer block
16116	1	Brass slug
16119	1	Eccentric
16124-9	1	Adjustment screw
48618-9	2	Washer
50016	2	Screw
50039	4	Screw
50051	2	Screw
50537-9	2	Screw
50662-9	2	Screw
50825-9	2	Screw
50885	1	Shoulder bolt
51017-9	1	Nut
51026	4	Nut
66246	6	Lockwasher
68935	2	Lockwasher
69217	1	Cotter pin
70201	1	Reducer
70238	2	Oil seal
70241	1	Dowel pin
92990	1	Housing & bearing assembly
93257	1	Mounting bracket assembly
93258	1	Drive lever assembly
323039	1	Electric motor
360928	1	Cover
360929	1	Mounting pad
880301	1	Check valve & pump head assembly

RETAIN THIS INFORMATION FOR FUTURE REFERENCE

When ordering replacement parts, list: Part Number, Description, Model Number, and Series Letter.
LINCOLN ST. LOUIS provides a Distributor Network that stocks equipment and replacement parts.