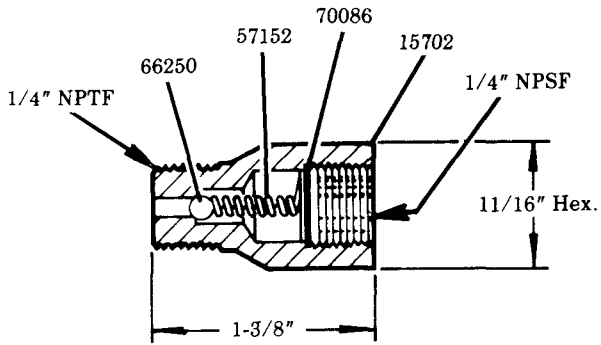


#8717

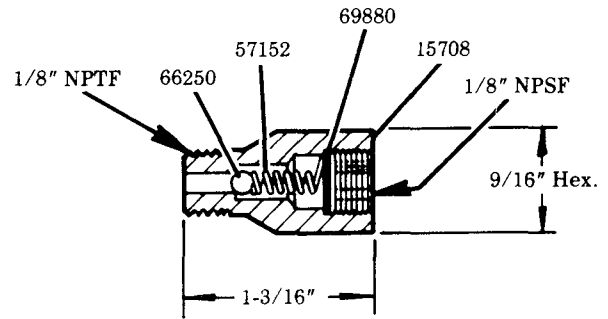
CHECK VALVES

OPENING PRESSURE - 20-70 PSI ©
WORKING PRESSURE - 7500 PSI MAX.



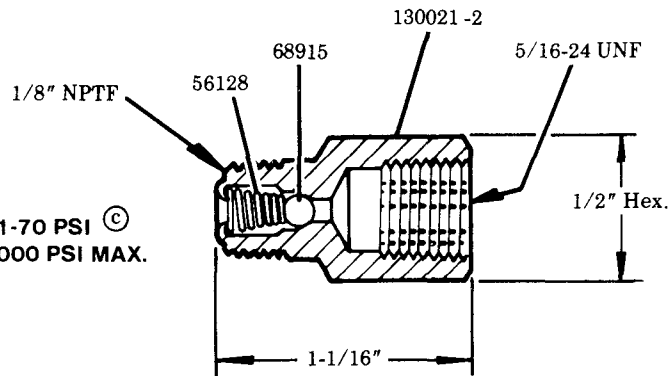
MODEL 87817

OPENING PRESSURE - 20-70 PSI ©
WORKING PRESSURE - 7500 PSI MAX.



MODEL 87818

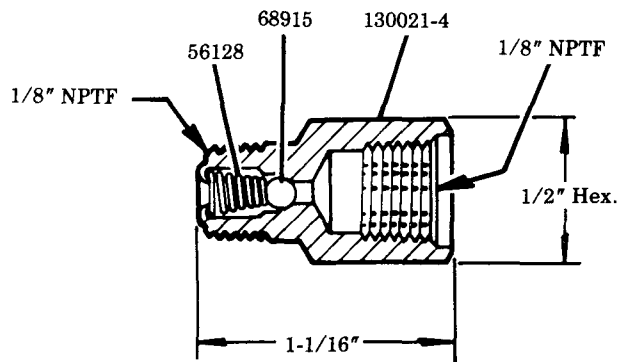
OPENING PRESSURE - 31-70 PSI ©
WORKING PRESSURE - 6000 PSI MAX.



MODEL 130021-1

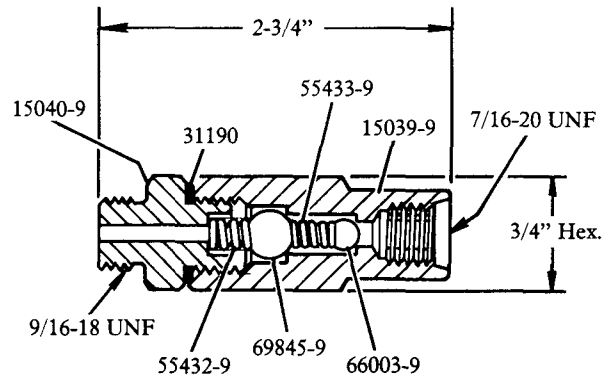
© Indicates change

OPENING PRESSURE - 31-70 PSI ©
WORKING PRESSURE - 6000 PSI MAX.



MODEL 130021-3

OPENING PRESSURE - 80 PSI
WORKING PRESSURE - 5000 PSI MAX.



MODEL 880015-9
(STAINLESS STEEL)

LINCOLN

® A PENTAIR COMPANY

One Lincoln Way
St. Louis, Missouri 63120-1578
(314) 679-4200

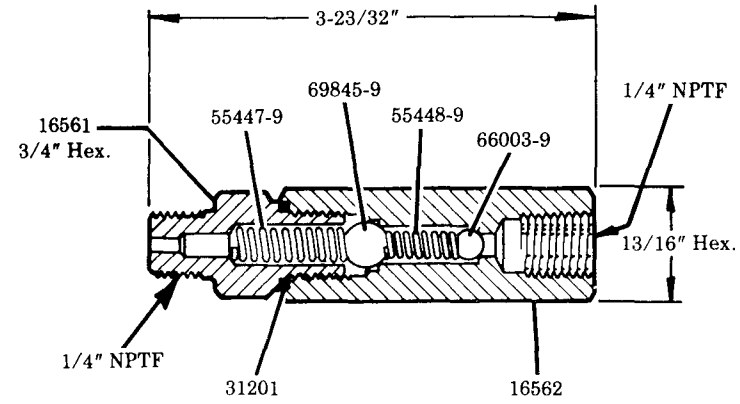
Copyright 1990
Printed in U.S.A.

Section - M50

Page - 1D

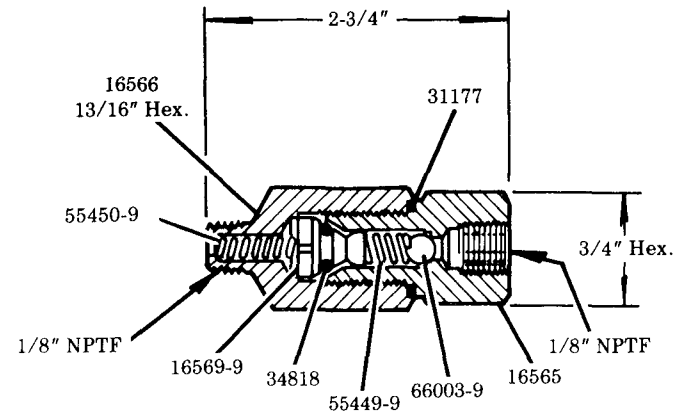
Form 409175

OPENING PRESSURE- 145 PSI
WORKING PRESSURE- 8000 PSI MAX.



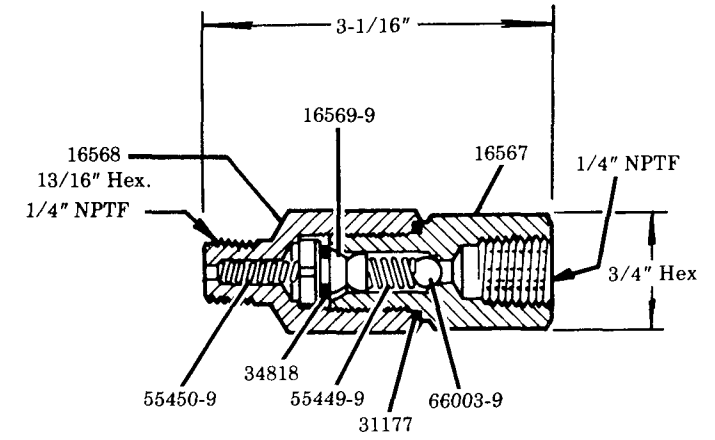
MODEL 880511

OPENING PRESSURE- 50 PSI
WORKING PRESSURE- 2000 PSI MAX.



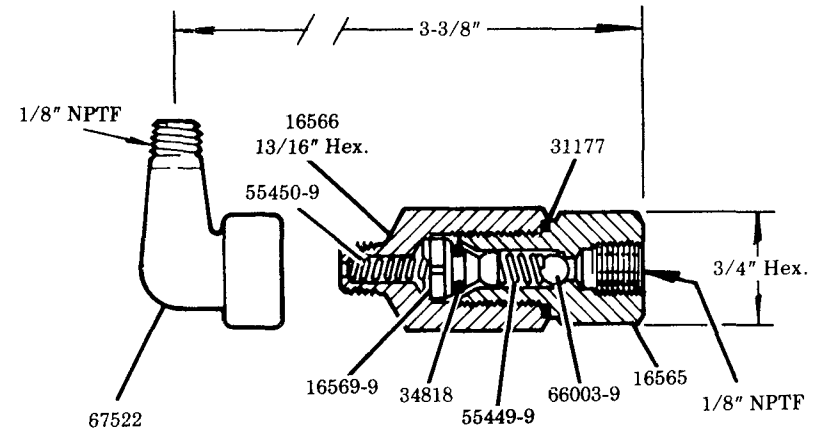
MODEL 880513

OPENING PRESSURE- 50 PSI
WORKING PRESSURE- 2000 PSI MAX.



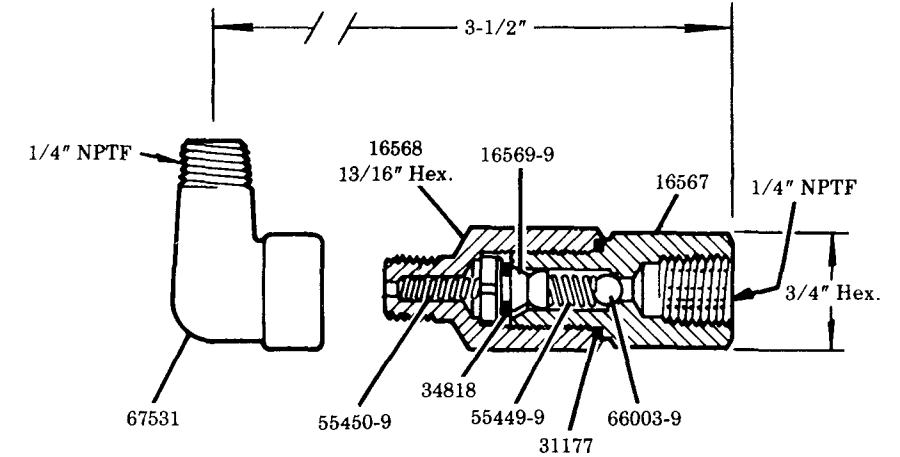
MODEL 880514

OPENING PRESSURE- 50 PSI
WORKING PRESSURE- 2000 PSI MAX.



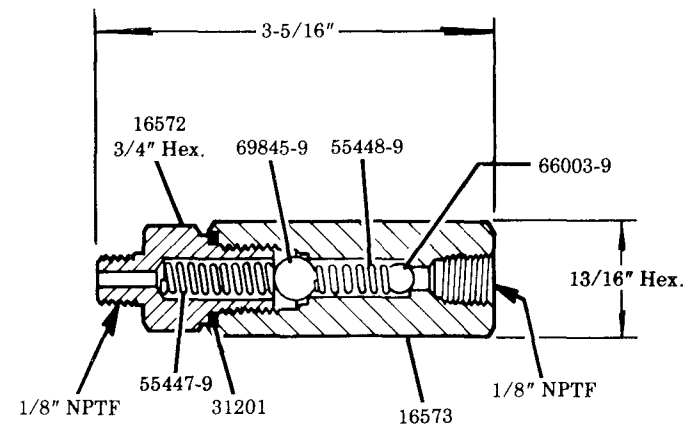
MODEL 880515

OPENING PRESSURE- 50 PSI
WORKING PRESSURE- 2000 PSI MAX.



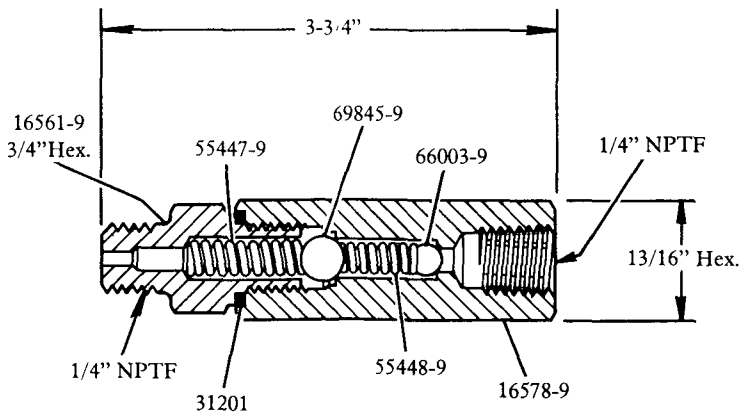
MODEL 880516

OPENING PRESSURE- 145 PSI
WORKING PRESSURE- 8000 PSI MAX.



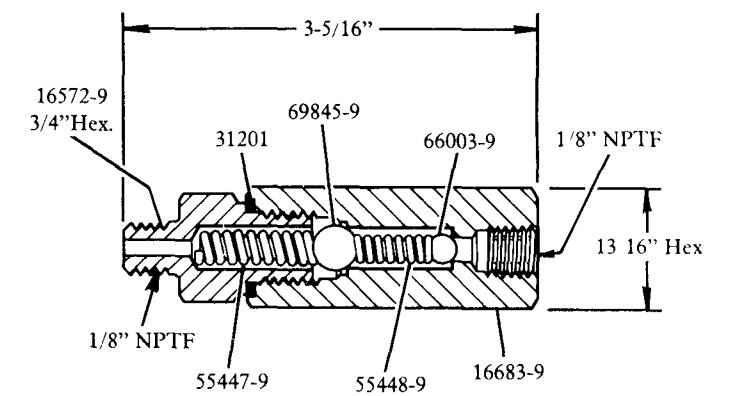
MODEL 880517

OPENING PRESSURE - 145 PSI
WORKING PRESSURE - 8000 PSI MAX.



MODEL 880518-9
(STAINLESS STEEL)

OPENING PRESSURE - 145 PSI
WORKING PRESSURE - 8000 PSI MAX.



MODEL 880519-9
(STAINLESS STEEL)

ADAPTERS

Part	Description
10461	1/8" N.P.T.F. (Female) x 1/4" N.P.T.F. (Male) Reducing Bushing, Steel
67132	1/8" N.P.T.F. (Female) x 3/8" N.P.T.F. (Male) Reducing Bushing, Steel
11229	1/4" N.P.T.F. (Female) x 1/8" N.P.T.F. (Male) Reducing Bushing, Steel

SERVICE PARTS

Part	Description	Part	Description	Part	Description
15039-9	Check valve body	16572-9	Male check body	55450-9	Spring
15040-9	Nipple	16573	Female check body	56128	Spring
15702	Body	16578-9	Female check body	57152	Spring
15708	Body	16683-9	Female check body	66003-9	Ball
16561	Male check body	31177	Gasket	66250	Ball
16561-9	Male check body	31190	Gasket	67522	Elbow
16562	Female check body	31201	Gasket	67531	Elbow
16565	Female check body	34818	O-ring	68915	Steel ball
16566	Male check body	55432-9	Spring	69845-9	Steel ball
16567	Female check body	55433-9	Spring	69880	Retainer
16568	Male check body	55447-9	Spring	70086	Retainer
16569-9	Check	55448-9	Spring	130021-2	Body
16572	Male check body	55449-9	Spring	130021-4	Body