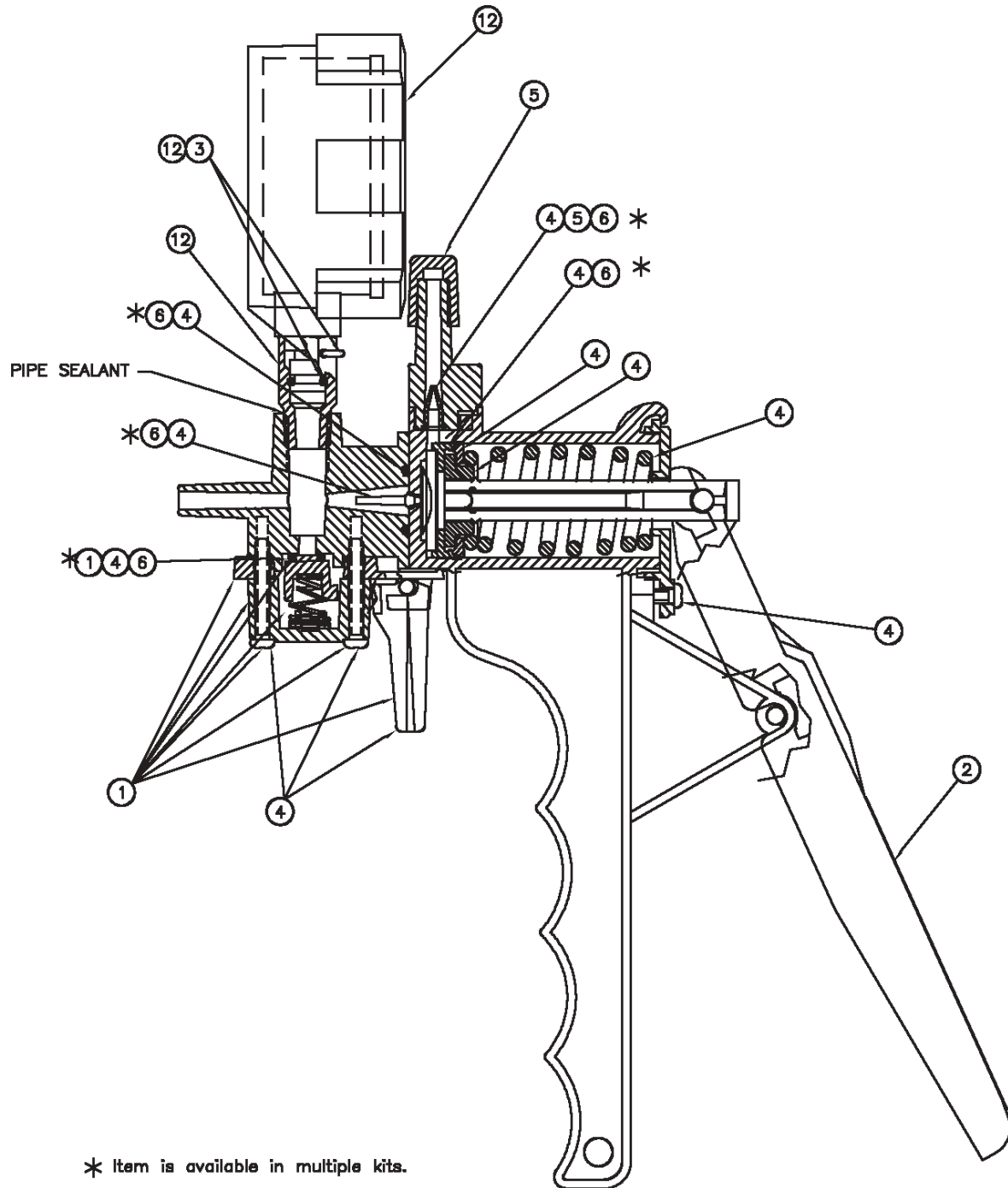
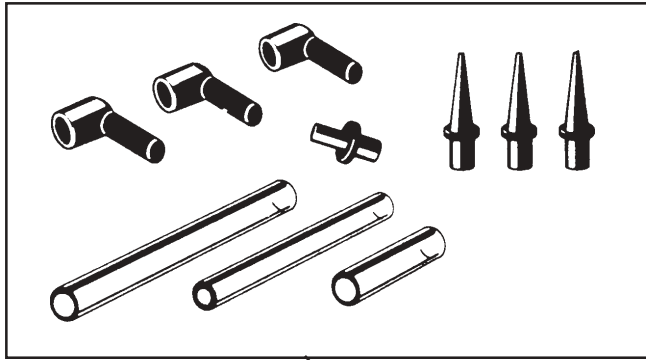


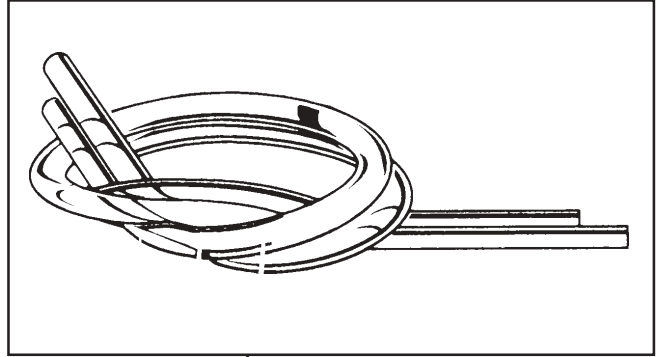
SILVERLINE PUMP  
MODEL 04000



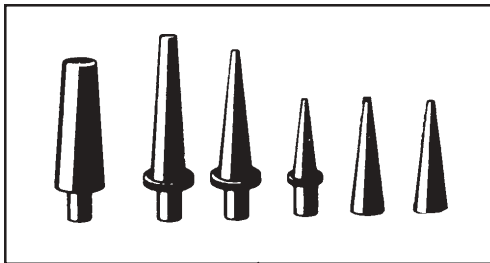
\* Item is available in multiple kits.



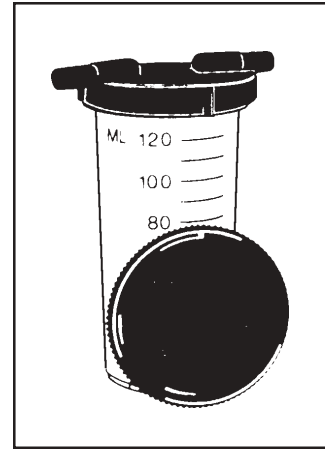
7



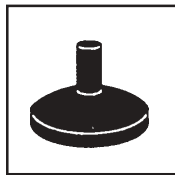
10



8



9



11

### MODEL 04000 SERVICE ITEMS

Item	Description	Part No.	Item	Description	Part No.
1	Vacuum Release Kit	823371	7	Brake Bleeding Adapter Kit	822303
2	Handle	823373	8	Auto Adapter Kit	822304
3	Gauge Kit	823375	9	Reservoir Jar Kit	06909
4	Std. Pump Maintenance Kit	04100	10	Tubing (1/4" ID x 24") Kit	822391
5	Exhaust Kit	823377	11	Rubber Suction Cup (3 Pack)	822392
6	Seal Kit	822389	12	Gauge with Quick Disconnect	06172

**NOTE:** Coat rubber components of pump with silicone oil (not supplied) prior to installing.

**SILVERLINE PUMP  
LIMITED WARRANTY-  
MODEL 04000**



Lincoln warrants the equipment it supplies to be free from defects in material and workmanship for one (1) year following the date of purchase. If equipment proves to be defective during this warranty period it will be repaired or replaced, at Lincoln's discretion, without charge provided that factory authorized examination indicates the equipment to be defective. To obtain repair or replacement, you must ship the equipment, transportation charges prepaid, with proof of date of purchase to a Lincoln authorized warranty and service center, within one (1) year following the date of purchase.

**LIMITED 5 YEAR WARRANTY (Series 20, 25, 40 Bare Pumps, Heavy Duty and Golden Standard Bare Reels)-**

Lincoln warrants series 20, 25, 40 bare pumps, and heavy duty and golden standard bare reels it supplies to be free from defects in material and workmanship for one (1) year following the date of purchase. If equipment proves to be defective during the warranty period it will be repaired, or replaced, at Lincoln's discretion, without charge provided that factory authorized examination indicates the equipment to be defective. To obtain repair or replacement, you must ship the equipment, transportation charges prepaid, with proof of purchase to a Lincoln Authorized Warranty and Service Center within one (1) year following the date of purchase. Additionally, in years two (2) and three (3) the warranty on this equipment is limited to repair with Lincoln paying parts and labor only. In years four (4) and five (5), the warranty on this equipment is limited to repair with Lincoln paying for parts only.

This warranty is extended to the original retail purchaser only. It does not apply to equipment damaged from accident, overload, abuse, misuse, negligence, faulty installation or abrasive or corrosive material, or to equipment repaired or altered by anyone not authorized by Lincoln to repair or alter the equipment. This warranty applies only to equipment installed and operated according to the recommendations of Lincoln or its authorized field personnel. No other express warranty applies.

Any implied warranties applicable to equipment supplied by Lincoln, including the warranties of merchantability and fitness for a particular purpose, will last for only one (1) year from the date of purchase. Some jurisdictions do not allow limitations on how long an implied warranty lasts, so the above limitation may not apply to you.

In no event shall Lincoln be liable for incidental or consequential damages. Lincoln's liability on any claim for loss or damages arising out of the sale, resale or use of equipment it supplies shall in no event exceed the purchase price. Some jurisdictions do not allow the exclusion or limitation of incidental or consequential damages, so the above limitation or exclusion may not apply to you.

This warranty gives you specific legal rights. You may also have other rights that vary by jurisdiction.

---

<b>Americas:</b> One Lincoln Way St. Louis, MO 63120-1578 USA Phone +1.314.679.4200 Fax +1.800.424.5359	<b>Europe/Africa:</b> Heinrich-Hertz-Str 2-8 D-69183 Walldorf Germany Phone +49.6227.33.0 Fax +49.6227.33.259	<b>Asia/Pacific:</b> 25 Int'l Business Park #01-65 German Centre Singapore 609916 Phone +65.562.7960 Fax +65.562.9967	<b>LINCOLN</b> © Copyright 2003 Printed in USA Web site: www.mityvac.com
--	--	--	--

---