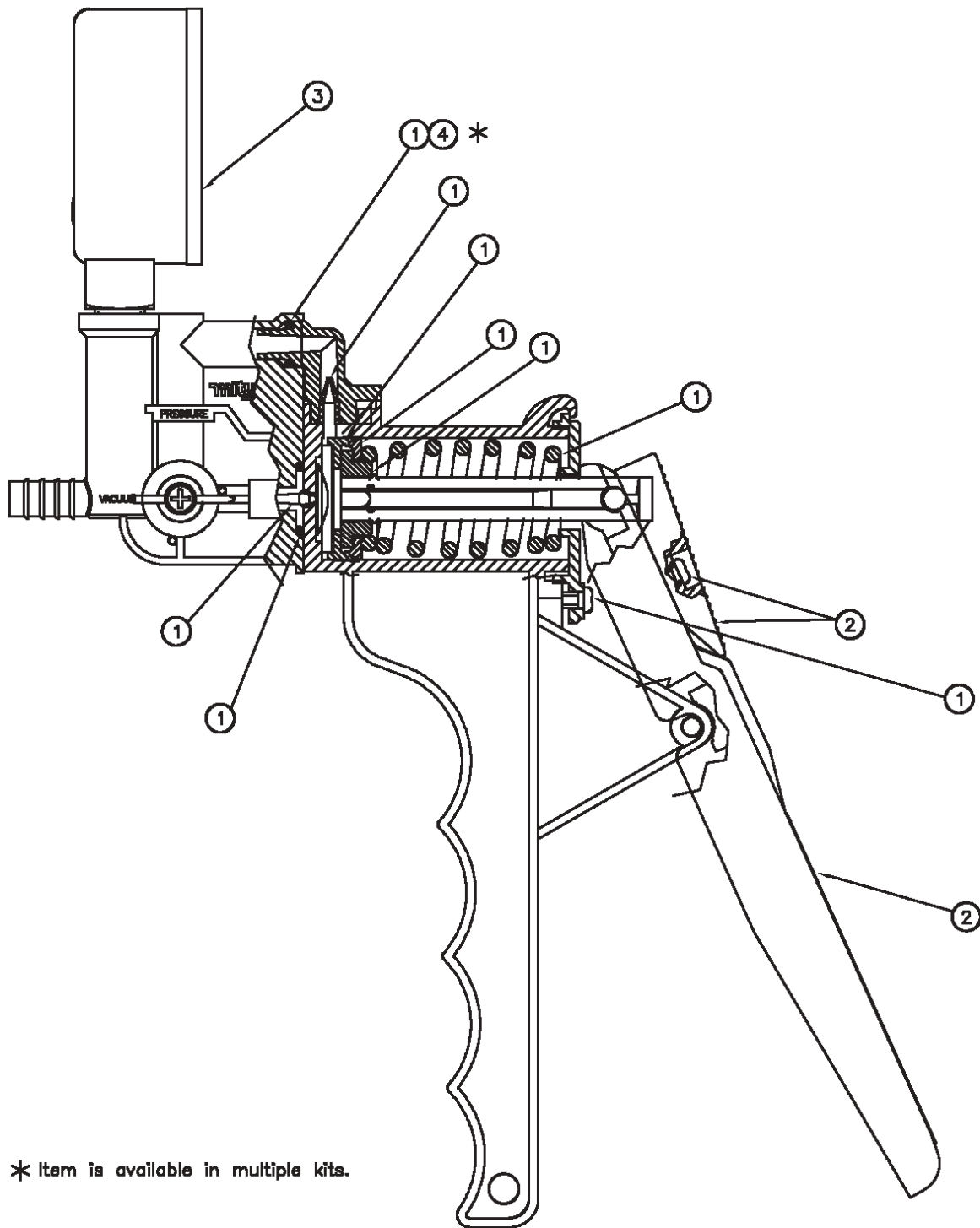
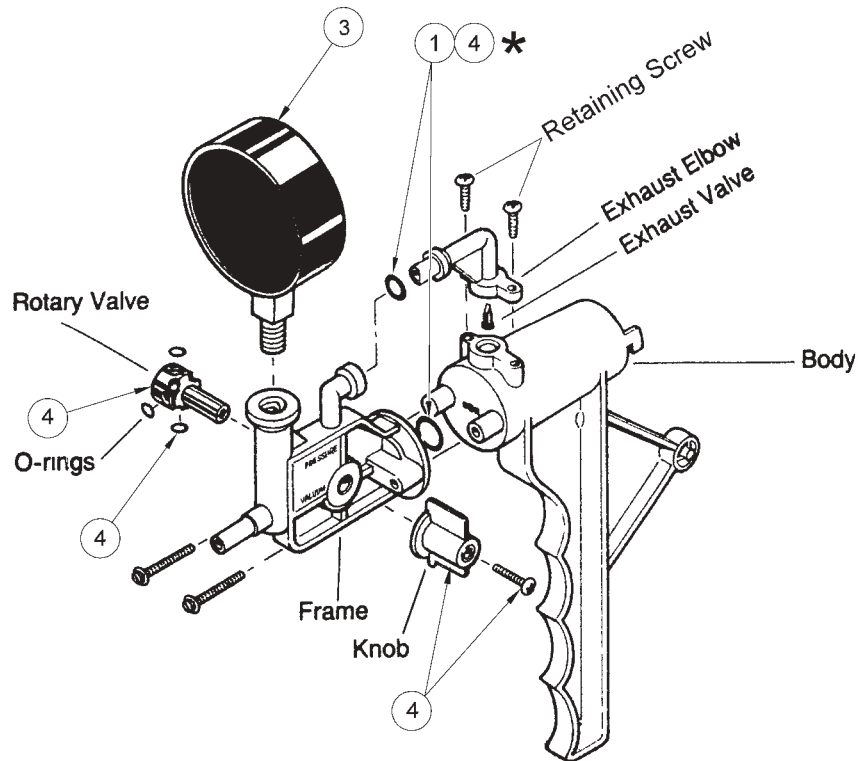


SILVERLINE DUAL CONVERTER
MODEL 04050





DUAL CONVERTER™ INSTALLATION INSTRUCTIONS

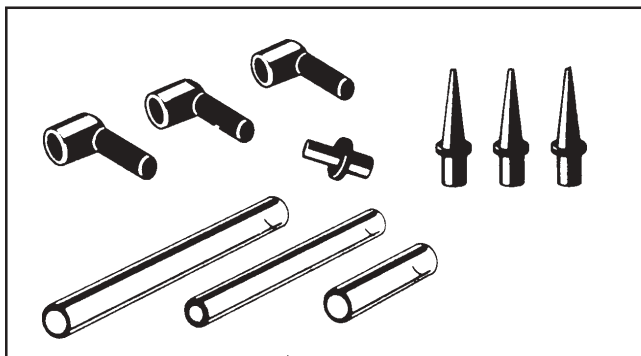
1. Make sure the exterior of your pump is cleaned of loose dirt, grease, oil, etc.
2. Remove the old exhaust fitting
 - a. Retain screws for reuse
3. Remove the old junction
 - a. Retain screws for reuse
4. Install black exhaust valve in elbow. Install the elbow on the pump. *Do not overtighten.*
5. Slip the small O-ring onto elbow. Install the large O-ring into Dual Converter™ frame. Slide the Dual Converter™ into place on the pump body and elbow. Make sure the elbow is fully seated and the frame is snug against the body. Install rear screw (on side away from knob) and tighten until just snug. Use one of the screws retained in step 3.
6. Turn knob to "Vacuum" position. (*Note the large square notch on rear side of the black rotary valve is pointing up, toward elbow.*) Remove the screw from knob, then remove the knob from the shaft.
7. Slowly slide the black rotary valve completely out. Install front screw. Use the remaining screw retained in step 3. Tighten until snug. Snug rear screw again.
8. Make sure that all three O-rings are in their recesses, and carefully push the rotary valve back into place. * The large square notch must point up toward the elbow. Replace the knob onto the rotary valve shaft, with the wide flange pointing toward "Vacuum". If necessary, wiggle it slightly to fully seat the knob, then replace the screw. *Do not overtighten.*

MODEL 04050 SERVICE PARTS

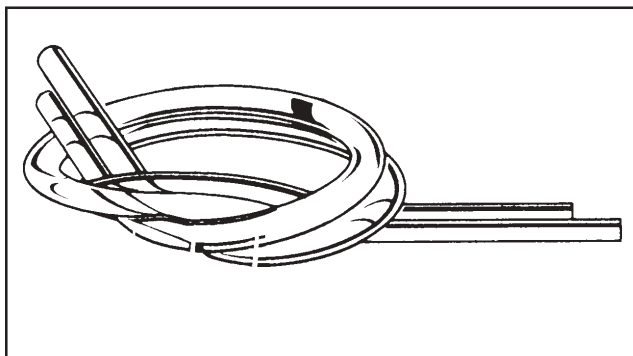
Item	Description	Part No.	Item	Description	Part No.
1	Seal Kit	823390	7	Reservoir Jar Kit	06909
2	Handle Kit	823373	8	Tubing (1/4" x 24") Kit	822392
3	Compound Gauge	06170	9	Rubber Suction Cup (3 pack)	822391
4	Rotary Valve Kit	823379	10	Vacuum Cap Kit	823357
5	Brake Bleeding Adapter Kit	822303	11	Feeder Cap Kit	823396
6	Auto Adapter Kit	822304	12	Adapter Plate Kit	823398

NOTE: Coat rubber components of pump with silicone oil (not supplied) prior to installing.

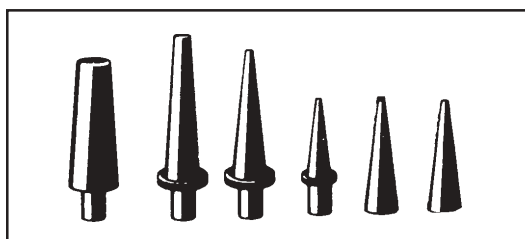
SILVERLINE DUAL CONVERTER
MODEL 04050



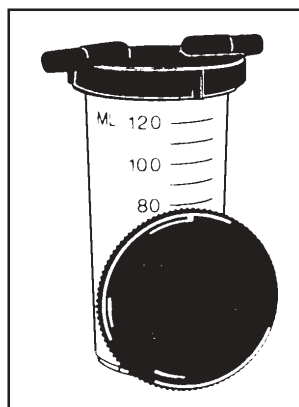
5



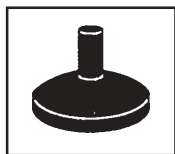
8



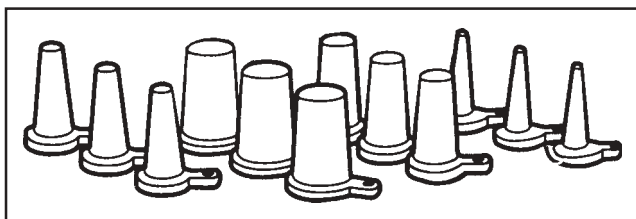
6



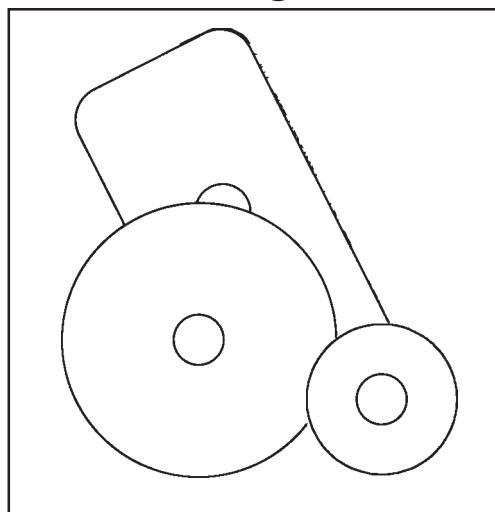
7



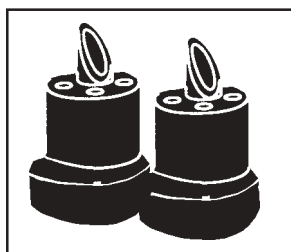
9



10



12



11



LIMITED WARRANTY-

Lincoln warrants the equipment it supplies to be free from defects in material and workmanship for one (1) year following the date of purchase. If equipment proves to be defective during this warranty period it will be repaired or replaced, at Lincoln's discretion, without charge provided that factory authorized examination indicates the equipment to be defective. To obtain repair or replacement, you must ship the equipment, transportation charges prepaid, with proof of date of purchase to a Lincoln authorized warranty and service center, within one (1) year following the date of purchase.

LIMITED 5 YEAR WARRANTY (Series 20, 25, 40 Bare Pumps, Heavy Duty and Golden Standard Bare Reels)-

Lincoln warrants series 20, 25, 40 bare pumps, and heavy duty and golden standard bare reels it supplies to be free from defects in material and workmanship for one (1) year following the date of purchase. If equipment proves to be defective during the warranty period it will be repaired, or replaced, at Lincoln's discretion, without charge provided that factory authorized examination indicates the equipment to be defective. To obtain repair or replacement, you must ship the equipment, transportation charges prepaid, with proof of purchase to a Lincoln Authorized Warranty and Service Center within one (1) year following the date of purchase. Additionally, in years two (2) and three (3) the warranty on this equipment is limited to repair with Lincoln paying parts and labor only. In years four (4) and five (5), the warranty on this equipment is limited to repair with Lincoln paying for parts only.

This warranty is extended to the original retail purchaser only. It does not apply to equipment damaged from accident, overload, abuse, misuse, negligence, faulty installation or abrasive or corrosive material, or to equipment repaired or altered by anyone not authorized by Lincoln to repair or alter the equipment. This warranty applies only to equipment installed and operated according to the recommendations of Lincoln or its authorized field personnel. No other express warranty applies.

Any implied warranties applicable to equipment supplied by Lincoln, including the warranties of merchantability and fitness for a particular purpose, will last for only one (1) year from the date of purchase. Some jurisdictions do not allow limitations on how long an implied warranty lasts, so the above limitation may not apply to you.

In no event shall Lincoln be liable for incidental or consequential damages. Lincoln's liability on any claim for loss or damages arising out of the sale, resale or use of equipment it supplies shall in no event exceed the purchase price. Some jurisdictions do not allow the exclusion or limitation of incidental or consequential damages, so the above limitation or exclusion may not apply to you.

This warranty gives you specific legal rights. You may also have other rights that vary by jurisdiction.

**SILVERLINE DUAL CONVERTER
MODEL 04050**



Americas:
One Lincoln Way
St. Louis, MO 63120-1578
USA
Phone +1.314.679.4200
Fax +1.800.424.5359

Europe/Africa:
Heinrich-Hertz-Str 2-8
D-69183 Walldorf
Germany
Phone +49.6227.33.0
Fax +49.6227.33.259

Asia/Pacific:
25 Int'l Business Park
#01-65 German Centre
Singapore 609916
Phone +65.562.7960
Fax +65.562.9967

LINCOLN
© Copyright 2003
Printed in USA
Web site:
www.mityvac.com