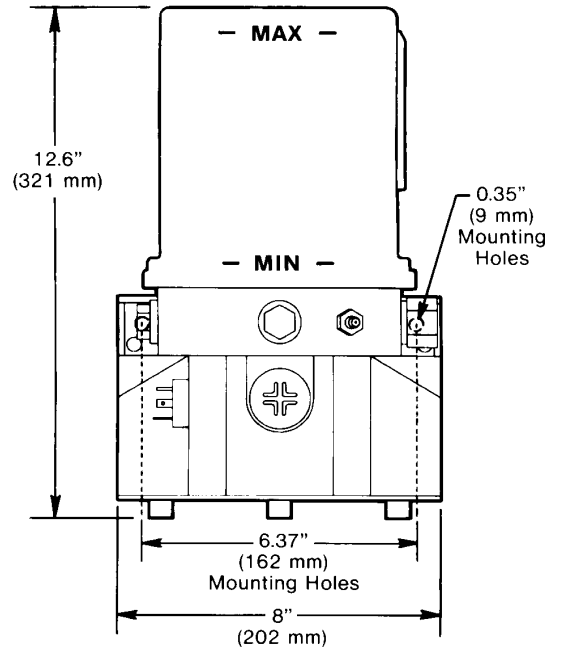
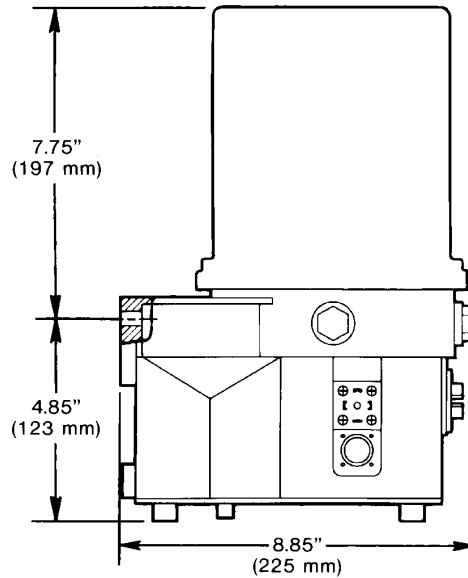


OWNER/OPERATOR MANUAL



WARNING
Do Not use pump without pressure relief valve.

SPECIFICATIONS

Electrical Requirements

Model 94013..... 12 VDC @ 3.5 amps
Enclosure Rating..... IP 6K9K - Protected from water sprayed in all directions.
Timer.....3.75 minutes "Off" Time and 30 minutes "On" time.
Pump Output.....244 in³/min (4 cc/min)
Outlet Connection..... 1/8" NPT (female)
Maximum Recommended
Operating Pressure..... 3600 psi (248 bar)
Reservoir Capacity..... 122 Cu. in. (2000 cc)
Lubricant.....Greases up to NLGI grade 2 (depending on the operating temperature and type of lubricant)

Temperature Range-13° F(-25° C) to +158° F(+70° C)
Pressure Relief Valve 4000 psi +/- 250 psi (276 bars) +/- (17 bars)

DESCRIPTION

The chassis lube pump is electrically operated and used in a progressive type centralized lubrication system. The pump consists of a pump housing, electric gear motor, a timer and

a plastic reservoir with stirring paddle. The high operating pressure allows the pump to supply lubricant up to NLGI 2 grease. **NOTE:** Pump Element especially designed for Hammer Paste Lubricant.

MOUNTING THE PUMP:

Select an easily accessible place of installation which allows access to the timer and lubricant reservoir filler fitting. The pump must be mounted vertically on an even surface by means of two bolts.

TO FILL RESERVOIR

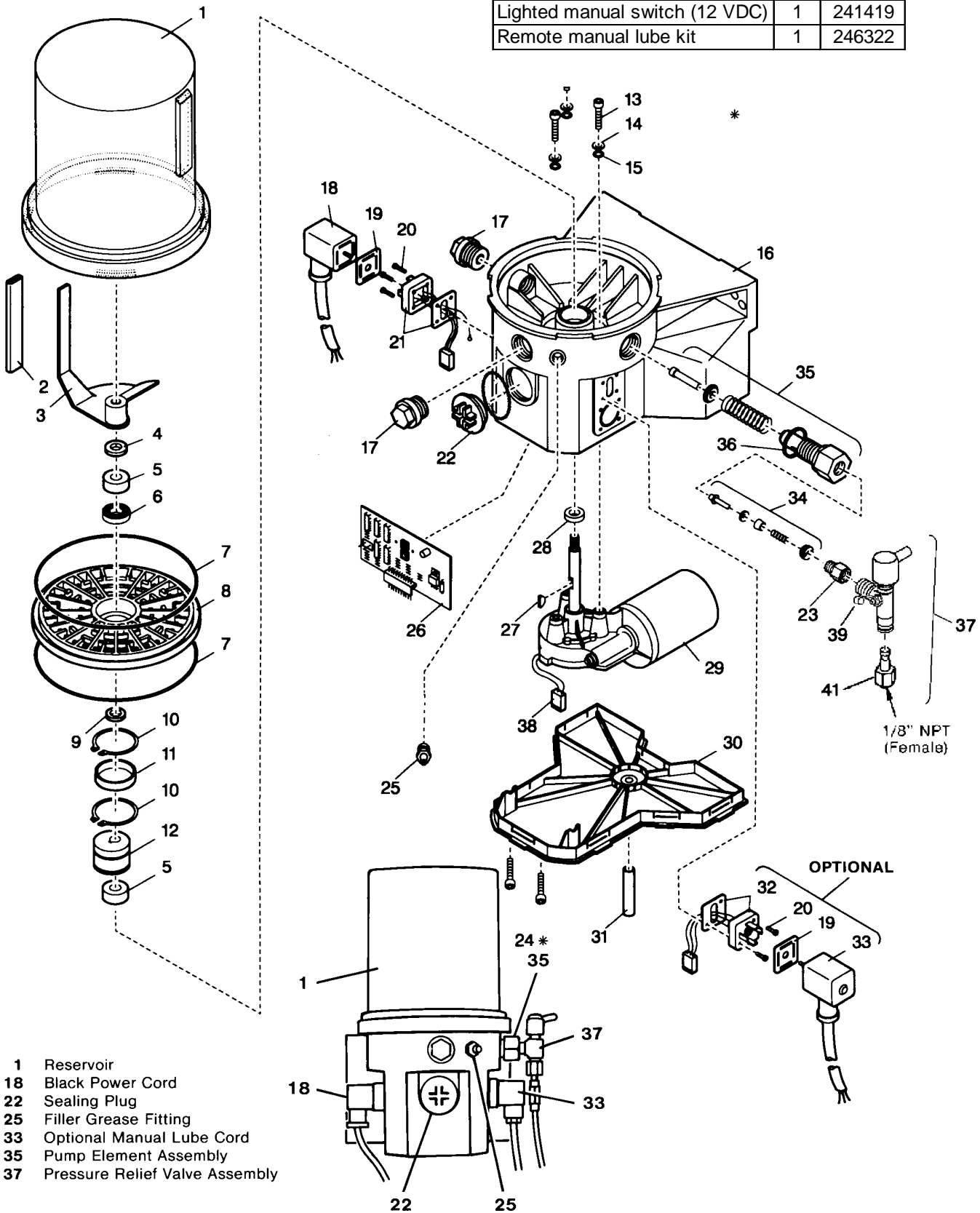
Fill the reservoir through the grease fitting located at the base of the reservoir, using a hand operated grease pump. Refill reservoir when grease reaches "MIN" mark located on the reservoir. Fill the reservoir up to the "MAX" mark located on the reservoir.

TO PRIME SYSTEM

Pump & Supply Line: After reservoir has been filled with recommended lubricant, loosen the supply line fitting. Operate the pump until lubricant flows from outlet, then tighten fitting.

Feed Lines: Pre-fill each feed line with lubricant before connecting to outlet of divider valve and bearing.

| Description | Qty. | Part No. |
|--------------------------------|------|----------|
| 8 amp fuse | 1 | 241052 |
| 8 amp fuse holder | 1 | 241053 |
| Lighted manual switch (12 VDC) | 1 | 241419 |
| Remote manual lube kit | 1 | 246322 |



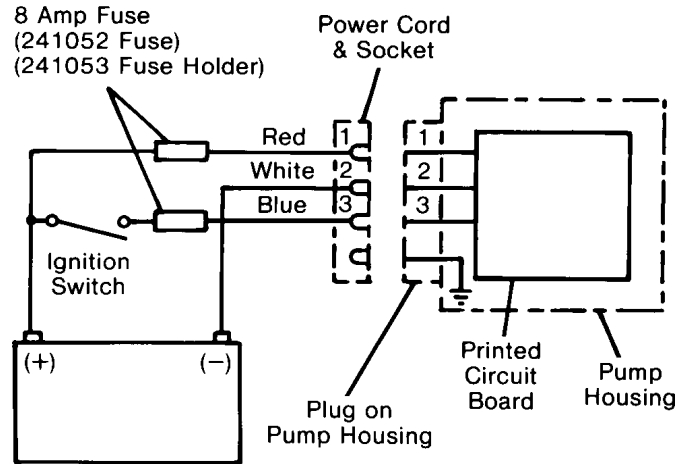
ELECTRICAL CONNECTIONS

Connect **black power cord** as follows:

Red wire connects to 8 amp fuse then to Battery (+).

White wire connects to Battery (-).

Blue wire connects to 8 amp fuse, to ignition switch, then to Battery (+).



| ITEM NO. | DESCRIPTION | QTY. | PART NUMBER /KIT NUMBER |
|----------|--------------------------|------|--|
| 1 | Reservoir | 1 | part of Kit 246432 |
| 2 | Hose | 1 | part of Kit 246433 |
| 3 | Stirring paddle | 1 | part of Kit 246433 |
| 4 | Washer | 1 | part of Kits 246433 & 246434 |
| 5 | Bearing ring | 2 | part of Kit 246434 |
| 6 | Bearing | 1 | part of Kit 246434 |
| 7 | O-ring | 2 | 246424, part of Kit 246432 |
| 8 | Intermediate plate | 1 | 246425 |
| 9 | Shim | 1 | part of Kit 246434 |
| 10 | Snap ring | 2 | part of Kit 246434 |
| 11 | Inner ring | 1 | part of Kit 246434 |
| 12 | Eccentric cam | 1 | 246427 |
| 13 | Screw | 3 | part of Kit 246435 |
| 14 | Washer | 3 | part of Kit 246435 |
| 15 | O-ring | 3 | part of Kits 246435 & 246437 |
| 16 | Pump housing | 1 | 246426 |
| 17 | Closure plug | 2 | 246422 |
| 18 | Socket with cord | 1 | part of Kit 246429 |
| 19 | Flat packing | 1 | part of Kits 246429, 246440, 246441 & 246431 |
| 20 | Screws | 4 | part of Kits 246440 & 246441 |
| 21 | Plug | 1 | part of Kit 246440 |
| 22 | Sealing plug | 1 | 246423 |
| 23 | Nipple | 1 | 226141055 |
| 24 | Screw | 10 | 206137967 |
| 25 | Grease fitting | 1 | 5050 |
| 26 | Printed circuit board | 1 | 246420 |
| 27 | Woodruff key | 1 | part of kit 246435 |
| 28 | Radial seal | 1 | part of Kits 246435 & 246437 |
| 29 | 12 VDC motor | 1 | part of Kit 246435 |
| 30 | Housing cover | 1 | 246421 |
| 31 | Hose | 1 | not sold |
| 32 | Plug | 1 | part of Kit 246441 |
| 33 | Socket | 1 | part of Kit 246431 |
| 34 | Check valve | 1 | part of Kit 600287501 |
| 35 | Pump element | 1 | part of Kit 600287501 |
| 36 | Gasket | 1 | part of Kit 600287501 |
| 37 | Pressure relief ass'y. | 1 | 270864© |
| 38 | Plug for motor | 1 | part of Kit 246435 |
| 39 | Grease cap | 1 | 242125 |
| 40 | Grease fitting | 1 | 249568 |
| 41 | Adapter for relief assy. | 1 | 249565 |
| 42 | Seal | 1 | 249569 |

REMOTE MANUAL LUBE PUSHBUTTON

If a remote manual lube pushbutton is required, order a 246322 Manual Lube Kit (consisting of a 32 ft. cord and plug) and a 241419 Lighted Manual Lube Switch.

IMPORTANT:

When using a Model 94013 to replace an old style 103 pump with remote manual lube switch, only the 246322 Manual Lube Kit is required.

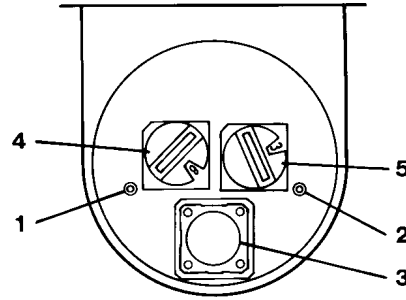
The wiring for the remote light used on the 103 pump must be changed for the new Model 94013. The existing wire that connects the light to the Battery (-) must be disconnected. Reconnect it to the Battery (+).

TIMER OPERATION

The "Off" timer begins accumulating time when the ignition switch closes. When the "Off" timer reaches the preset value, the pump will turn on. The pump remains activated for the period of time that is preset on the "On" timer.

When the ignition switch opens, the "Off" timer will retain its accumulated time for a period of five days. When the ignition switch closes during the five day period, the "Off" timer will resume timing from the accumulated time it reached prior to the ignition switch opening. If ignition switch is not closed before the end of five day period, timer will begin with an "On" period.

Remove Sealing Plug (item 22) to access manual lube switch or to view the system LEDs.



1. The LED marked "battery" lights when power is applied to the PC board.
 2. The LED marked "motor" lights when pumping lubricant.
 3. Depressing pushbutton for 2 seconds will initiate a manual lube event.
 4. "Off" time rotary switch factory set to 3.75 minutes.
 5. "On" time rotary switch factory set to 30 minutes.
- NOTE:** Do not change settings of "Off" or "On" time rotary switches.

SERVICE PARTS

| Part No. | Qty. | Description | Item No. |
|----------|------|---|----------|
| 249568 | 1 | Grease Fitting | 40 |
| 5050 | 1 | Grease Fitting | 25 |
| 242125 | 1 | Grease cap | 39 |
| 270864© | 1 | Pressure dief assy. | 37 |
| 246420 | 1 | Printed circuit board | 26 |
| 246421 | 1 | Housing cover | 30 |
| 246422 | 1 | Closure plug | 17 |
| 246423 | 1 | Sealing plug | 22 |
| 246424 | 1 | O-Ring | 7 |
| 246425 | 1 | Intermediate plate | 8 |
| 246426 | 1 | Pump housing | 16 |
| 246427 | 1 | Eccentric cam | 12 |
| 249565 | 1 | Adapter for relief assy. | 41 |
| 246429 | | Power Cord Kit contains: | |
| | 1 | Socket with cord | 18 |
| | 1 | Flat packing | 19 |
| 246431 | | Optional Manual Lube Cord Set contains: | |
| | 1 | Flat packing | 19 |
| | 1 | Socket with cord | 33 |
| 246432 | | Reservoir Kit contains: | |
| | 1 | Reservoir | 1 |
| | 1 | O-Ring | 7 |
| 246433 | | Paddle Kit contains: | |
| | 1 | Hose | 2 |
| | 1 | Stirring paddle | 3 |
| | 1 | Washer | 4 |

| Part No. | Qty. | Description | Item No. |
|-----------|------|---|----------|
| 246434 | | Bearing & Seal Kit contains: | |
| | 1 | Washer | 4 |
| | 2 | Bearing Ring | 5 |
| | 1 | Bearing | 6 |
| | 1 | Shim | 9 |
| | 2 | Snap ring | 10 |
| | 1 | Inner Ring | 11 |
| 249569 | 1 | Seal | 42 |
| 226141055 | 1 | Nipple | 23 |
| 206137967 | 10 | Screw | 24 |
| 246435 | | 12 VDC Motor kit contains: | |
| | 3 | Screw | 13 |
| | 3 | Washer | 14 |
| | 3 | O-ring | 15 |
| | 1 | Woodruff Key | 27 |
| | 1 | Radial seal | 28 |
| | 1 | 12 VDC motor | 29 |
| | 1 | Plug for motor | 38 |
| 246437 | | Housing Seal kit contains: | |
| | 3 | O-Ring | 15 |
| | 1 | Radial seal | 28 |
| 246440 | | Power Plug Kit contains: | |
| | 1 | Flat packing | 19 |
| | 4 | Screws | 20 |
| | 1 | Plug | 21 |
| 246441 | | Optional Manual Lube Plug Set contains: | |
| | 1 | Flat packing | 19 |
| | 4 | Screws | 20 |
| | 1 | Plug | 32 |
| 600287501 | | Pump Element Assembly contains: | |
| | 1 | Check valve | 34 |
| | 1 | Pump element | 35 |
| | 1 | Gasket | 36 |

Americas:
One Lincoln Way
St. Louis, MO 63120-1578
USA
Phone +1.314.679.4200
Fax +1.800.424.5359

Europe/Africa:
Heinrich-Hertz-Str 2-8
D-69183 Walldorf
Germany
Phone +49.6227.33.0
Fax +49.6227.33.259

Asia/Pacific:
25 Int'l Business Park
#01-65 German Centre
Singapore 609916
Phone +65.562.7960
Fax +65.562.9967



© Copyright 1999
Printed in USA
Web site:
www.lincolnindustrial.com