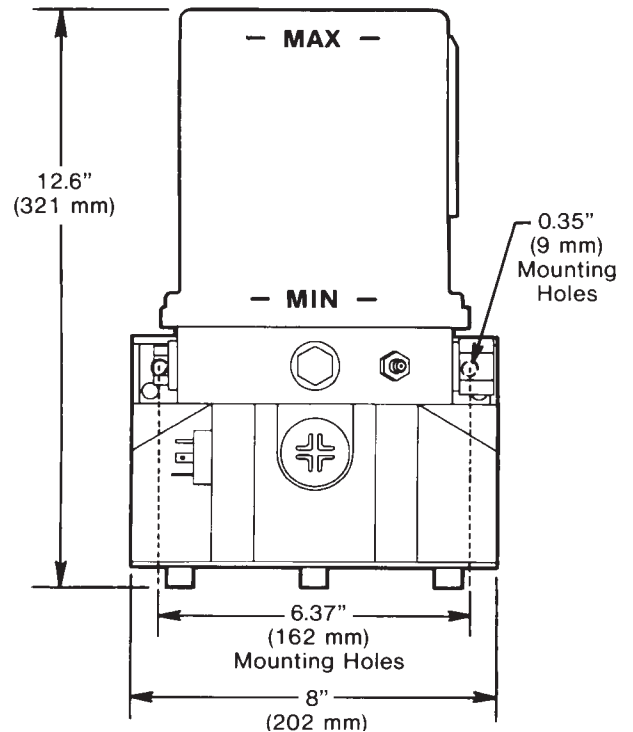
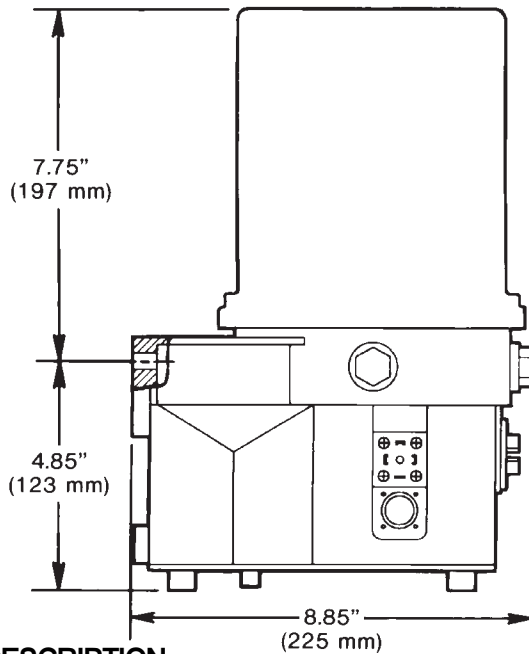


**OWNER/OPERATOR MANUAL**



**DESCRIPTION**

The lube pump is electrically operated and used in a progressive type centralized lubrication system. The pump consists of a pump housing, electric gear motor and a plastic reservoir with stirring paddle. The high operating pressure allows the pump to supply lubricant up to NLGI 2 grease.

When power is applied to the pump it will dispense lubricant.

**MOUNTING THE PUMP**

Select an easily accessible place of installation which allows access to the lubricant reservoir filler fitting. The pump must be mounted vertically on an even surface by means of two bolts.

**TO FILL RESERVOIR**

Fill the reservoir through the grease fitting located at the base of the reservoir, using a hand operated grease pump. Refill reservoir when grease reaches "MIN" mark located on the reservoir. Fill the reservoir up to the "MAX" mark located on the reservoir.

**TO PRIME SYSTEM**

**Pump & Supply Line:** After reservoir has been filled with recommended lubricant, loosen the supply line fitting. Operate the pump until lubricant flows from outlet, then tighten fitting.

**Feed Lines:** Pre-fill each feed line with lubricant before connecting to outlet of divider valve and bearing.

**WARNING**  
Do Not use pump without pressure relief valve.

**SPECIFICATIONS**

**Electrical Requirements**

- Model 94212 ..... 12 VDC @ 3.5 amps
- Model 94224 ..... 24 VDC @ 2 amps
- ©Enclosure Rating ..... IP 6K9K - Protected from water sprayed in all directions.

- Pump Output ..... 0.146 cu. in./min (2.4 cm/min)
- Outlet Connection ..... 1/8" NPT (female)

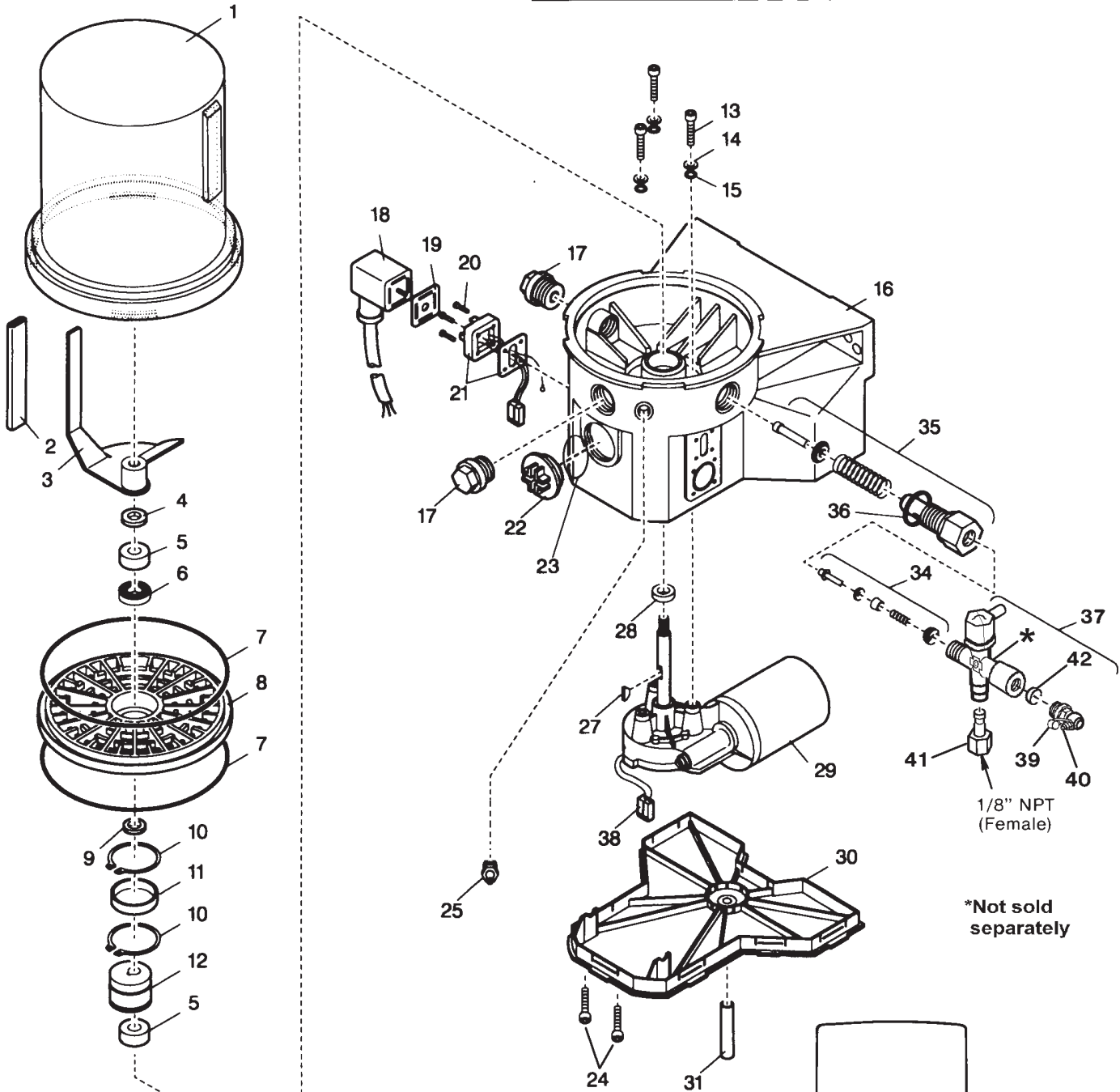
**Maximum Recommended**

- Operating Pressure ..... 3600 psi (248 bar)
- Reservoir Capacity ..... 122 cu. in. (2000 cc)
- Lubricant ..... Greases up to NLGI grade 2 (depending on the operating temperature and type of lubricant)
- Temperature Range ..... -13° F (-25°C) to +158° F (+70°C)
- Pressure Relief Valve ..... 4000 psi +/- 250 psi (276 bars) +/- (17 bars)

© Indicates Change

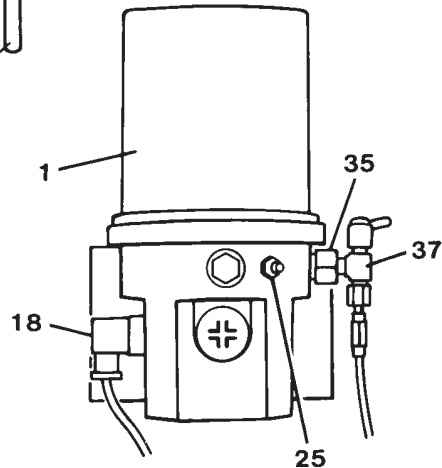
## SYSTEM ACCESSORIES

Description	Qty.	Part No.
8 amp fuse	1	241052
8 amp fuse holder	1	241053



© Indicates Change

- 1 Reservoir
- 18 Black Power Cord
- 25 Filler Grease Fitting
- 35 Pump Element Assembly
- 37 Pressure Relief Valve Assembly



\*Not sold separately

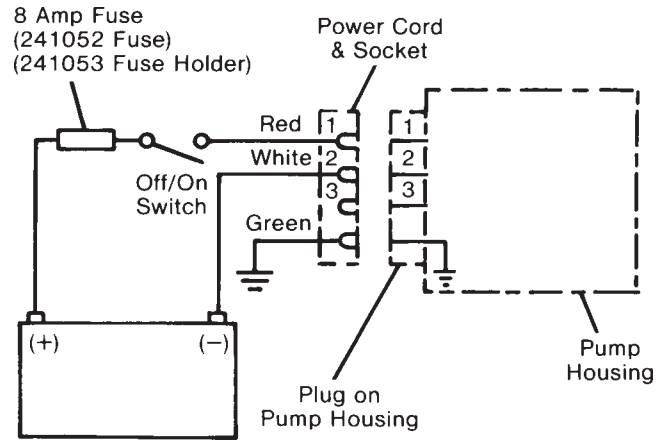
## ELECTRICAL CONNECTIONS

Connect **black power cord** as follows:

**Red wire** connects to Off/On switch, to 8 amp fuse then to Battery (+).

**White wire** connects to Battery (-).

**Green wire** connects to grounding wire.



© Indicates Change

ITEM NO.	DESCRIPTION	QTY.	PART NUMBER /KIT NUMBER
1	Reservoir	1	part of Kit 246432
2	Hose	1	part of Kit 246433
3	Stirring paddle	1	part of Kit 246433
4	Washer	1	part of Kits 246433 & 246434
5	Bearing ring	2	part of Kit 246434
6	Bearing	1	part of Kit 246434
7	O-ring	2	246424, part of Kit 246432
8	Intermediate plate	1	246425
9	Shim	1	part of Kit 246434
10	Snap ring	2	part of Kit 246434
11	Inner ring	1	part of Kit 246434
12	Eccentric cam	1	246427
13	Screw	3	part of Kits 246435 & 246436
14	Washer	3	part of Kits 246435 & 246436
15	O-ring	3	part of Kits 246435, 246436 & 246437
16	Pump housing	1	246426
17	Closure plug	2	246422
18	Socket with cord	1	part of Kit 246430
19	Flat packing	1	part of Kits 246430, 246550
20	Screws	4	part of Kits 246550
21	Plug	1	part of Kit 246550
22	Sealing plug	1	246423
23	O-ring	1	219141382
24	Screw	10	206137967©
25	Grease fitting	1	5050
26	Printed circuit board	1	246420
27	Woodruff key	1	part of Kits 246435 & 246436
28	Radial seal	1	part of Kits 246435, 246436 & 246437
29	12 VDC motor	1	part of Kit 246435
29	24 VDC motor	1	part of Kit 246436
30	Housing cover	1	246421
31	Hose	1	not sold
32	<b>UNUSED NUMBER</b>		
33	<b>UNUSED NUMBER</b>		
34	Check valve	1	part of Kit 600268762
35	Pump element	1	part of Kit 600268762
36	Gasket	1	part of Kit 600268762
37	Pressure relief ass'y.	1	249567©
38	Plug for motor*	1	part of Kits 246435 & 246436
39	Grease cap	1	242125
40	Grease fitting	1	249568©
41	Adapter for relief assy.	1	249565©
42	Seal	1	249569©

\*Not required for Models 94212 & 94224

**SERVICE PARTS/KITS**

Part No.	Qty.	Description	Item No.
249568©	1	Grease fitting	40
5050	1	Grease fitting	25
242125	1	Grease cap	39
249567©	1	Pressure relief assy.	37
246422	1	Closure plug	17
246423	1	Sealing plug	22
246424	1	O-ring	7
246425	1	Intermediate plate	8
246426	1	Pump housing	16
246427	1	Eccentric cam	12
249565©	1	Adapter for relief assy.	41
249569©	1	Seal	42
246430	1	Power Cord Kit contains: Socket with cord	18
	1	Flat packing	19
246432	1	Reservoir Kit contains: Reservoir	1
	1	O-ring	7
246433	1	Paddle Kit contains: Hose	2
	1	Stirring paddle	3
	1	Washer	4
246434	1	Bearing & Seal Kit contains: Washer	4
	2	Bearing ring	5
	1	Bearing	6
	1	Shim	9
	2	Snap ring	10
	1	Inner ring	11
246435	3	12 VDC Motor Kit contains: Screw	13
	3	Washer	14
	3	O-ring	15
	1	Woodruff key	27
	1	Radial seal	28
	1	12 VDC motor	29
	1	Plug for motor*	38
246436	3	24 VDC Motor Kit contains: Screw	13
	3	Washer	14
	3	O-ring	15
	1	Woodruff key	27
	1	Radial seal	28
	1	24 VDC motor	29
	1	Plug for motor	38
246437	3	Housing Seal Kit contains: O-ring	15
	1	Radial seal	28
246550	1	Power Plug Kit contains: Flat packing	19
	4	Screws	20
	1	Plug	21
206137967©	10	Screw	24
219141382	1	O-ring	23
600268762	1	Pump Element Assy. contains: Check valve	34
	1	Pump element	35
	1	Gasket	36

\*Not required for Models 94212 & 94224

© Indicates Change

**RETAIN THIS INFORMATION FOR FUTURE REFERENCE**

When ordering replacement parts, list: Part Number, Description, Model Number and Series Letter.  
LINCOLN provides a Distributor Network that stocks equipment and replacement parts.