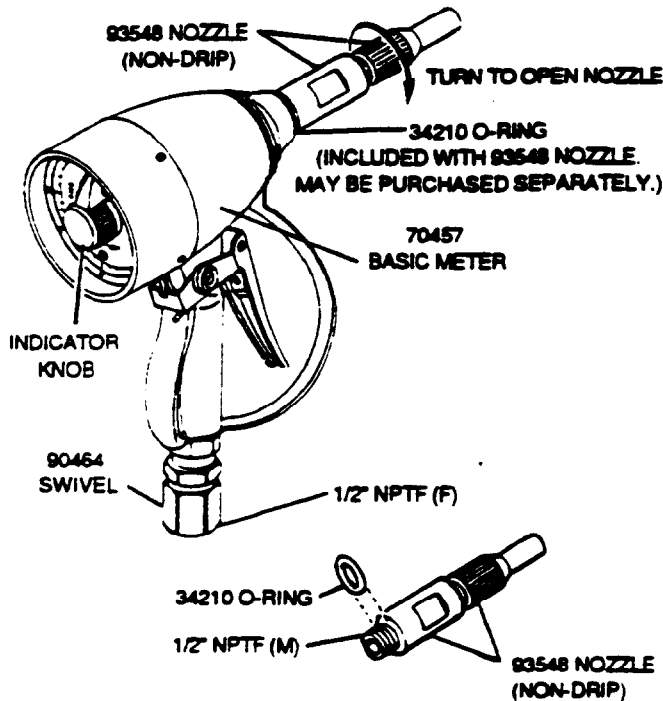


OWNER/OPERATOR MANUAL

SPUR GEAR DRIVE — PRESET — TOTALIZING — 1000 PSI MAX. OPERATING PRESSURE



| MODEL | USE | MEASURE |
|-------|-----|--------------------|
| 3868 | Oil | 60 - Gallons Total |

OPERATION

Turn preset indicator knob counterclockwise to the quantity required for the application.

NOTE: Indicator knob can only be turned in a counterclockwise direction when setting the quantity.

Squeeze the trigger handle to dispense the desired amount of fluid. The indicator knob will rotate clockwise and the control valve will shut off after the preset amount has been dispensed.

If oil continues to leak from nozzle tip after the trigger is released, oil is bypassing Valve Seat Assembly (Item 29). Replace Valve Seat Assembly if worn or damaged. Check Non-Drip Nozzle (93548).

To remove Valve Seat Assembly, disconnect delivery hose and Swivel (90464) from Control Valve. Unscrew Adapter (33) and remove parts.

Oil may be bypassing O-Ring (34210) located between Non-Drip Nozzle (93548) and Cap (Item 37). Replace O-Ring if worn or damaged.

IMPORTANT

THIS UNIT IS NOT FOR RESALE OF PRODUCT AND IS NOT SUBJECT TO RESALE TOLERANCES.

NEW METERING SYSTEMS MUST BE PURGED PRIOR TO INSTALLATION OF METERING CONTROL VALVE TO CLEAN SYSTEM OF CONTAMINATES.

BASIC METER (TOTALIZING)

| ITEM | PART NO. | QUAN | DESCRIPTION | ITEM | PART NO. | QUAN | DESCRIPTION |
|------|----------|------|------------------------|------|----------|------|----------------------------------|
| 1 | 242911A | 1 | Shroud protector | 21 | 236400 | 1 | Pin lock pawl |
| 2 | 68410-12 | 1 | Shroud | 22 | 68410-2 | 2 | Screw |
| 3 | 66871-5 | 4 | Shroud screw | 23 | 70457-8 | 2 | Washer |
| 4 | 242913 | 1 | Knob assembly | 24 | 68410-4 | 2 | Quad ring |
| 5 | 70247 | 1 | Dial assembly | 25 | 69304-2 | 1 | Cam |
| 6 | 66871-3 | 2 | Clutch spring | 26 | 69304-4 | 1 | Trigger assembly |
| 7 | 66871-4 | 2 | Clutch roller | 27 | 69304-21 | 1 | Hand guard |
| 8 | 236686 | 1 | Compound gear assembly | 28 | 68410-6 | 1 | Valve sleeve assembly |
| 9 | 69304-10 | 1 | Preset knob drive cam | 29 | 68410-25 | 1 | Valve seat assembly |
| 10 | 69428-18 | 1 | Gear and pinion | 30 | 69304-3 | 1 | Spring |
| 11 | 69428-15 | 1 | Worm assembly | 31 | 68410-27 | 1 | Screen |
| 12 | 50541 | 1 | Set screw | 32 | 243176 | 1 | O-ring |
| 13 | 69304-23 | 1 | Washer | 33 | 243175 | 1 | Adapter |
| 14 | 70457-7 | 4 | Screw | 34 | 236683 | 1 | Upper driving pawl gear assembly |
| 15 | 69428-16 | 1 | Register assembly | 35 | 68410-15 | 1 | Chamber and piston assembly |
| 16 | 69304-14 | 1 | E-ring | 36 | 66871-12 | 1 | O-ring |
| 17 | 69304-5 | 1 | Lock bar | 37 | 68410-14 | 1 | Cap |
| 18 | 69304-13 | 1 | Lock pawl | 38 | 69428-19 | 1 | Gear and pinion |
| 19 | 69304-12 | 1 | Lock pawl spring | | | | |
| 20 | 237388 | 1 | Packing kit | | | | |

▲ May be purchased separately

One Lincoln Way
St. Louis, Missouri 63120-1578
Customer Service (314) 678-4300

Copyright 1988
Printed in U.S.A.

Section W Meters

417756

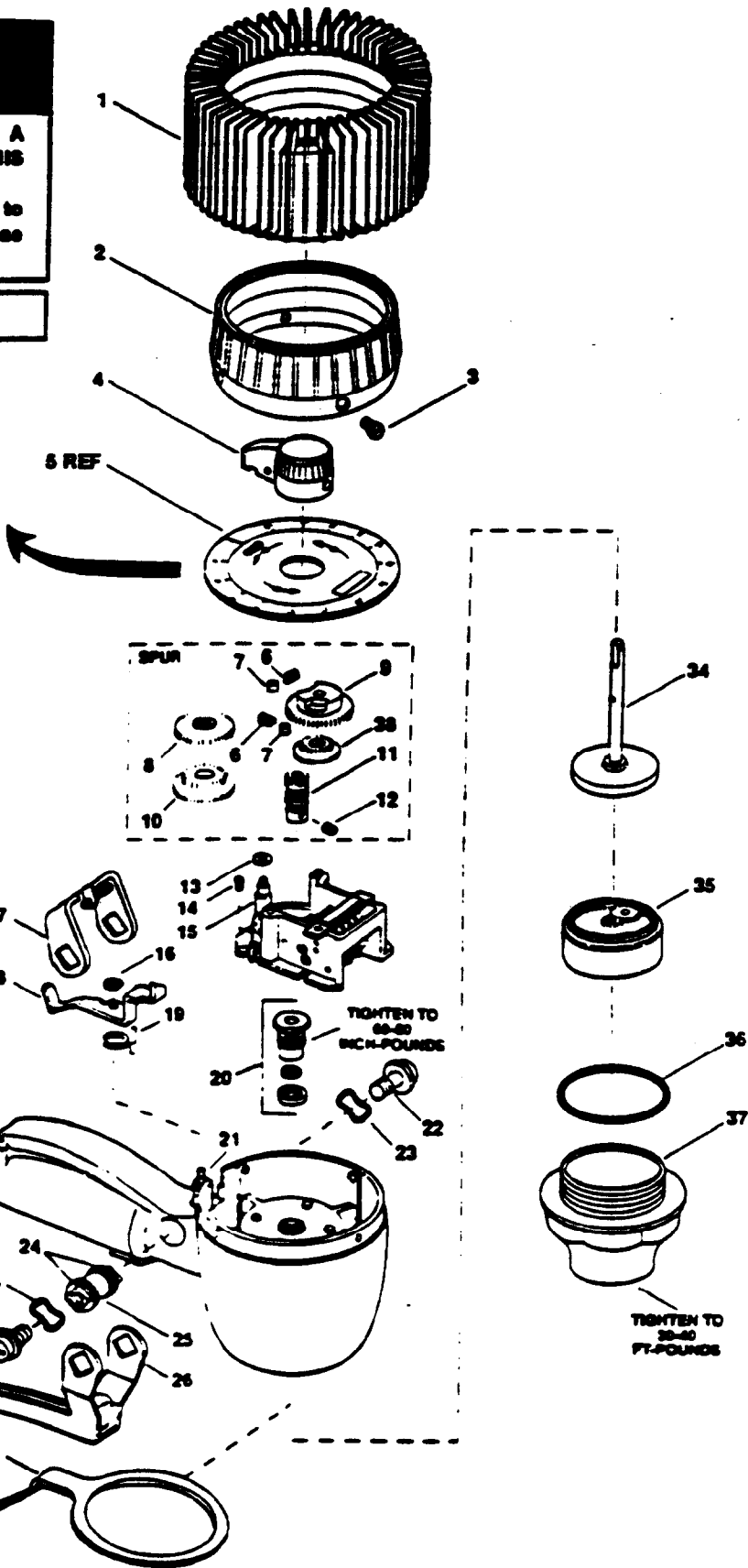
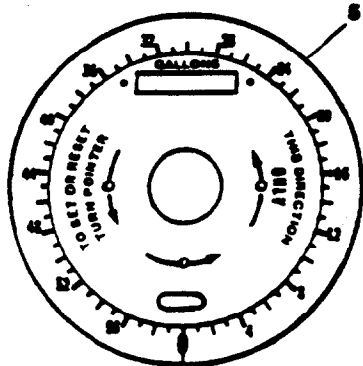


CAUTION

DO NOT TURN POINTER IN A CLOCKWISE DIRECTION AS THIS WILL DAMAGE METER.

The pointer can only be returned to the zero step in a counterclockwise direction after delivery.

ONE GALLON DIAL GRADUATION.



RETAIN THIS INFORMATION FOR FUTURE REFERENCE.

When ordering replacement parts, list: part number, description, model number and series letter. Contact Lincoln Customer Service, One Lincoln Way, St. Louis, MO 63120-1578, (314) 679-4300 for your nearest authorized service center.